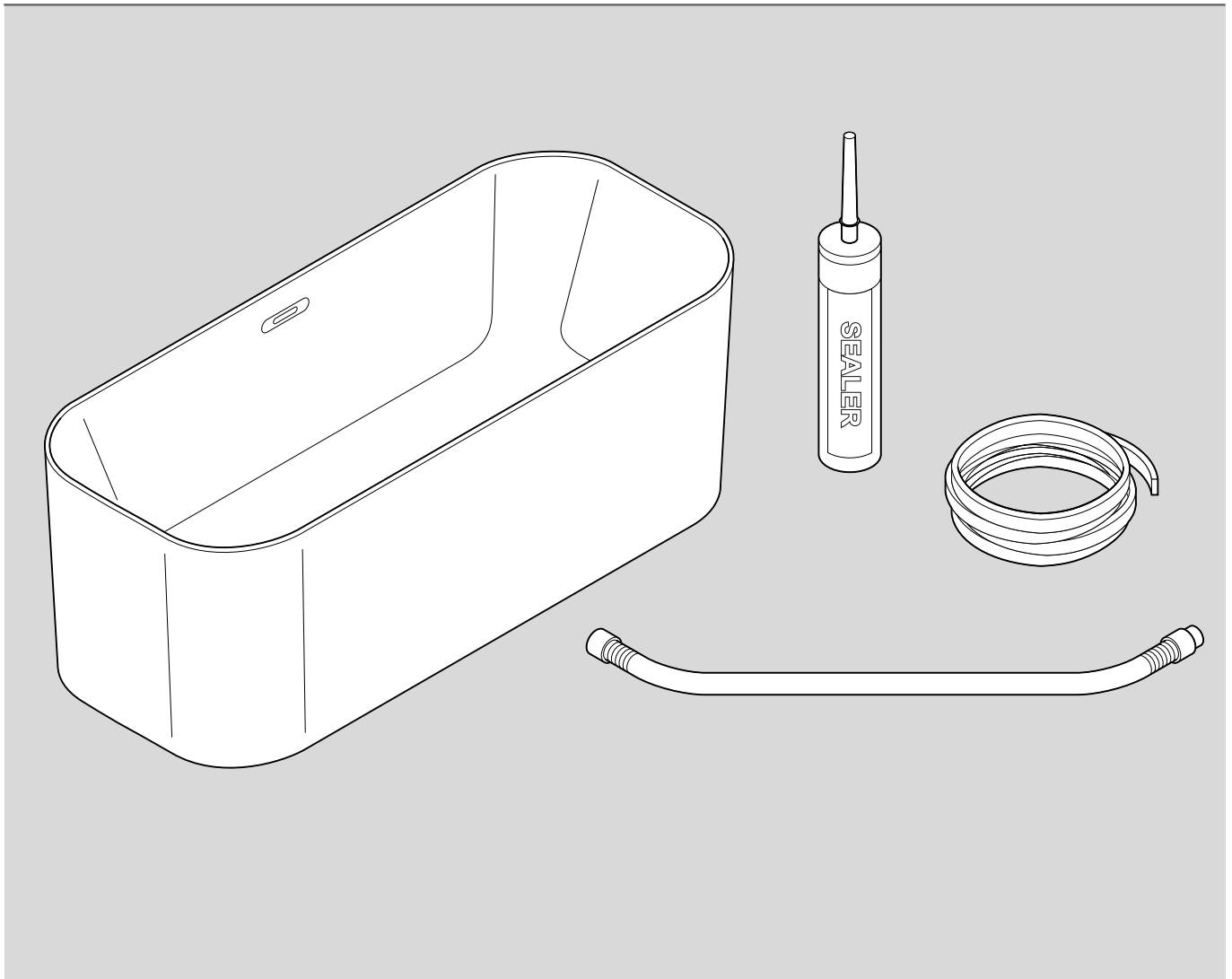


Finion



- EN Installation instructions
- DE Installationsanleitung
- FR Manuel d'installation
- IT Istruzioni di installazione
- NL Installatiehandleiding

Publishing Information

Villeroy & Boch AG

Saaruferstrasse

66693 Mettlach

Germany

Tel: +49 (0) 68 64 / 8 10

Email: information@villeroy-boch.com

www.villeroy-boch.com

Downloading and use of images from our pages is not permitted without the written permission of Villeroy & Boch AG.

Board

Frank Göring (Chairman)

Andreas Pfeiffer

Nicolas Luc Villeroy

Dr. Markus Warncke

Supervisory Board

Yves Elsen (Chairman of the Supervisory Board)

Register

District Court Saarbrücken, HRB 63610

Tax Registration Number

Villeroy & Boch AG: 020/100/00087

Copyright

Villeroy & Boch AG

Liability

The content of our pages has been prepared with great care. However, we cannot accept responsibility for the correctness, completeness and up-to-date status of the content. Villeroy & Boch AG is responsible for its own content, which it makes available for use in accordance with the general legal statutes. This content of its own is to be differentiated from the content provided by other service providers using cross-references ("links"). If we become aware that the linked contents would trigger civil or criminal responsibility, we will delete these links.



This product supports all CE-marking criteria. The declaration of conformity certificate can be obtained from Villeroy & Boch.

Contents

| | | |
|----------|---|-----------|
| 1 | General Data..... | 4 |
| 1.1 | Conventions used | 4 |
| 1.2 | Target groups | 5 |
| 1.3 | Guarantee | 5 |
| 1.4 | Maintenance and care | 6 |
| 2 | Safety..... | 6 |
| 2.1 | Intended use | 6 |
| 2.2 | Reasonably predictable misuse | 6 |
| 2.3 | General safety instructions | 7 |
| 3 | Technical data..... | 8 |
| 3.1 | Electrical connection | 8 |
| 4 | Scope of supply / tools required..... | 9 |
| 5 | Installation..... | 10 |
| 6 | Operation..... | 11 |
| 6.1 | Operation Villeroy & Boch Mood Light / Emotion controller | 11 |
| 6.2 | Servicing the Villeroy & Boch Emotion controller | 12 |
| 6.3 | Bathwater temperature | 13 |
| 7 | Decommissioning..... | 14 |

1 General Data

Read the installation and operating instructions carefully before installing and using the unit. The installation and operating instructions should always be kept in a location that is easily accessible by the user.

Check the products for damage and completeness before installation. Any apparent faults can no longer be rectified after installation has taken place.

1.1 Conventions used

Safety instructions



Warning!

Warning of potential danger.
Severe bodily injury or death is possible.



Caution!

Warning of potential dangerous situations.
Slight bodily injury or material damage is possible.



Important

Other useful information for application instructions.

Action instructions

Steps to be carried out are shown as a numbered list. The sequence of the steps must be complied with.

Example:

1. Handling step
2. Handling step

The results of an action instruction are shown as follows:

Example:

- ▶ Arrow
- ▶ Arrow

Lists

Lists without a fixed chronological sequence are shown as sets of bullet points.

Example:

- Item 1
- Item 2

Additional functions

Some features do not come as standard on all bathtubs.

These options are marked in this manual with the following symbol:



1.2 Target groups

The target groups of these installation and operating instructions are installers, electricians and users.

Installers:

Under authorisation by the user, these experts carry out work for which they have the necessary expertise, gained from a professional education or comparable practical training, in order to be able to carry out the work which is encountered in an expert and appropriate manner with regard to safety and risk. Their work is governed by the instruction, checking and responsibility of trained supervisory/expert personnel appointed by the user.

Electricians:



These experts are, on account of their technical training, knowledge and experience, as well as their knowledge of the applicable standards and stipulations, capable of carrying out work on electrical installations and of detecting and avoiding possible dangers independently. The electricians are trained specially for the site where they are active, and they are familiar with the relevant standards and stipulations.

Users:

This appliance can be used by children aged from 8 years and above and persons with reduced physical, sensory or mental capabilities or lack of experience and knowledge if they have been given supervision or instruction concerning use of the appliance in a safe way and way and understand the hazards involved. Children shall not play with the appliance.



Warning!

Cleaning and user maintenance shall not be made by children without supervision.



Important

The bathtub must not be used by very young children (0-3 years) and not be used by young children (3-8 years) without continuous supervision.

1.3 Guarantee

We provide a 10 year factory guarantee from the date of acquisition on this quality product.

The guarantee covers: factory faults, colour variations and/or cracking as a result of material fatigue and deformation caused by hot water. The guarantee is restricted to the repair or replacement of the Villeroy & Boch products delivered.

The optional Mood Light is covered by a guarantee of 3 years.

The guarantee is only applicable if the product has been installed and serviced in accordance with our installation and servicing instructions. It becomes invalid as soon as holes/installations for Whirlpool systems, for example, are made by third party suppliers and if holes/installations are made that are not in accordance with the installation instructions associated with the product.

Please consult your installer if you need to make use of the guarantee. The guarantee does not include consequential damages or installation and removal costs.

1.4 Maintenance and care

Cleaning

Your bathtub will remain handsome for many years if you clean it regularly using a liquid cleaning agent (Sunlight Citrus, Lux, Solo) and a sponge or soft brush. If your bath has a matte finish, then you should best clean it using soap and lots of water.

Removing obstinate spots

Obstinate spots are best removed using a sponge and a liquid cleaning agent (such as Viss, Cif, Vif), diluted with water. Scale deposits are best removed using a solution of vinegar. Bathtubs having a matte external surface must never be cleaned using cleaning agents such as Viss, Cif or Vif.

Resistance to household chemicals

The Quarryl® bathtub is resistant to all commercially available chemicals.

Repair of damage

If the surface gets damaged it may, in certain circumstances, be possible for this damage to be rectified by our customer service. Please contact our sales organisation to proceed with this.

2 Safety

2.1 Intended use

Finion is a free-standing Quarryl® bathtub to be used for bathing in domestic use.

Intended use also includes:

- compliance with all the instructions in these operating/installation instructions
- compliance with the inspection and maintenance tasks
- exclusive use of original parts

2.2 Reasonably predictable misuse

Any use other than those listed under "intended use", or use which goes beyond this, is considered to be non-intended.

For damage arising from non-intended use, the operator himself is exclusively responsible, and the manufacturer does not accept any liability whatsoever.



Important

Do not crush or kink the cable.

2.3 General safety instructions



Applies only for products with the “Mood Light” function.



Warning!

Danger of electrocution!

Touching live parts can lead to severe injury and even death.

- The unit is designed to operate using 230 V 50 Hz alternating current. Installation of product only to be performed by a qualified installer.
- When carrying out work, make sure that the lead is disconnected from the mains and secured against reconnection.



Warning!

Danger of electrocution!

Touching live parts can lead to severe injury and even death.

- Live parts, excluding parts supplied by SELV circuits at voltages not exceeding 12 V, must not be accessible to a bathing person.



Warning!

Danger of electrocution when cleaning and during maintenance!

Touching live components during cleaning and maintenance can lead to severe injury and even death.

- When cleaning and carrying out maintenance work, make sure not to touch live parts.



Warning!

Danger of electrocution!

Live components that have not been fitted or fixed properly can lead to severe injury and even death.

- The appliance is only to be used with the power supply unit provided with the appliance.
- All electrical, electromagnetic components of the product and that are required for installation (with the exception of the remote control) must be securely attached to the bath/ floor/ wall in accordance with the installation instructions and National regulations.
- To prevent injury and even death, all Live parts must be securely attached to the bath/ floor/ wall in accordance with the installation instructions and National regulations.
- Other parts incorporating electrical components, except remote control devices, must be located or fixed so that they cannot fall into the bath.

3 Technical data

FINION bathtub

| | |
|---|---------------------|
| Dimensions of the Finion bathtub: (L/W/H/D) | 1700/700/633/480 mm |
| Weight of the Finion bathtub | 110 kg |

Option Mood Light

| | |
|---|---|
| Nominal voltage | 230 VAC ($\pm 10\%$), 50 Hz (protection class II, IPX5) |
| Nominal power consumption | 30 W |
| Signal frequency | 2,4 GHz |
| Maximum distance between transmitter and receiver | 10 m |
| Operating temperature range | 5 ... 40 °C |
| Humidity | 5 % - 95 % non-condensing / no dew formation |

Villeroy & Boch Emotion controller (remote control)

| | |
|-------------------------------|--|
| Nominal voltage | 3 V \pm 20 % DCV; Voltage spike protection: No |
| Battery | CR 2032 3 V |
| Incorrect polarity protection | Mechanically: yes; electrically: no |
| Output interface | Serial protocol, remote control 2.4 GHz |
| Reaction time | typically 100 ms |
| Power consumption in standby | typically 0,5 μ A |
| Ambient operating temperature | 0 - 50 °C |
| Humidity | max. 95 % non-condensing |
| IP protection rating | IPX4 |
| Remote range | typically 15 m indoors |

Water inlet

| | |
|------------------------------------|-------------|
| Minimum and maximum water pressure | not limited |
|------------------------------------|-------------|

3.1 Electrical connection

| | |
|-----------------|--|
| Netherlands | as per NEN 1010 |
| Germany | as per DIN/VDE 0100 Part 701 2008-10 |
| Belgium | as per A.R.E.I. art. 86, 90, 93 |
| England | as per BS 7671 |
| France | as per NF C 15-100 |
| other countries | as per the applicable national regulations |



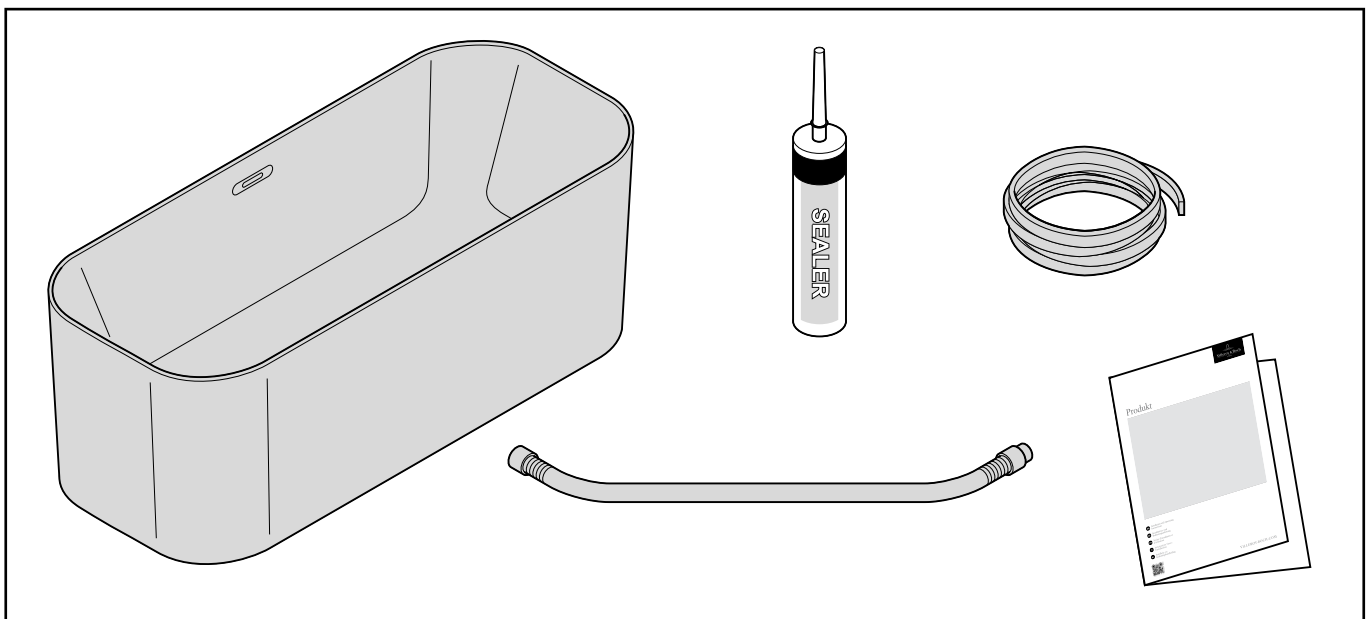
Important

- The system meets the requirements set for Class II equipment.
- Type Y, connection method involving special cable: If the supply cord is damaged, it must be replaced by the manufacturer, its service agent or similarly qualified persons in order to avoid a hazard.
- All parts must be mounted in the correct zone. The space beneath the bath is not considered to be one of these zones if the space is closed by means of partitions which can only be removed with the aid of tools.

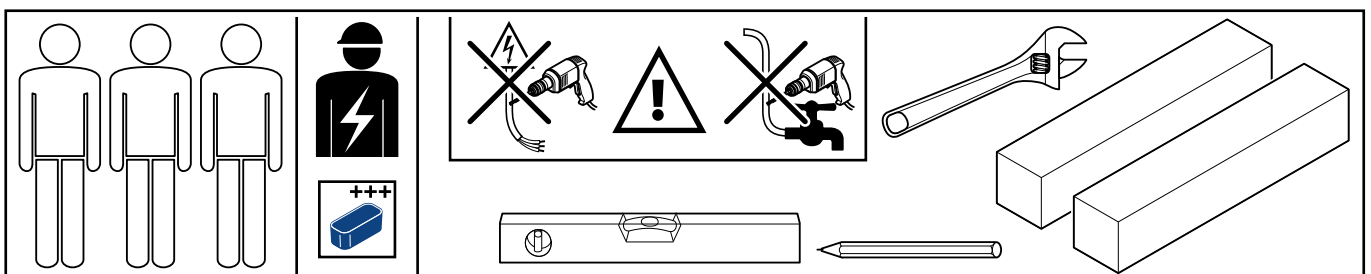
4 Scope of supply / tools required

Check that delivery contents are complete on arrival.

Scope of supply



Tools required



5 Installation



Applies only for products with the “Mood Light” function.



Warning!

Danger of electrocution!

Touching live parts can lead to severe injury and even death.

- The unit is designed to operate using 230 V 50 Hz alternating current. Installation of product only to be performed by a qualified installer.
- When carrying out work, make sure that the lead is disconnected from the mains and secured against reconnection.



Warning!

Danger of electrocution!

Live components that have not been fitted or fixed properly can lead to severe injury and even death.

- All electrical, electromagnetic components of the product and that are required for installation (with the exception of the remote control) must be securely attached to the bath/floor/wall in accordance with the installation instructions and National regulations.
- To prevent injury and even death, this product and other Live parts must be securely attached to the bath/floor/wall in accordance with the installation instructions and National regulations.
- Other parts incorporating electrical components, except remote control devices, must be located or fixed so that they cannot fall into the bath.



Warning!

Danger of electrocution!

Touching live parts can lead to severe injury and even death.

- The power supply should be fitted with a cut-off switch which:
 - is placed beneath the bath in the neighbourhood of the control box.
 - must switch both the live and the neutral.
 - must have a contact opening greater than 3 mm in the switched-off position.
 - complies with the safety requirements of IPX5.
- The electrical connection shall be protected by a 16 A fuse and be only supplied through a Residual Current Circuit Breaker (RCCB) (can not be placed in zones 1, 2 or 3) having a rated residual operating current not exceeding 30 mA ($I_n = 25$ A), Class A.



Important

Never put the product near or above heat resources such as radiators, heat registers, stoves or other types of devices that produce heat.

Installation instructions, see [page 70](#).

6 Operation



Warning!

Danger of electrocution!

Touching live parts can lead to severe injury and even death.

- Live parts, excluding parts supplied by SELV circuits at voltages not exceeding 12 V, must not be accessible to a bathing person.



Important

Slow moving/weak elderly or disabled persons should take care when using the bathtub and must be extra careful when getting in and out.

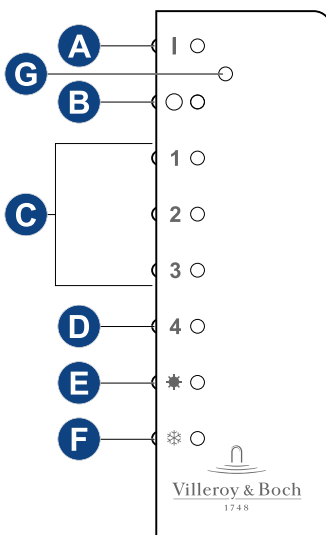
Read the general safety and installation instructions carefully before using the unit.

6.1 Operation Villeroy & Boch Mood Light / Emotion controller



The Finion bathtub can be equipped with Mood Light as an option. The Villeroy & Boch Emotion controller for operating the Mood Light is not included in the delivery.

The Villeroy & Boch Emotion controller has been developed specially for use in bathrooms. The Villeroy & Boch Emotion controller is a 4-channel controller which can be used to regulate up to three light channels. The fourth channel is reserved for controlling the mirror heater.



Villeroy & Boch Emotion controller

- A** Switches all the lights on at once
- B** Switches all the lights off at once
- C** The buttons 1 to 3 switch the individual lights on and off
- D** Switches the mirror heating on (automatic switch-off after 30 min)
- E** Setting warm white
- F** Setting cold white
- G** Signal LED

Button 2 on the Villeroy & Boch Emotion controller is pre-programmed for operating the Finion Mood Light function. If button 2 is actuated and held down, the intensity of the light increases continuously. The intensity goes to the most dimmed stage after reaching the maximum intensity.

6.2 Servicing the Villeroy & Boch Emotion controller



Replacing the battery



Warning!

Chemical burn hazard by ingesting the battery!

If the coin/button cell battery is swallowed, it can cause severe internal burns in just 2 hours and can lead to death.

- Keep new and used batteries away from children.
- If the battery compartment does not close securely, stop using the product and keep it away from children.
- If you think that the batteries might have been swallowed or placed inside any part of the body, seek immediate medical attention.



Warning!

Danger of explosion from incorrect battery replacement!

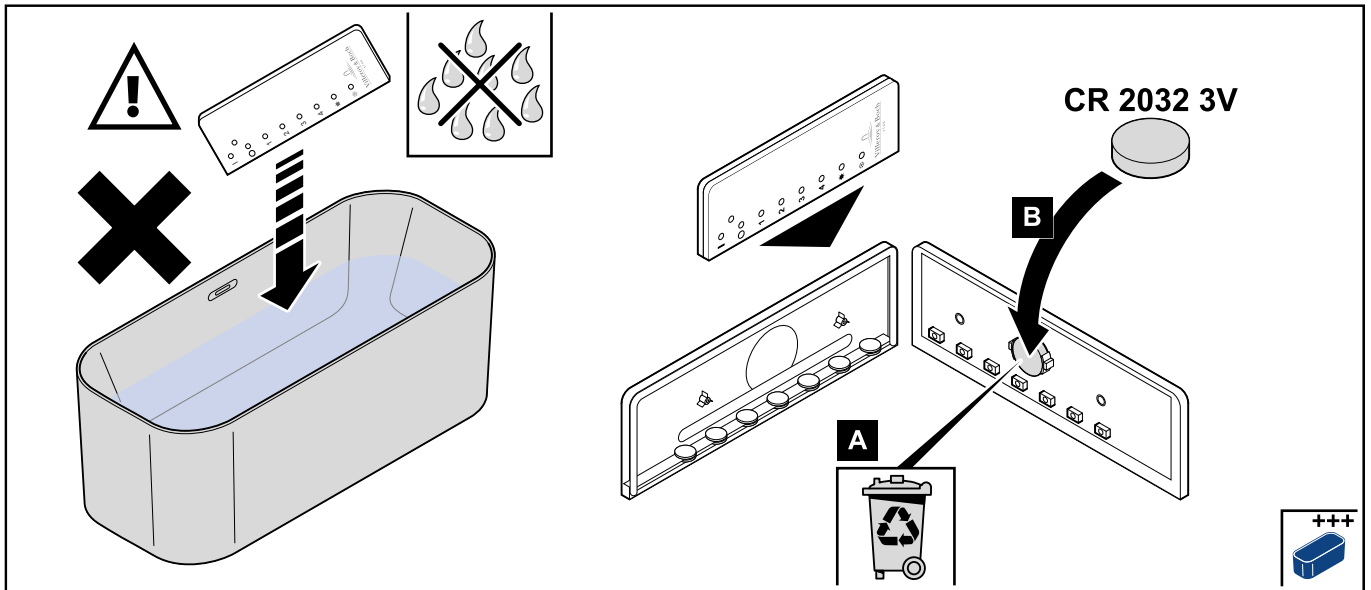
Incorrect battery replacement can cause severe injuries.

- Replace the battery only by the same or equivalent type of battery.



Important

The batteries of the remote control shall not be exposed to excessive heat such as sunshine, fire or the like.



1. Release the two screws on the back of the housing.
2. Open the cover and replace the battery.
3. Close the cover again.
Make sure that the seal is located flush with the edge of the housing.
4. Fix the cover again using the two screws.

6.3 Bathwater temperature



Applies only for products with the “Mood Light” function.



Caution!

Material damage as a result of excessively high temperatures!

Temperatures in excess of 50 °C can cause damage to the system and the associated components.

- The bath water must not exceed a temperature of 50 °C.

7 Decommissioning



Recycle electronic equipment, or dispose of properly. Do not dispose of electronic equipment in the household waste. Observe the local regulations.



Warning!

Danger of electrocution!

Touching live parts can lead to severe injury and even death.

- Have the decommissioning and repairs carried out by an electrician.
- Before shutting down the sound system, make sure that there is no water in the bathtub.

Procedure for shutting down

1. De-energise the line and secure from switching on again.
2. Release the cable connections.

Impressum

Villeroy & Boch AG

Saaruferstraße
66693 Mettlach
Deutschland

Telefon: +49 (0) 68 64 / 8 10

E-Mail: information@villeroy-boch.com

www.villeroy-boch.com

Das Herunterladen und Verwenden von Bildern unserer Seiten ist ohne die schriftliche Zustimmung der Villeroy & Boch AG nicht gestattet.

Vorstand

Frank Göring (Vorsitzender)

Andreas Pfeiffer

Nicolas Luc Villeroy

Dr. Markus Warncke

Aufsichtsrat

Yves Elsen (Vorsitzender des Aufsichtsrats)

Register

Amtsgericht Saarbrücken, HRB 63610

Steuernummer

Villeroy & Boch AG: 020/100/00087

Copyright

Villeroy & Boch AG

Haftung

Die Inhalte unserer Seiten wurden mit größter Sorgfalt erstellt. Für die Richtigkeit, Vollständigkeit und Aktualität der Inhalte können wir jedoch keine Gewähr übernehmen. Villeroy & Boch AG ist für die eigenen Inhalte, die sie zur Nutzung bereithält, nach den allgemeinen Gesetzen verantwortlich. Von diesen eigenen Inhalten sind Querverweise ("Links") auf die von anderen Anbietern bereitgehaltenen Inhalte zu unterscheiden. Erhalten wir davon Kenntnis, dass die verlinkten Inhalte eine zivil- oder strafrechtliche Verantwortlichkeit auslösen, werden wir diese Links beseitigen.



Dieses Produkt erfüllt alle CE Kriterien. Die Erklärung zur Konformität kann von Villeroy & Boch erlangt werden.

Inhaltsverzeichnis

| | | |
|----------|--|-----------|
| 1 | Allgemeine Angaben..... | 17 |
| 1.1 | Verwendete Darstellung | 17 |
| 1.2 | Zielgruppen | 18 |
| 1.3 | Garantie | 18 |
| 1.4 | Wartung und Pflege | 19 |
| 2 | Sicherheit..... | 19 |
| 2.1 | Bestimmungsgemäße Verwendung | 19 |
| 2.2 | Vernünftigerweise vorhersehbare Fehlanwendung | 19 |
| 2.3 | Allgemeine Sicherheitshinweise | 20 |
| 3 | Technische Daten..... | 21 |
| 3.1 | Elektrische Verbindung | 21 |
| 4 | Lieferumfang / benötigtes Werkzeug..... | 22 |
| 5 | Installation..... | 23 |
| 6 | Bedienung..... | 24 |
| 6.1 | Bedienung Villeroy & Boch Mood Light / Emotion Steuerung | 24 |
| 6.2 | Wartung der Villeroy & Boch Emotion Steuerung | 25 |
| 6.3 | Badewassertemperatur | 26 |
| 7 | Außerbetriebnahme..... | 27 |

1 Allgemeine Angaben

Vor der Installation und Verwendung des Geräts die Installations- und Bedienungsanleitung sorgfältig lesen. Die Installations- und Bedienungsanleitung stets an einem für den Nutzer zugänglichen Ort aufbewahren.

Vor der Montage die Produkte auf Schäden und Vollständigkeit prüfen. Offensichtliche Mängel können nach der Installation nicht mehr übernommen werden.

1.1 Verwendete Darstellung

Sicherheitshinweise



Warnung!

Warnung vor möglicher Gefahr.
Schwere Körperverletzung oder Tod sind möglich.



Vorsicht!

Warnung vor möglichen Gefahrensituationen.
Leichte Körperverletzung beziehungsweise Sachschäden sind möglich.



Hinweis

Für Anwendungshinweise und andere nützliche Informationen.

Handlungsanweisungen

Auszuführende Schritte sind als nummerierte Liste dargestellt. Die Reihenfolge der Schritte ist einzuhalten.

Beispiel:

1. Handlungsschritt
2. Handlungsschritt

Ergebnisse einer Handlungsanweisung werden wie folgt dargestellt:

Beispiel:

- ▶ Pfeil
- ▶ Pfeil

Aufzählungen

Aufzählungen ohne zwingende Reihenfolge sind als Liste mit Aufzählungspunkten dargestellt.

Beispiel:

- Punkt 1
- Punkt 2

Zusatzfunktionen

Einige Funktionen sind nicht standardmäßig in allen Badewannen vorhanden.

Solche Funktionen sind in diesem Handbuch mit folgendem Symbol gekennzeichnet:



1.2 Zielgruppen

Die Zielgruppen dieser Bedienungs- und Installationsanleitung sind Installateure, Elektrofachkräfte und Betreiber.

Installateure:

Diese Fachkräfte führen gemäß Autorisierung durch den Betreiber Arbeiten aus, für die sie durch eine Berufsausbildung oder eine vergleichbare betriebliche Ausbildung die notwendigen Kenntnisse besitzen, um die anfallenden Arbeiten fach- und sachgerecht sowie sicherheits- und gefahrengerecht ausführen zu können. Ihre Arbeit unterliegt der Einweisung, Kontrolle und Verantwortung durch geschultes Aufsichtspersonal/Fachpersonal, welches durch den Betreiber eingesetzt ist.

Elektrofachkraft:



Diese Fachkraft ist aufgrund ihrer fachlichen Ausbildung, Kenntnisse und Erfahrungen sowie Kenntnis der einschlägigen Normen und Bestimmungen in der Lage, Arbeiten an elektrischen Anlagen auszuführen und mögliche Gefahren selbstständig zu erkennen und zu vermeiden. Die Elektrofachkraft ist für den speziellen Einsatzort, in dem sie tätig ist, ausgebildet und kennt die relevanten Normen und Bestimmungen.

Betreiber:

Dieses Gerät kann von Kindern im Alter von 8 Jahren und älter sowie Personen mit eingeschränkten körperlichen, sensorischen und geistigen Fähigkeiten oder fehlender Erfahrung und Wissen verwendet werden, sofern dies unter Aufsicht und mit Anleitung zur Benutzung geschieht und sie die damit verbundenen Gefahren verstehen. Kinder dürfen nicht mit dem Gerät spielen.



Warnung!

Reinigung und Wartung sollte von Kindern nicht ohne Aufsicht durchgeführt werden.



Hinweis

Die Badewanne darf von sehr jungen Kindern (0-3 Jahre) nicht und von jungen Kindern (3-8 Jahre) nur unter ständiger Beaufsichtigung verwendet werden.

1.3 Garantie

Sie haben auf dieses Qualitätsprodukt nach dem Erwerb 10 Jahre Werksgarantie.

Die Garantie umfaßt: Produktionsfehler, Farbveränderungen und/oder Rißbildung in Folge von Materialermüdung und Verformung durch heißes Wasser. Die Garantie beschränkt sich auf die Reparatur oder den Austausch der von Villeroy & Boch gelieferten Produkte.

Auf das optionale Mood Light haben Sie eine Garantie von 3 Jahren.

Die Garantie gilt nur, wenn das Produkt laut unseren Installations- und Wartungsvorschriften installiert und gewartet wurde. Sie erlischt, sobald Bohrungen/Installationen für z. B. Whirlpool-Systeme von Fremdlieferanten vorgenommen bzw. wenn Bohrungen/Veränderungen nicht gemäß der zum Produkt gehörigen Installationsvorschrift durchgeführt werden.

Für die Inanspruchnahme der Garantie wenden Sie sich bitte an Ihren Installateur. Folgeschäden und Ein- oder Ausbaurkosten fallen nicht unter die Garantie.

1.4 Wartung und Pflege

Reinigung

Ihre Badewanne bleibt jahrelang schön, wenn Sie sie regelmäßig mit flüssigem Spülmittel (Sunlight Citrus, Lux, Solo) und einem Schwamm oder einer weichen Bürste reinigen. Wenn Sie eine matte Badewanne haben, reinigen Sie diese am besten mit Seife und viel Wasser.

Entfernung hartnäckiger Verschmutzungen

Hartnäckige Verschmutzungen lassen sich mit einem Schwamm und einem flüssigen Reinigungsmittel (z. B. Viss, Cif, Vif) verdünnt mit Wasser entfernen. Zur Beseitigung von Kalkablagerungen verwendet man am besten eine Essiglösung. Badewannen mit einer matten Außenseite dürfen nie mit Reinigungsmitteln wie Viss, Ciff oder Vif gereinigt werden.

Beständigkeit gegen Haushaltschemikalien

Die Quarryl®-Badewanne ist gegen alle handelsüblichen Chemikalien beständig.

Reparatur von Beschädigungen

Wenn die Oberfläche beschädigt wurde, ist es in bestimmten Fällen möglich, diesen Schaden wieder von unserem Kundendienst beheben zu lassen. Nehmen Sie dazu mit unserer Verkaufsorganisation Kontakt auf.

2 Sicherheit

2.1 Bestimmungsgemäße Verwendung

Finion ist eine freistehende Quarryl®-Badewanne, die zum Baden im häuslichen Gebrauch verwendet wird.

Zur bestimmungsgemäßen Verwendung gehören auch:

- das Beachten aller Hinweise dieser Bedienungs-/Installationsanleitung
- das Einhalten der Inspektions- und Wartungsarbeiten
- das ausschließliche Verwenden von Originalteilen

2.2 Vernünftigerweise vorhersehbare Fehlanwendung

Eine andere als die unter der „Bestimmungsgemäßen Verwendung“ festgelegte oder über diese hinausgehende Benutzung gilt als nicht bestimmungsgemäß.

Für Schäden aus nicht bestimmungsgemäßer Verwendung trägt der Betreiber die alleinige Verantwortung und der Hersteller übernimmt keinerlei Haftung.



Hinweis

Kabel nicht quetschen oder knicken.

2.3 Allgemeine Sicherheitshinweise



Gilt nur für Produkte mit der Funktion "Mood Light".



Warnung!

Gefahr durch Stromschlag!

Das Berühren von stromführenden Teilen kann zu schweren Verletzungen bis hin zum Tod führen.

- Das Gerät ist für die Verwendung von 230 V, 50 Hz Wechselstrom ausgelegt. Die Installation des Produktes ist ausschließlich von einer qualifizierten Fachkraft vorzunehmen.
- Sicherstellen, dass während den Arbeiten die Leitung stromfrei geschaltet und gegen Wiedereinschalten gesichert ist.



Warnung!

Gefahr durch Stromschlag!

Das Berühren von stromführenden Teilen kann zu schweren Verletzungen bis hin zum Tod führen.

- Komponenten mit spannungsführenden Bauteilen, mit Ausnahme von Teilen mit Schutz durch Kleinspannung (SELV) mit max. 12 V, dürfen sich nicht in Reichweite der Person in der Badewanne befinden.



Warnung!

Gefahr durch Stromschlag beim Reinigen und bei der Wartung!

Das Berühren von stromführenden Komponenten bei der Reinigung und Wartung kann zu schweren Verletzungen bis hin zum Tod führen.

- Bei der Reinigung und Wartung darauf achten, keine stromführenden Teile zu berühren.



Warnung!

Gefahr durch Stromschlag!

Spannungsführende Teile die nicht fachgerecht angebracht oder befestigt wurden können zu schweren Verletzungen bis hin zum Tod führen.

- Dieses Produkt ist nur in Verbindung mit der mitgelieferten "Kontrollbox" zu verwenden.
- Alle elektrischen, elektromagnetischen und zur Installation benötigten Komponenten des Produktes (mit Ausnahme der Fernbedienung) müssen gemäß Installationsanleitung und nationalen Vorgaben an Badewanne/Boden/Wand sicher angebracht werden.
- Um Verletzungen oder sogar Tod zu vermeiden, müssen alle spannungsgeladenen Teile sicher gemäß Installationsanleitung und nationalen Vorgaben an Badewanne/Boden/Wand angebracht werden.
- Andere Teile, die elektrische Komponenten beinhalten, mit der Ausnahme von Fernbedienungen, müssen sich in ausreichendem Abstand zur Badewanne befinden oder so befestigt sein, dass sie nicht hineinfallen können.

3 Technische Daten

FINION Badewanne

| | |
|----------------------------------|---------------------|
| Maße Finion Badewanne: (L/B/H/T) | 1700/700/633/480 mm |
| Gewicht Finion Badewanne | 110 kg |

Option Mood Light

| | |
|---|---|
| Nennspannung | 230 VAC ($\pm 10\%$), 50 Hz (Schutzklasse II, IPX5) |
| Nennleistungsaufnahme | 30 W |
| Signalfrequenz | 2,4 GHz |
| Maximaler Abstand zwischen Sender und Empfänger | 10 m |
| Bereich Betriebstemperatur | 5 ... 40 °C |
| Luftfeuchtigkeit | 5 % - 95 % nicht kondensierend/ keine Betauung |

Villeroy & Boch Emotion Steuerung (Fernbedienung)

| | |
|-----------------------------|---|
| Nennspannung | 3 V \pm 20 % DCV; Schutz vor Spannungsspitzen: Nein |
| Batterie | CR 2032 3 V |
| Verpolschutz | mechanisch: ja; elektronisch: nein |
| Ausgangsschnittstelle | serielles Protokoll, Fernbedienung 2,4 GHz |
| Reaktionszeit | typ. 100 ms |
| Stromverbrauch Standby | typ. 0,5 μ A |
| Umgebungstemperatur Betrieb | 0 - 50 °C |
| Feuchtigkeit | max 95 % nicht kondensierend |
| IP Schutzart | IPX4 |
| Funkreichweite | typ. 15 m Indoor |

Wassereinlass

| | |
|-------------------------------------|---------------------|
| Minimaler und maximaler Wasserdruck | sind nicht begrenzt |
|-------------------------------------|---------------------|

3.1 Elektrische Verbindung

| | |
|---------------|---|
| Niederlande | gemäß NEN 1010 |
| Deutschland | gemäß DIN/VDE 0100 Teil 701 2008-10 |
| Belgien | gemäß A.R.E.I. art. 86, 90, 93 |
| England | gemäß BS 7671 |
| Frankreich | gemäß NF C 15-100 |
| andere Länder | gemäß den geltenden nationalen Vorschriften |



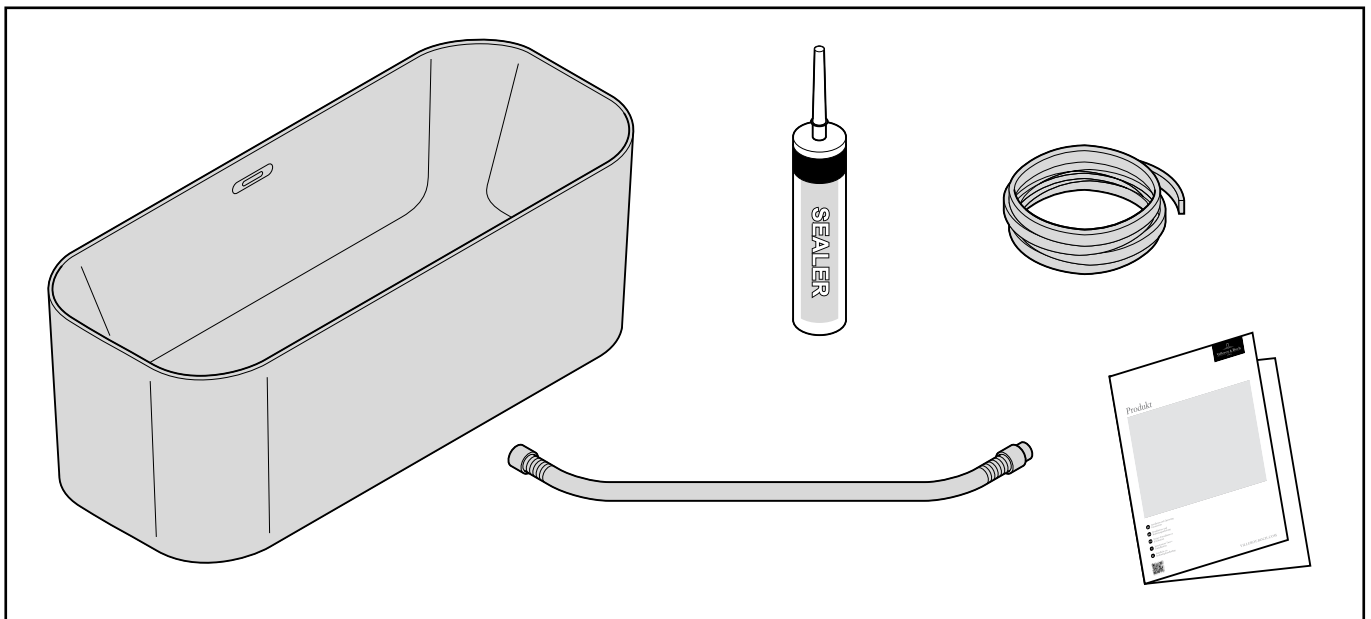
Hinweis

- Das System entspricht den Anforderungen des Schutzklasse II Zubehörs.
- Typ Y, Verbindungsmethode mit Verwendung von Spezialkabeln: Sollte das Versorgungskabel beschädigt sein, muss es vom Hersteller oder Servicebeauftragten oder von ähnlich qualifizierten Personen ersetzt werden, um Gefährdungen zu vermeiden.
- Alle Teile müssen im korrekten Bereich angebracht sein. Der Platz unterhalb der Badewanne ist kein solcher Bereich, wenn der Platz durch Abtrennungen geschlossen ist, die nur mit Hilfe von Werkzeugen geöffnet werden können.

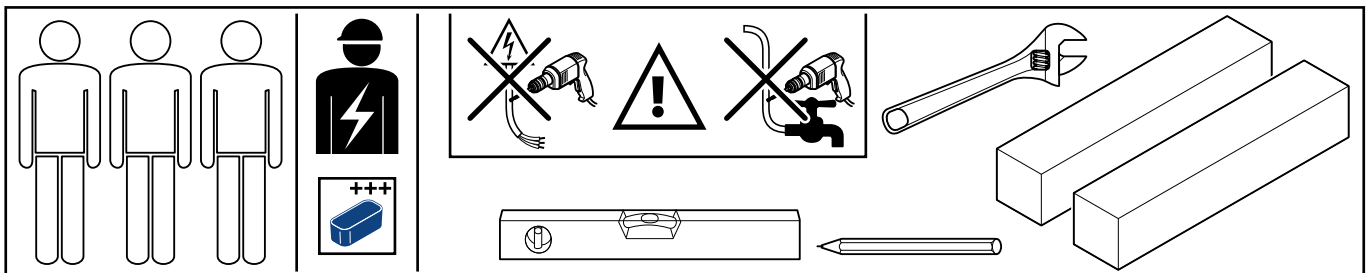
4 Lieferumfang / benötigtes Werkzeug

Lieferumfang vor Ort auf Vollständigkeit prüfen.

Lieferumfang



Benötigtes Werkzeug



5 Installation



Gilt nur für Produkte mit der Funktion "Mood Light".



Warnung!

Gefahr durch Stromschlag!

Das Berühren von stromführenden Teilen kann zu schweren Verletzungen bis hin zum Tod führen.

- Das Gerät ist für die Verwendung von 230 V, 50 Hz Wechselstrom ausgelegt. Die Installation des Produktes ist ausschließlich von einer qualifizierten Fachkraft vorzunehmen.
- Sicherstellen, dass während den Arbeiten die Leitung stromfrei geschaltet und gegen Wiedereinschalten gesichert ist.



Warnung!

Gefahr durch Stromschlag!

Spannungsführende Teile, die nicht fachgerecht angebracht oder befestigt wurden, können zu schweren Verletzungen bis hin zum Tod führen.

- Alle elektrischen, elektromagnetischen und zur Installation benötigten Komponenten des Produkts (mit Ausnahme der Fernbedienung) müssen gemäß Installationsanleitung und nationalen Vorgaben an Badewanne/Boden/Wand sicher angebracht werden.
- Um Verletzungen oder sogar Tod zu vermeiden, muss dieses Produkt und andere spannungsgeladene Teile sicher gemäß Installationsanleitung und nationalen Vorgaben an Badewanne/Boden/Wand angebracht werden.
- Andere Teile, die elektrische Komponenten beinhalten, mit der Ausnahme von Fernbedienungen, müssen sich in ausreichendem Abstand zur Badewanne befinden oder so befestigt sein, dass sie nicht hineinfallen können.



Warnung!

Gefahr durch Stromschlag!

Das Berühren von stromführenden Teilen kann zu schweren Verletzungen bis hin zum Tod führen.

- In die Elektroleitung ist ein Netzschalter aufzunehmen, der:
 - unter der Badewanne nahe des Schaltkastens zu installieren ist (Arbeitsschalter für den Monteur).
 - sowohl die Phase als auch die Null schaltet.
 - in ausgeschaltetem Zustand eine Kontaktöffnung von mindestens 3 mm hat.
 - der Schutzart IPX5 entspricht.
- Die elektrische Verbindung muss durch eine 16 A Sicherung gesichert sein. Die Versorgung darf nur durch einen Fehlerstrom-Schutzschalter (nicht für die Anwendung in Zone 1, 2 und 3) mit einem maximalen Bemessungsfehlerstrom von 30 mA ($I_n = 25 \text{ A}$), Klasse A gesichert sein.



Hinweis

Produkt niemals oberhalb oder in der Nähe von Wärmequellen wie Heizkörpern, Heizregistern, Öfen oder anderen wärmeproduzierenden Gerätetypen platzieren.

Installationsanleitung, siehe [Seite 70](#).

6 Bedienung



Warnung!

Gefahr durch Stromschlag!

Das Berühren von stromführenden Teilen kann zu schweren Verletzungen bis hin zum Tod führen.

- Komponenten mit spannungsführenden Bauteilen, mit Ausnahme von Teilen mit Schutz durch Kleinspannung (SELV) mit max. 12 V, dürfen sich nicht in Reichweite der Person in der Badewanne befinden.



Hinweis

Langsame oder schwache, ältere oder behinderte Personen sollten die Badewanne mit besonderer Vorsicht verwenden, insbesondere beim Ein- und Aussteigen.

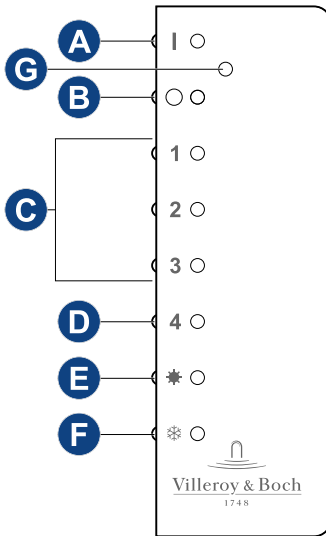
Vor der Verwendung des Geräts die allgemeinen Sicherheitshinweise und die Installationsanleitung sorgfältig lesen.

6.1 Bedienung Villeroy & Boch Mood Light / Emotion Steuerung



Die Finion Badewanne kann optional mit Mood Light ausgestattet werden. Zur Bedienung von Mood Light ist die Villeroy & Boch Emotion Steuerung im Lieferumfang nicht enthalten.

Die Villeroy & Boch Emotion Steuerung ist speziell für den Einsatz in Badezimmern konzipiert. Die Villeroy & Boch Emotion Steuerung ist eine 4-Kanal-Steuerung, mit der sich bis zu drei Lichtkanäle regulieren lassen. Der vierte Kanal ist für die Schaltung der Spiegelheizung reserviert.



Villeroy & Boch Emotion Steuerung

- A Schaltet alle Leuchten gleichzeitig ein
- B Schaltet alle Leuchten gleichzeitig aus
- C Tasten 1 bis 3 schalten die einzelnen Leuchten ein/aus
- D Schaltet die Spiegelheizung ein (automatische Abschaltung nach 30 min)
- E Warmweiß einstellen
- F Kaltweiß einstellen
- G Signal-LED

Taste 2 der Villeroy & Boch Emotion Steuerung ist für die Bedienung der Finion Mood Light-Funktion vorprogrammiert. Wird Taste 2 betätigt und gedrückt gehalten, steigt die Lichtintensität kontinuierlich an. Nach der hellsten Stufe geht die Intensität zur am meisten gedimmten Stufe über.

6.2 Wartung der Villeroy & Boch Emotion Steuerung



Batterie wechseln



Warnung!

Verätzungen durch Verschlucken der Batterien!

Verschlucken der Batterien kann bereits innerhalb von zwei Stunden zu schwerwiegenden inneren chemischen Verbrennungen und Tod führen.

- Neue und benutzte Batterien von Kindern fern halten.
- Wenn sich das Batteriefach der Fernbedienung nicht mehr sicher schließen lässt, sollten Sie die Verwendung des Produktes abbrechen und von Kindern fern halten.
- Wenn Batterien verschluckt wurden oder sich irgendwo im Körper befinden, begeben Sie sich sofort in ärztliche Behandlung.

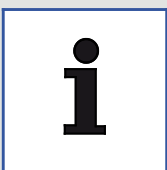


Warnung!

Explosionsgefahr durch falsches Austauschen der Batterien!

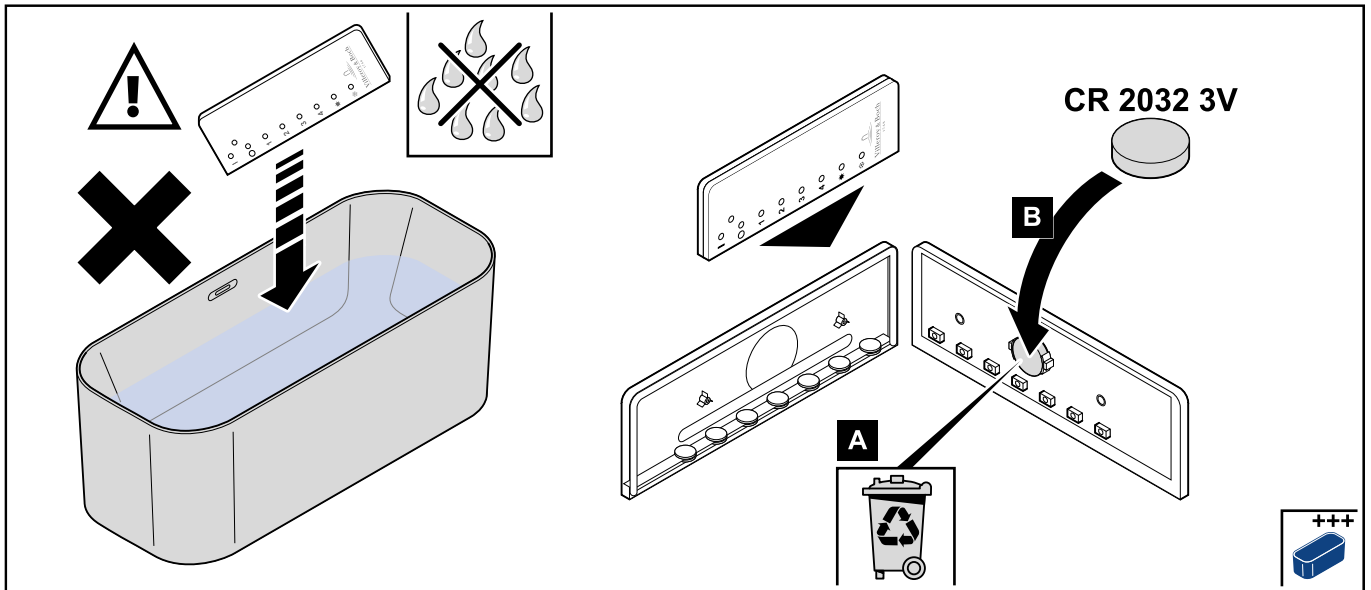
Falsches Austauschen der Batterien kann zu schweren Verletzungen führen.

- Batterien nur mit dem gleichen oder äquivalenten Batterietyp ersetzen.



Hinweis

Die Batterien der Fernbedienung dürfen nicht großer Hitze, hervorgerufen durch Sonneneinstrahlung, Feuer oder Ähnlichem, ausgesetzt werden.



1. Lösen Sie die zwei Schrauben auf der Rückseite des Gehäuses.
2. Öffnen Sie den Deckel und tauschen Sie die Batterie aus.
3. Schließen Sie den Deckel wieder.
Achten Sie dabei darauf, dass die Dichtung bündig auf dem Rand des Gehäuses liegt.
4. Befestigen Sie den Deckel wieder mit den zwei Schrauben.

6.3 Badewassertemperatur



Gilt nur für Produkte mit der Funktion "Mood Light".



Vorsicht!

Sachschaden durch zu hohe Temperatur!

Temperaturen über 50 °C können das System und zugehörige Komponenten schädigen.

- Das Badewasser darf eine Temperatur von 50 °C nicht überschreiten.

7 Außerbetriebnahme



Elektronikgeräte recyceln oder fachgerecht entsorgen. Elektronikgeräte niemals über den Hausmüll entsorgen. Die vor Ort gültigen Vorschriften beachten.



Warnung!

Gefahr durch Stromschlag!

Das Berühren von stromführenden Teilen kann zu schweren Verletzungen bis hin zum Tod führen.

- Die Außerbetriebnahme und Reparatur sind von einer Elektrofachkraft auszuführen.
- Vor der Außerbetriebnahme des Soundsystems sicher stellen, dass sich kein Wasser in der Badewanne befindet.

Vorgehensweise Außerbetriebnahme

1. Die Leitung stromfrei schalten und gegen Wiedereinschalten sichern.
2. Lösen der Kabelverbindungen.

Mentions légales

Villeroy & Boch AG

Saaruferstrasse

66693 Mettlach

Allemagne

Tél : +49 (0) 68 64 / 8 10

E-mail : information@villeroy-boch.com

www.villeroy-boch.com

Le téléchargement et l'utilisation d'images de notre site ne sont pas autorisés sans l'accord écrit de Villeroy & Boch AG.

Conseil de direction

Frank Göring (président)

Andreas Pfeiffer

Nicolas Luc Villeroy

Dr. Markus Warncke

Conseil de surveillance

Yves Elsen (président du conseil de surveillance)

Enregistrement

Tribunal d'instance de Sarrebruck, HRB 63610

Numéro de TVA

Villeroy & Boch AG : 020/100/00087

Copyright

Villeroy & Boch AG

Responsabilité

Les contenus de notre site ont été rédigés avec le plus grand soin. Nous ne pouvons toutefois pas garantir l'exactitude, l'exhaustivité et la mise à jour de ces contenus. D'après la loi, Villeroy & Boch AG est responsable de ses propres contenus mis à disposition pour être utilisés. Ces contenus doivent être distingués des contenus fournis par d'autres prestataires de services par le biais de renvois (« liens »). Si nous constatons que les contenus en lien engageraient une responsabilité civile ou pénale, nous supprimerions ces liens.



Ce produit satisfait à tous les critères du marquage CE. Le certificat de déclaration de conformité peut être obtenu auprès de Villeroy & Boch.

Table des matières

| | | |
|----------|---|-----------|
| 1 | Données générales..... | 30 |
| 1.1 | Conventions utilisées | 30 |
| 1.2 | Groupes visés | 31 |
| 1.3 | Garantie | 31 |
| 1.4 | Maintenance et entretien | 32 |
| 2 | Sécurité..... | 32 |
| 2.1 | Utilisation conforme | 32 |
| 2.2 | Mauvais usage raisonnablement prévisible | 32 |
| 2.3 | Consignes générales de sécurité | 33 |
| 3 | Données techniques..... | 34 |
| 3.1 | Raccordement électrique | 34 |
| 4 | Étendue de la livraison/outils requis..... | 36 |
| 5 | Installation..... | 37 |
| 6 | Utilisation..... | 38 |
| 6.1 | Fonctionnement du système Mood Light / contrôleur Emotion Villeroy & Boch | 38 |
| 6.2 | Entretien du contrôleur Villeroy & Boch Emotion | 39 |
| 6.3 | Température de l'eau du bain | 40 |
| 7 | Mise hors service..... | 41 |

1 Données générales

Lire attentivement cette notice d'installation et d'utilisation avant d'installer et d'utiliser le système. Cette notice d'installation et d'utilisation doit être constamment conservée dans un endroit facilement accessible par l'utilisateur.

1.1 Conventions utilisées

Instructions en matière de sécurité



Avertissement !

Mise en garde contre un danger potentiel.
Risques de blessures graves, voire danger de mort.



Prudence !

Mise en garde contre des situations potentiellement dangereuses.
Risques de blessures légères ou de dégâts matériels.



Remarque !

Autres informations utiles pour les directives d'application.

Consignes

Les étapes à effectuer sont présentées sous la forme d'une liste numérotée. L'ordre des étapes doit être respecté.

Exemple :

1. Manipulation
2. Manipulation

Les résultats d'une consigne sont présentés comme suit :

Exemple :

- ▶ Flèche
- ▶ Flèche

Listes

Les listes sans ordre chronologique défini sont présentées sous la forme de points.

Exemple :

- Point 1
- Point 2

Fonctions supplémentaires

Certaines caractéristiques ne sont pas présentes de série sur certaines baignoires.

Ces options sont repérées par le symbole suivant dans ce manuel :



1.2 Groupes visés

Cette notice d'installation et d'utilisation est destinée aux installateurs, électriciens et utilisateurs.

Installateurs :

Avec l'autorisation de l'utilisateur, ces experts effectuent des interventions pour lesquelles ils ont l'expertise nécessaire, obtenue par le biais d'un enseignement professionnel ou d'une formation pratique comparable, afin de pouvoir réaliser les interventions rencontrées de manière professionnelle et appropriée en termes de sécurité et de risques. Leurs interventions sont encadrées par les directives d'un cadre/un expert, nommé par l'utilisateur, et sous son contrôle et sa responsabilité.

Électriciens :



Ces experts sont, en raison de leur formation, connaissances et expérience techniques, ainsi que de leurs connaissances des normes et spécifications applicables, capables d'effectuer des interventions sur des installations électriques et de détecter et éviter les éventuels dangers de manière autonome. Les électriciens sont formés spécialement pour le site où ils interviennent et ils connaissent les normes et spécifications applicables.

Utilisateurs :

Cet appareil peut être utilisé par des enfants à partir de 8 ans et des personnes présentant des capacités physiques, sensorielles ou mentales réduites ou manquant d'expérience et de connaissance s'il sont surveillés ou s'ils ont été informés quant à l'utilisation en toute sécurité de l'appareil et s'ils comprennent les risques encourus. Les enfants ne doivent pas jouer avec l'appareil.



Avertissement !

Le nettoyage et l'entretien par l'utilisateur ne doivent pas être réalisés par des enfants sans surveillance.



Remarque !

La baignoire ne doit pas être utilisée par de très jeunes enfants (0 à 3 ans) et ne doit pas être utilisée par de jeunes enfants (3 à 8 ans) sans une surveillance continue.

1.3 Garantie

Nous offrons une garantie usine de 10 ans à compter de la date d'acquisition de ce produit de qualité.

Cette garantie couvre : défauts d'usine, variations de couleurs et/ou craquelures en raison de la fatigue des matériaux et d'une déformation due à l'eau chaude. La garantie est limitée à la réparation ou au remplacement des produits Villeroy & Boch livrés.

Le Mood Light en option est couvert par une garantie de 3 ans.

Cette garantie n'est applicable que si le produit a été installé et entretenu conformément à nos instructions d'installation et d'entretien. Elle perd sa validité dès lors que des trous/installations pour systèmes Whirlpool, par exemple, sont réalisés par des tiers et si des trous/installations sont réalisés de manière non conforme aux instructions d'installation associées au produit.

Veuillez consulter votre installateur si vous devez avoir recours à la garantie. Cette garantie n'inclut pas les dommages consécutifs ni les coûts d'installation et de retrait.

1.4 Maintenance et entretien

Nettoyage

Votre baignoire restera belle pendant de nombreuses années si vous la nettoyez régulièrement avec un agent de nettoyage liquide (Sunlight Citrus, Lux, Solo) et une éponge ou une brosse douce. Si votre baignoire présente un fini mat, il est recommandé de la nettoyer avec du savon et une grande quantité d'eau.

Élimination des taches tenaces

Pour éliminer les taches tenaces, l'idéal est d'utiliser une éponge et un agent de nettoyage liquide (tel que du Viss, Cif, Vif), dilué dans de l'eau. Pour éliminer les dépôts de calcaire, l'idéal est d'utiliser une solution de vinaigre. Les baignoires avec une surface externe mate ne doivent jamais être nettoyées avec des agents de nettoyage tels que le Viss, Cif ou Vif.

Résistance aux produits chimiques ménagers

La baignoire Quaryl® résiste à tous les produits chimiques du commerce.

Réparation des dommages

Si la surface est endommagée, il est possible, dans certaines circonstances, de faire réparer ces dommages par notre service clients. Veuillez contacter pour cela notre service commercial.

2 Sécurité

2.1 Utilisation conforme

Finion est une baignoire autoportée Quaryl® qui sert à prendre des bains dans le cadre d'un usage domestique.

L'utilisation conforme implique également :

- le respect de toutes les consignes de la présente notice d'installation/d'utilisation
- le respect des tâches d'inspection et d'entretien
- l'utilisation exclusive de pièces d'origine

2.2 Mauvais usage raisonnablement prévisible

Toute autre utilisation que celle présentée sous "utilisation conforme" est considérée comme non conforme.

En cas de dommages résultant d'une utilisation non conforme, l'utilisateur est le seul responsable et le fabricant décline toute responsabilité.



Remarque !

Ne pas écraser ou plier le câble.

2.3 Consignes générales de sécurité



Uniquement applicable aux produits avec la fonction « Mood Light ».



Avertissement !

Risque d'électrocution !

Le contact avec des pièces sous tension peut entraîner des blessures graves voire mortelles.

- L'appareil est conçu pour fonctionner avec un courant alternatif de 230 V / 50 Hz. Le produit doit être installé exclusivement par un installateur agréé.
- Lors de l'intervention, veuillez vous assurer que le câble est déconnecté du secteur et protégé contre toute reconnexion.



Avertissement !

Risque d'électrocution !

Le contact avec des pièces sous tension peut entraîner des blessures graves voire mortelles.

- Des pièces comprenant des pièces sous tension, à l'exception des pièces fournies avec une très basse tension de sécurité ne dépassant pas les 12 V, doivent être hors de portée d'une personne prenant un bain.



Avertissement !

Risque d'électrocution lors du nettoyage et de la maintenance !

Le contact avec des pièces sous tension lors du nettoyage et de la maintenance peut entraîner des blessures graves voire mortelles.

- Lors du nettoyage ou de la réalisation de travaux de maintenance, assurez-vous de ne pas toucher des pièces sous tension.



Avertissement !

Risque d'électrocution !

Les composants sous tension qui n'ont pas été montés ou fixés correctement peuvent entraîner des blessures graves voire mortelles.

- Cet appareil ne doit être utilisé qu'avec l'unité d'alimentation fournie avec l'appareil.
- Tous les composants électriques et électromagnétiques du produit et qui sont nécessaires pour l'installation (à l'exception de la télécommande) doivent être bien fixés à la baignoire/au sol/au mur conformément aux instructions d'installation et aux réglementations nationales.
- Pour éviter toute blessure voire même la mort, toutes les pièces sous tension doivent être bien fixées à la baignoire/au sol/au mur conformément aux instructions d'installation et aux réglementations nationales.
- D'autres pièces comprenant des composants électriques, à l'exception des dispositifs de commande à distance, doivent être situées ou fixées de manière à ne pas pouvoir tomber dans la baignoire.

3 Données techniques

Baignoire FINION

| | |
|---|---------------------|
| Dimensions de la baignoire Finion : (L/l/H/P) | 1700/700/633/480 mm |
| Poids de la baignoire Finion | 110 kg |

Option Mood Light

| | |
|--|---|
| Tension nominale | 230 VCA ($\pm 10\%$), 50 Hz (classe de protection II, IPX5) |
| Consommation nominale | 30 W |
| Fréquence du signal | 2,4 GHz |
| Distance maximum entre le transmetteur et le récepteur | 10 m |
| Plage de températures de fonctionnement | 5 ... 40 °C |
| Humidité | 5 % - 95 % sans condensation / sans formation de rosée |

Contrôleur Villeroy & Boch Emotion (télécommande)

| | |
|---|---|
| Tension nominale | 3 V $\pm 20\%$ VCC ; protection contre les pics de tension : aucune |
| Pile | CR 2032 3 V |
| Protection contre les erreurs de polarité | Mécanique : oui ; électrique : non |
| Interface de sortie | Protocole série, télécommande 2,4 GHz |
| Temps de réaction | typiquement 100 ms |
| Consommation électrique en veille | typiquement 0,5 μ A |
| Température ambiante de fonctionnement | 0 à 50 °C |
| Humidité | maximum 95 % sans condensation |
| Classe de protection IP | IPX4 |
| Portée | typiquement 15 m en intérieur |

Entrée d'eau

| | |
|-----------------------------------|-------------------|
| Pression d'eau minimum et maximum | pas de limitation |
|-----------------------------------|-------------------|

3.1 Raccordement électrique

| | |
|------------|--|
| Pays-Bas | conformément à NEN 1010 |
| Allemagne | conformément à DIN/VDE 0100 partie 701 2008-10 |
| Belgique | conformément à A.R.E.I. art. 86, 90, 93 |
| Angleterre | conformément à BS 7671 |

| | |
|-------------|---|
| France | conformément à NF C 15-100 |
| autres pays | conformément aux réglementations nationales applicables |



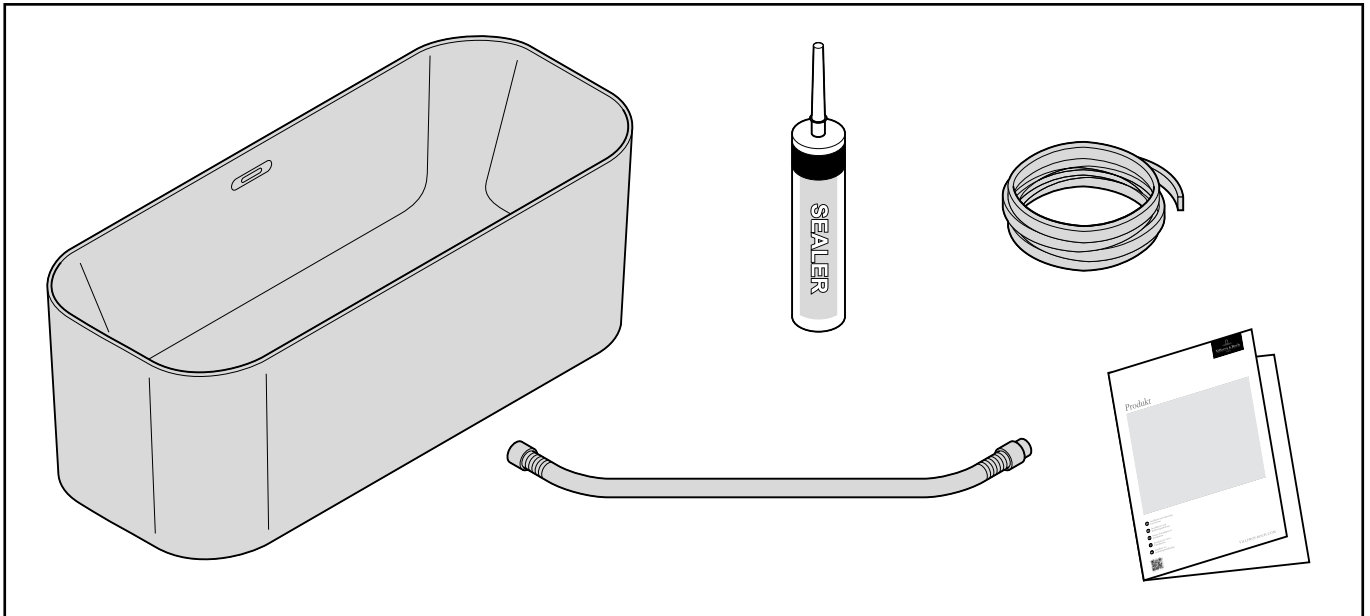
Remarque !

- Le système satisfait aux exigences définies pour les équipements de catégorie 2.
- Méthode de connexion en Y nécessitant un câble spécial : Si le cordon d'alimentation est endommagé, il doit être remplacé par le fabricant, un réparateur agréé ou toute autre personne agréée afin d'éviter tout risque.
- Toutes les pièces doivent être montées au bon endroit. L'espace sous la baignoire n'est pas considéré comme convenable si l'espace est fermé par des cloisons uniquement amovibles à l'aide d'outils.

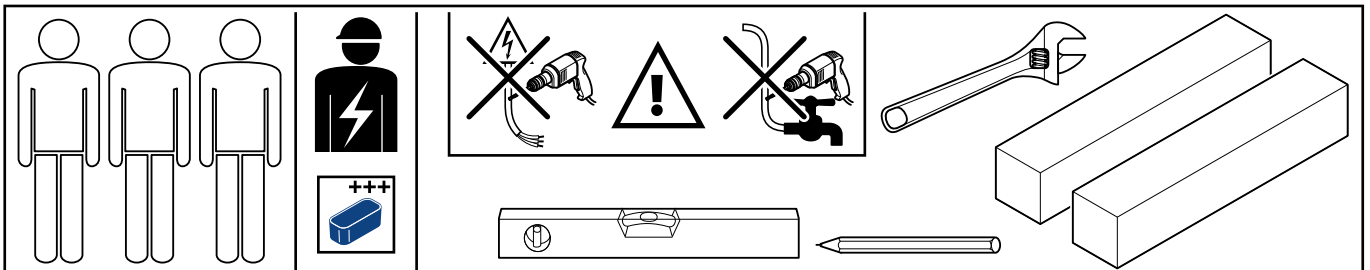
4 Étendue de la livraison/outils requis

Vérifier que le contenu de la livraison est complet à l'arrivée.

Étendue de la livraison



Outils requis



5 Installation



Uniquement applicable aux produits avec la fonction « Mood Light ».



Avertissement !

Risque d'électrocution !

Le contact avec des pièces sous tension peut entraîner des blessures graves voire mortelles.

- L'appareil est conçu pour fonctionner avec un courant alternatif de 230 V / 50 Hz. Le produit doit être installé exclusivement par un installateur agréé.
- Lors de l'intervention, veuillez vous assurer que le câble est déconnecté du secteur et protégé contre toute reconnexion.



Avertissement !

Risque d'électrocution !

Les composants sous tension qui n'ont pas été montés ou fixés correctement peuvent entraîner des blessures graves voire mortelles.

- Tous les composants électriques et électromagnétiques du produit et qui sont nécessaires pour l'installation (à l'exception de la télécommande) doivent être bien fixés à la baignoire/au sol/au mur conformément aux instructions d'installation et aux réglementations nationales.
- Pour éviter toute blessure voire même la mort, ce produit et les autres pièces sous tension doivent être bien fixés à la baignoire/au sol/au mur conformément aux instructions d'installation et aux réglementations nationales.
- D'autres pièces comprenant des composants électriques, à l'exception des dispositifs de commande à distance, doivent être situées ou fixées de manière à ne pas pouvoir tomber dans la baignoire.

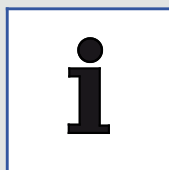


Avertissement !

Risque d'électrocution !

Le contact avec des pièces sous tension peut entraîner des blessures graves voire mortelles.

- L'alimentation doit être équipée d'un interrupteur qui :
 - est placé sous la baignoire à proximité du boîtier de commande.
 - doit passer à la fois sous tension et sur neutre.
 - doit avoir un contact s'ouvrant de plus de 3 mm en position de déconnexion.
 - satisfait aux exigences de sécurité de IPX5.
- La connexion électrique doit être protégée par un fusible de 16 A et être fournie exclusivement par un disjoncteur à courant résiduel (ne pouvant être placé dans des zones 1, 2 ou 3) à courant de service résiduel assigné n'excédant pas 30 mA ($I_n = 25$ A), classe A.



Remarque !

Ne placez jamais le produit à proximité ou au-dessus de sources de chaleur telles que des radiateurs, registres de chaleur, poêles ou autres types d'appareils produisant de la chaleur.

Instructions d'installation, voir [Page 70](#).

6 Utilisation

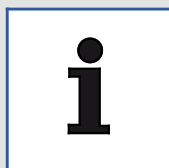


Avertissement !

Risque d'électrocution !

Le contact avec des pièces sous tension peut entraîner des blessures graves voire mortelles.

- Des pièces comprenant des pièces sous tension, à l'exception des pièces fournies avec une très basse tension de sécurité ne dépassant pas les 12 V, doivent être hors de portée d'une personne prenant un bain.



Remarque !

Les personnes qui se déplacent lentement, handicapées ou les personnes âgées faibles doivent être prudentes lorsqu'elles utilisent la baignoire, en particulier lorsqu'elles y entrent et en sortent.

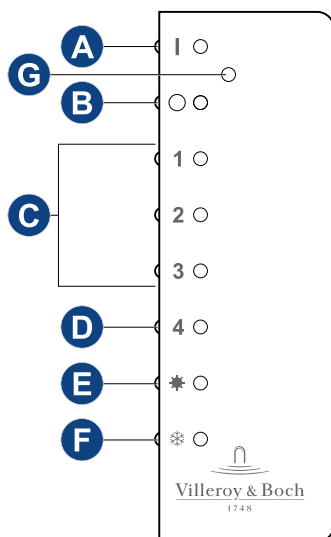
Lire attentivement cette notice d'installation et d'utilisation avant d'utiliser le système.

6.1 Fonctionnement du système Mood Light / contrôleur Emotion Villeroy & Boch



La baignoire Finion peut être équipée de l'option Mood Light. Le contrôleur Villeroy & Boch Emotion pour utiliser l'option Mood Light n'est pas inclus avec le produit.

Le contrôleur Villeroy & Boch Emotion a été spécifiquement conçu pour être utilisé dans les salles de bain. Le contrôleur Villeroy & Boch Emotion est un contrôleur à 4 canaux permettant de réguler jusqu'à trois canaux de lumière. Le quatrième canal est réservé au contrôle du système de chauffage de miroir.



Contrôleur Villeroy & Boch Emotion

- A** Allume toutes les lumières en même temps
- B** Éteint toutes les lumières en même temps
- C** Les boutons 1 à 3 permettent d'allumer et éteindre les différentes lumières
- D** Allume le chauffage du miroir (extinction automatique après 30 min)
- E** Réglage blanc chaud
- F** Réglage blanc froid
- G** Voyant de signal

Le bouton 2 du contrôleur Villeroy & Boch Emotion est pré-programmé pour contrôler la fonction Finion Mood Light. Si le bouton 2 est maintenu enfoncé, l'intensité lumineuse augmente en continu. L'intensité passe au niveau le plus faible après avoir atteint le niveau maximum.

6.2 Entretien du contrôleur Villeroy & Boch Emotion



Remplacement de la pile



Avertissement !

Brûlure chimique en cas d'ingestion de la pile !

En cas d'ingestion de la pile bouton, elle peut provoquer de graves brûlures internes en seulement 2 heures et elle peut provoquer le décès.

- Conservez les piles neuves et usagées hors de portée des enfants.
- Si le compartiment de la pile ne se ferme pas correctement, arrêtez d'utiliser le produit et tenez-le hors de portée des enfants.
- Si vous pensez que des piles ont peut-être été ingérées ou placées dans une partie du corps, consultez immédiatement un médecin.



Avertissement !

Risque d'explosion en cas de remplacement incorrect de la pile !

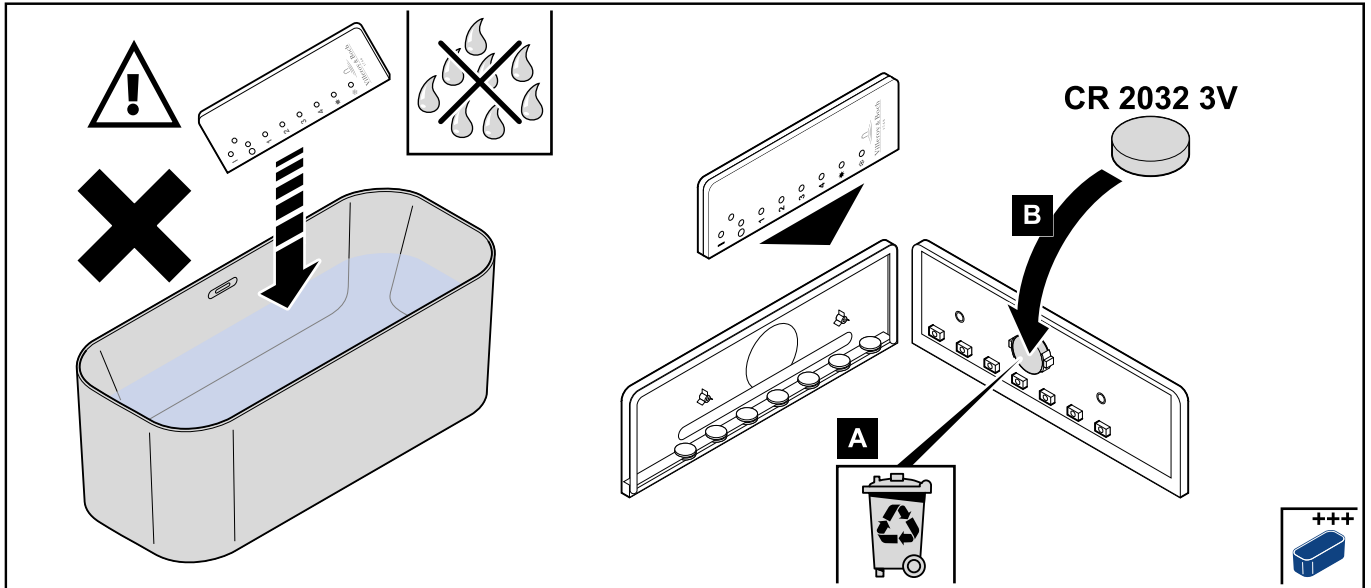
Un remplacement incorrect de la pile peut provoquer de graves blessures.

- Ne remplacez la pile que par une pile identique ou équivalente.



Remarque !

Les piles de la télécommande ne doivent pas être exposées à une chaleur excessive, par exemple à la lumière du soleil, au feu, etc.



1. Dévissez les deux vis à l'arrière du boîtier.
2. Ouvrez le couvercle et remplacez la pile.
3. Refermez le couvercle.
Veillez à ce que le joint coïncide avec le bord du boîtier.
4. Fixez de nouveau le couvercle avec les deux vis.

6.3 Température de l'eau du bain



Uniquement applicable aux produits avec la fonction « Mood Light ».



Prudence !

Domage matériel résultant de températures excessivement élevées !

Des températures supérieures à 50 °C peuvent endommager le système et les composants associés.

- L'eau du bain ne doit pas dépasser les 50 °C.

7 Mise hors service



Recycler les équipements électroniques ou les jeter de manière appropriée. Ne pas jeter les équipements électroniques dans les ordures ménagères. Respecter les réglementations locales.



Avertissement !

Risque d'électrocution !

Le contact avec des pièces sous tension peut entraîner des blessures graves voire mortelles.

- Demander à un électricien de procéder à la mise hors service et aux réparations.
- Avant d'éteindre le système sonore, s'assurer qu'il n'y a pas d'eau dans la baignoire.

Procédure d'arrêt

1. Mettre hors tension et éviter toute remise en tension.
2. Débrancher les câbles.

Informazioni editoriali

Villeroy & Boch AG

Saaruferstrasse

66693 Mettlach

Germania

Tel: +49 (0) 68 64 / 8 10

E-mail: information@villeroy-boch.com

www.villeroy-boch.com

Il download e l'uso di immagini di queste pagine non sono permessi senza il permesso scritto di Villeroy & Boch AG.

Consiglio di Amministrazione

Frank Göring (Presidente del Consiglio di Amministrazione)

Andreas Pfeiffer

Nicolas Luc Villeroy

Dr. Markus Warncke

Consiglio di Sorveglianza

Yves Elsen (Presidente del Consiglio di Sorveglianza)

Registro

Tribunale distrettuale di Saarbrücken, HRB 63610

Codice fiscale

Villeroy & Boch AG: 020/100/00087

Copyright

Villeroy & Boch AG

Responsabilità

Il contenuto di queste pagine è stato redatto con grande attenzione. Tuttavia, il produttore non può assumersi la responsabilità per la correttezza, la completezza e lo stato aggiornato del contenuto. Villeroy & Boch AG è responsabile per il proprio contenuto, che rende disponibile per l'uso in conformità con le normative di legge generali. Il proprio contenuto deve essere differenziato dal contenuto messo a disposizione da altri fornitori di servizi per mezzo di riferimenti incrociati («collegamenti»). Nel caso in cui il produttore venga a conoscenza di contenuti collegati che comportino responsabilità civile o penale, provvederà a eliminare tali collegamenti.



Questo prodotto è conforme ai criteri di marcatura CE. Il certificato della dichiarazione di conformità può essere ottenuto presso Villeroy & Boch.

Contenuto

| | | |
|----------|---|-----------|
| 1 | Dati generali..... | 44 |
| 1.1 | Convenzioni utilizzate | 44 |
| 1.2 | Gruppi destinatari | 45 |
| 1.3 | Garanzia | 45 |
| 1.4 | Manutenzione e cura | 46 |
| 2 | Sicurezza..... | 46 |
| 2.1 | Uso previsto | 46 |
| 2.2 | Uso scorretto ragionevolmente prevedibile | 46 |
| 2.3 | Istruzioni di sicurezza generali | 47 |
| 3 | Dati tecnici..... | 48 |
| 3.1 | Allacciamento elettrico | 48 |
| 4 | Materiale fornito/utensili necessari..... | 50 |
| 5 | Installazione..... | 51 |
| 6 | Funzionamento..... | 52 |
| 6.1 | Funzionamento dei dispositivi Villeroy & Boch Mood Light / Emotion controller | 52 |
| 6.2 | Manutenzione dell'Emotion controller Villeroy & Boch | 53 |
| 6.3 | Temperatura dell'acqua della vasca | 54 |
| 7 | Messa fuori servizio..... | 55 |

1 Dati generali

Leggere attentamente le istruzioni per l'uso e l'installazione prima di utilizzare e installare l'unità. Le istruzioni per l'uso e l'installazione devono essere sempre tenute in un luogo facilmente accessibile da parte dell'utente.

1.1 Convenzioni utilizzate

Istruzioni di sicurezza



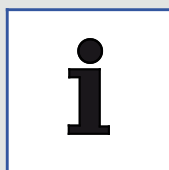
Attenzione!

Avvertenza di potenziale pericolo.
Esiste la possibilità di gravi lesioni fisiche o letali.



Cautela!

Avvertenza di situazioni potenzialmente pericolose.
Esiste la possibilità di leggere lesioni fisiche danni materiali.



Nota

Altre informazioni utili per le istruzioni di applicazione.

Istruzioni per attività

Le fasi da svolgere sono mostrate sotto forma di elenco numerato. La sequenza delle operazioni deve essere rispettata.

Esempio:

1. Fase dell'attività
2. Fase dell'attività

I risultati delle istruzioni per attività sono mostrati nel modo seguente:

Esempio:

- ▶ Freccia
- ▶ Freccia

Elenchi

Gli elenchi senza una sequenza cronologica fissa sono mostrati sotto forma di elenchi puntati.

Esempio:

- Voce 1
- Voce 2

Funzioni aggiuntive

Alcune funzioni non sono previste di serie in tutte le vasche da bagno.

Le funzioni opzionali sono contrassegnate in questo manuale con il seguente simbolo:



1.2 Gruppi destinatari

I gruppi destinatari di queste istruzioni per l'uso e l'installazione sono installatori, elettricisti e utenti.

Installatori:

su autorizzazione dell'utente, questi esperti eseguono lavori per i quali dispongono della necessaria competenza, acquisita attraverso un'istruzione professionale o formazione pratica paragonabile, in modo da essere in grado di eseguire lavori necessari in maniera esperta e appropriata dal punto di vista della sicurezza e del rischio. Il loro lavoro è guidato da istruzioni, verifiche e sotto la responsabilità di personale supervisore/esperto adeguatamente formato e incaricato dall'utente.

Elettricisti:



Questi esperti, sulla base della loro formazione tecnica, conoscenza ed esperienza, nonché della loro conoscenza delle norme e delle disposizioni applicabili, sono in grado di eseguire lavori su impianti elettrici e di rilevare ed evitare i possibili pericoli in modo indipendente. Gli elettricisti sono provvisti di speciale formazione per il sito in cui operano e hanno dimestichezza con le norme e le disposizioni applicabili.

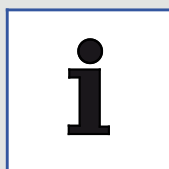
Utenti:

Questo dispositivo può essere utilizzato da bambini di età a partire dagli 8 anni e da persone con ridotte capacità fisiche, sensoriali o mentali o con scarsa esperienza e conoscenza, qualora abbiano ricevuto supervisione o istruzioni relative all'uso del dispositivo in maniera sicura e comprendono i pericoli correlati. I bambini non devono giocare con il dispositivo.



Attenzione!

La pulizia e la manutenzione non devono essere eseguite da bambini senza supervisione.



Nota

Non è consentito l'utilizzo della vasca da parte di bambini molto piccoli (0-3 anni) o da bambini piccoli (3-8 anni) senza una supervisione continua.

1.3 Garanzia

10 anni di garanzia del produttore dalla data di acquisto di questo prodotto di qualità.

La garanzia copre: difetti di fabbricazione, alterazioni e/o rotture dovute a una sollecitazione eccessiva del materiale e deformazioni causate dall'acqua calda. La garanzia è limitata alla riparazione o alla sostituzione dei prodotti Villeroy & Boch forniti.

L'illuminazione facoltativa Mood Light è coperta da una garanzia di 3 anni.

La garanzia è applicabile soltanto se il prodotto è stato installato e sottoposto a manutenzione conformemente alle nostre istruzioni di installazione e manutenzione. Essa perde validità nel momento in cui vengono eseguiti dei fori/installazioni per i sistemi Whirlpool da parte di fornitori terzi e nel caso in cui tali fori/installazioni non siano eseguiti conformemente alle istruzioni di installazione abbinate al prodotto.

Si prega di consultare il proprio installatore nell'eventualità di dover usufruire della garanzia. La garanzia non include danni consequenziali o i costi di installazione e rimozione.

1.4 Manutenzione e cura

Pulizia

Se pulita regolarmente con un detersivo liquido (Sunlight Citrux, Lux, Solo) e una spugna o spazzola morbida, la vasca da bagno manterrà le proprie qualità estetiche per molti anni. Se la vasca ha una finitura opaca, è consigliabile pulirla utilizzando sapone e abbondante acqua.

Rimozione della macchie ostinate

Il miglior modo per eliminare le macchie ostinate è utilizzando una spugna e un detersivo liquido (tipo Viss, Cif, Vif), diluito in acqua. I depositi di calcare si rimuovono meglio con una soluzione a base di aceto. Le vasche da bagno con una superficie esterna opaca non devono mai essere pulite con detersivi tipo Viss, Cif o Vif.

Resistenza ai prodotti chimici per uso domestico

La vasca da bagno Quaryl® è resistente a tutti i prodotti chimici disponibili in commercio.

Riparazione di eventuali danni

Nel caso la superficie venisse danneggiata, in determinate circostanze, sarà possibile far riparare il danno dal nostro servizio clienti. Vi invitiamo a contattare la nostra organizzazione vendite per procedere in tal senso.

2 Sicurezza

2.1 Uso previsto

Finion è una vasca da bagno Quaryl® indipendente ad uso domestico.

L'uso previsto comprende anche:

- il rispetto di tutte le indicazioni riportate nelle presenti istruzioni per l'uso e l'installazione
- il rispetto delle attività di ispezione e manutenzione
- l'uso esclusivo di ricambi originali

2.2 Uso scorretto ragionevolmente prevedibile

Ogni utilizzo diverso da quelli elencati in «uso previsto» o che esuli da quelli indicati è da considerarsi non previsto.

La responsabilità per i danni derivanti da un uso non previsto è esclusivamente a carico dell'operatore; il produttore non si assume alcuna responsabilità.



Nota

Non schiacciare o piegare il cavo.

2.3 Istruzioni di sicurezza generali



Applicabili soltanto per i prodotti con funzione "Mood Light".



Attenzione!

Pericolo di scossa elettrica.

Il contatto con parti sotto tensione può causare gravi lesioni e la morte.

- L'unità è progettata per funzionare con corrente alternata a 230 V e 50 Hz. L'installazione del prodotto deve essere eseguita esclusivamente da un installatore qualificato.
- Durante l'esecuzione dei lavori, assicurarsi che il cavo di alimentazione sia scollegato dalla presa elettrica e protetto per evitare che venga ricollegato.



Attenzione!

Pericolo di scossa elettrica.

Il contatto con parti sotto tensione può causare gravi lesioni e la morte.

- Le parti che contengono parti sotto tensione, ad eccezione delle parti alimentate in bassissima tensione di sicurezza non superiore a 12 V, non devono essere accessibili alla persona nella vasca.



Attenzione!

Pericolo di scossa elettrica durante la pulizia e la manutenzione.

Il contatto con componenti sotto tensione durante la pulizia e la manutenzione può causare gravi lesioni e la morte.

- Durante i lavori di pulizia e manutenzione assicurarsi di non toccare parti sotto tensione.



Attenzione!

Pericolo di scossa elettrica.

I componenti sotto tensione non montati o non fissati correttamente possono causare gravi lesioni e la morte.

- Il dispositivo può essere utilizzato soltanto con l'apposito alimentatore in dotazione.
- Tutti i componenti elettrici ed elettromagnetici del prodotto necessari per l'installazione (ad eccezione del telecomando) devono essere fissati saldamente a vasca/pavimento/parete nel rispetto delle istruzioni di installazione e delle normative nazionali.
- Per evitare lesioni e la morte, tutte le parti sotto tensione devono essere fissate saldamente a vasca/pavimento/parete nel rispetto delle istruzioni di installazione e delle normative nazionali.
- Altre parti sotto tensione che integrano componenti elettrici, ad eccezione dei dispositivi di telecomando, devono essere poste o fissate in modo da non poter cadere all'interno della vasca.

3 Dati tecnici

Vasca da bagno FINION

| | |
|---|---------------------|
| Dimensioni della vasca da bagno Finion: (lungxlargxaltxprof) | 1700/700/633/480 mm |
| Peso della vasca da bagno Finion: | 110 kg |

Mood Light disponibile su richiesta

| | |
|---|---|
| Tensione nominale | 230 VCA ($\pm 10\%$), 50 Hz (classe di protezione II, IPX5) |
| Potenza assorbita nominale | 30 W |
| Frequenza di segnale | 2,4 GHz |
| Distanza massima fra trasmettitore e ricevitore | 10 m |
| Gamma di temperature di esercizio | 5 ... 40 °C |
| Umidità | 5 % - 95 % non condensante / senza formazione di rugiada |

Emotion controller (telecomando) Villeroy & Boch

| | |
|-----------------------------------|---|
| Tensione nominale | 3 V $\pm 20\%$ CCV; protezione dai picchi di tensione: No |
| Batteria | CR 2032 3 V |
| Protezione polarità inadeguata | Meccanica: sì; elettrica: no |
| Interfaccia uscita | Protocollo seriale, telecomando 2,4 GHz |
| Tempo di reazione | Tipicamente 100 ms |
| Consumo in standby | Tipicamente 0,5 μ A |
| Temperatura di esercizio ambiente | 0 - 50 °C |
| Umidità | max. 95% non condensante |
| Classe di protezione IP | IPX4 |
| Autonomia a distanza | generalmente 15 m negli spazi chiusi |

Ingresso acqua

| | |
|----------------------------------|--------------|
| Pressione acqua minima e massima | non limitata |
|----------------------------------|--------------|

3.1 Allacciamento elettrico

| | |
|-------------|---|
| Paesi Bassi | conforme a NEN 1010 |
| Germania | conforme a DIN/VDE 0100 Parte 701 2008-10 |
| Belgio | conforme ad A.R.E.I. art. 86, 90, 93 |
| Inghilterra | conforme a BS 7671 |

| | |
|-------------|---|
| Francia | conforme a NF C 15-100 |
| altri paesi | conforme alle normative nazionali applicabili |



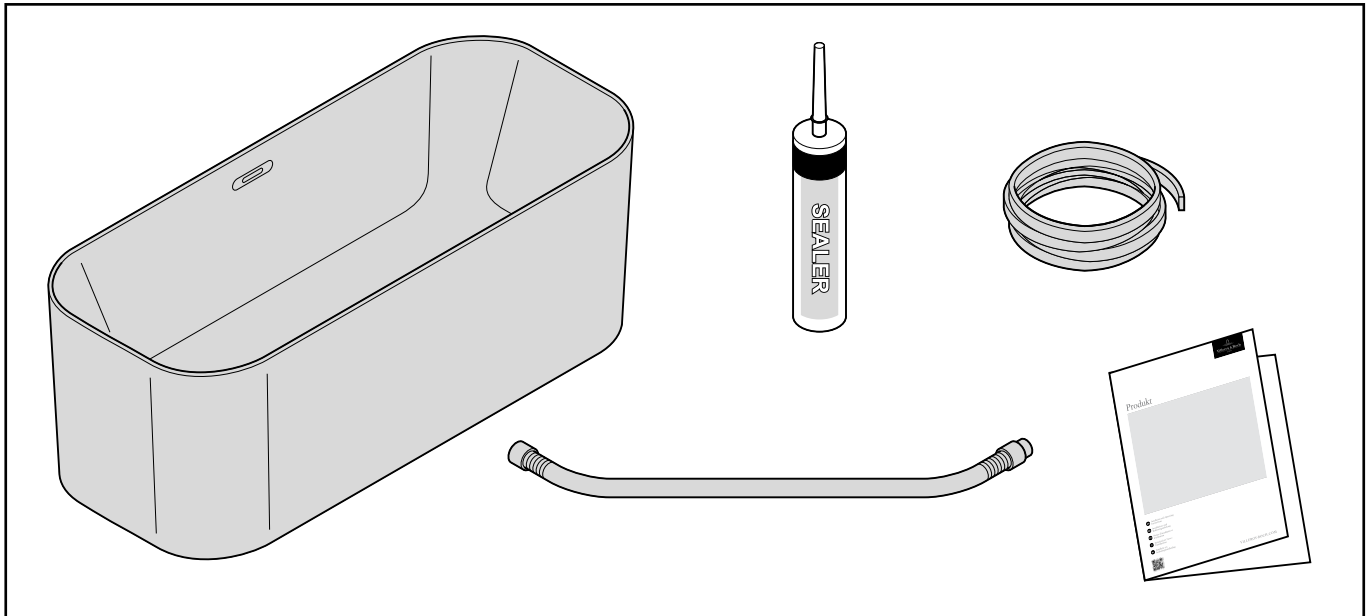
Nota

- Il sistema è conforme ai requisiti fissati per le apparecchiature in Classe II.
- Tipo Y, metodo di collegamento con cavo speciale: Se il cavo di alimentazione è danneggiato, deve essere sostituito dal produttore, da un suo rappresentante dell'assistenza o da personale dotato di qualifiche analoghe per evitare pericoli.
- Tutte le parti devono essere montate nella zona corretta. Lo spazio al di sotto della vasca non è considerato una di queste zone, e chiuso per mezzo di divisori che possono essere rimossi solo con l'uso di utensili.

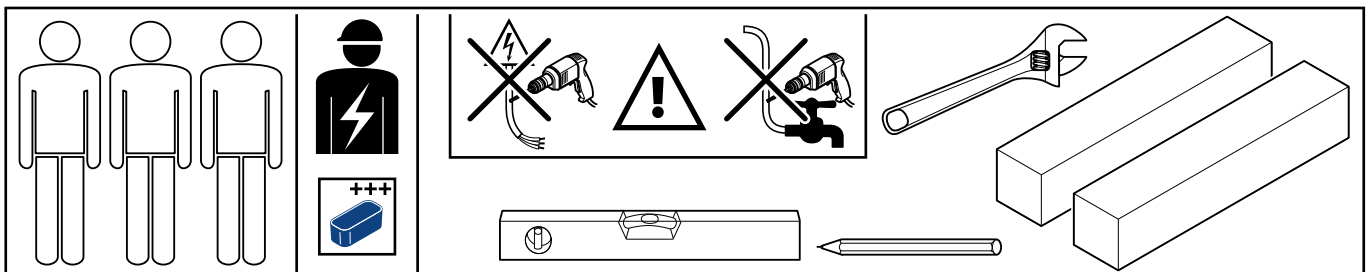
4 Materiale fornito/utensili necessari

Controllare l'integrità del materiale fornito alla consegna.

Materiale fornito



Utensili necessari



5 Installazione



Applicabile soltanto per i prodotti con funzione "Mood Light".



Attenzione!

Pericolo di scossa elettrica.

Il contatto con parti sotto tensione può causare gravi lesioni e la morte.

- L'unità è progettata per funzionare con corrente alternata a 230 V e 50 Hz. L'installazione del prodotto deve essere eseguita esclusivamente da un installatore qualificato.
- Durante l'esecuzione dei lavori, assicurarsi che il cavo di alimentazione sia scollegato dalla presa elettrica e protetto per evitare che venga ricollegato.



Attenzione!

Pericolo di scossa elettrica.

I componenti sotto tensione non montati o non fissati correttamente possono causare gravi lesioni e la morte.

- Tutti i componenti elettrici ed elettromagnetici del prodotto necessari per l'installazione (ad eccezione del telecomando) devono essere fissati saldamente a vasca/pavimento/parete nel rispetto delle istruzioni di installazione e delle normative nazionali.
- Per evitare lesioni e la morte, questo prodotto e altre parti sotto tensione devono essere fissati saldamente a vasca/pavimento/parete nel rispetto delle istruzioni di installazione e delle normative nazionali.
- Altre parti sotto tensione che integrano componenti elettrici, ad eccezione dei dispositivi di telecomando, devono essere applicate o fissate in modo da non poter cadere all'interno della vasca.

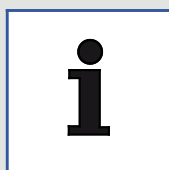


Attenzione!

Pericolo di scossa elettrica.

Il contatto con parti sotto tensione può causare gravi lesioni e la morte.

- L'alimentazione deve essere dotata di un interruttore di sicurezza che:
 - sia posto al di sotto della vasca in prossimità del quadro comandi.
 - agisca sul conduttore sotto tensione sia sul neutro.
 - abbia un'apertura del contatto superiore a 3 mm in posizione di spegnimento.
 - sia conforme ai requisiti di sicurezza IPX5.
- L'allacciamento elettrico deve essere protetto con un fusibile da 16 A e alimentato solo attraverso un interruttore differenziale (salvavita) (non deve essere posto in zone 1, 2 o 3) con una corrente differenziale nominale di funzionamento non superiore a 30 mA ($I_n = 25$ A), Classe A.



Nota

Mai collocare il prodotto vicino o sopra fonti di calore quali radiatori, termosifoni, stufe o altri tipi di dispositivi che generano calore.

Istruzioni di installazione, vedi [pagina 70](#).

6 Funzionamento

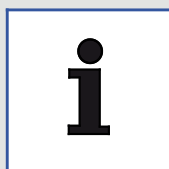


Attenzione!

Pericolo di scossa elettrica.

Il contatto con parti sotto tensione può causare gravi lesioni e la morte.

- Le parti che contengono parti sotto tensione, ad eccezione delle parti alimentate in bassissima tensione di sicurezza non superiore a 12 V, non devono essere accessibili alla persona nella vasca.



Nota

Le persone con movimenti rallentati/deboli, anziani e disabili dovrebbero prestare particolare attenzione nell'utilizzare la vasca, facendo in particolare molta attenzione nell'entrare e uscire dalla vasca.

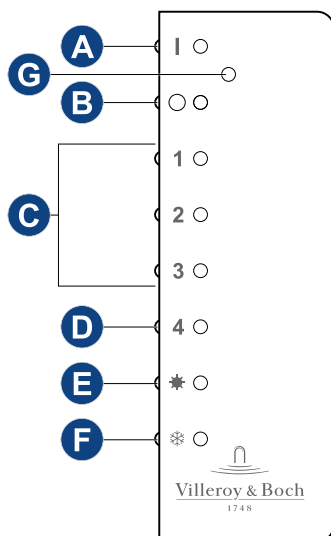
Leggere attentamente le istruzioni di sicurezza generali e di installazione prima di utilizzare l'unità.

6.1 Funzionamento dei dispositivi Villeroy & Boch Mood Light / Emotion controller



La vasca da bagno Finion può essere equipaggiata su richiesta con il dispositivo Mood Light. L'Emotion controller Villeroy & Boch per la gestione del dispositivo Mood Light non è compreso nella fornitura.

L'Emotion controller Villeroy & Boch è stato sviluppato specificamente per l'uso nei bagni. L'Emotion controller Villeroy & Boch è un telecomando a 4 canali utilizzabile per regolare fino a tre canali luminosi. Il quarto canale è riservato al controllo del riscaldatore specchio.



Emotion controller Villeroy & Boch

- A** Accende tutte le luci in una volta
- B** Spegne tutte le luci in una volta
- C** I pulsanti da 1 a 3 servono ad accendere e spegnere le singole luci
- D** Attiva il riscaldamento specchio (spegnimento automatico dopo 30 min)
- E** Impostazione bianco caldo
- F** Impostazione bianco freddo
- G** LED di segnalazione

Il pulsante 2 sull'Emotion controller Villeroy & Boch è pre-programmato per funzionare con la funzione Finion Mood Light. Attivando e tenendo premuto il pulsante 2, l'intensità della luce aumenta continuamente. L'intensità arriva al livello di attenuazione massimo dopo aver raggiunto la massima intensità.

6.2 Manutenzione dell'Emotion controller Villeroy & Boch



Sostituzione della batteria



Attenzione!

Pericolo di ustione chimica in caso di ingestione della batteria!

Se ingerita, la batteria moneta/bottone, può causare gravi ustioni interne in appena 2 ore con possibili conseguenze fatali.

- Tenere le batterie nuove ed usate fuori dalla portata dei bambini.
- Se il vano batteria non si chiude saldamente, smettere di utilizzare il prodotto e tenerlo fuori dalla portata dei bambini.
- Se si pensa che la batteria possa essere stata ingerita o posta in qualsiasi parte del corpo, rivolgersi immediatamente a un medico.



Attenzione!

Pericolo di esplosione nel caso di sostituzione sbagliata della batteria!

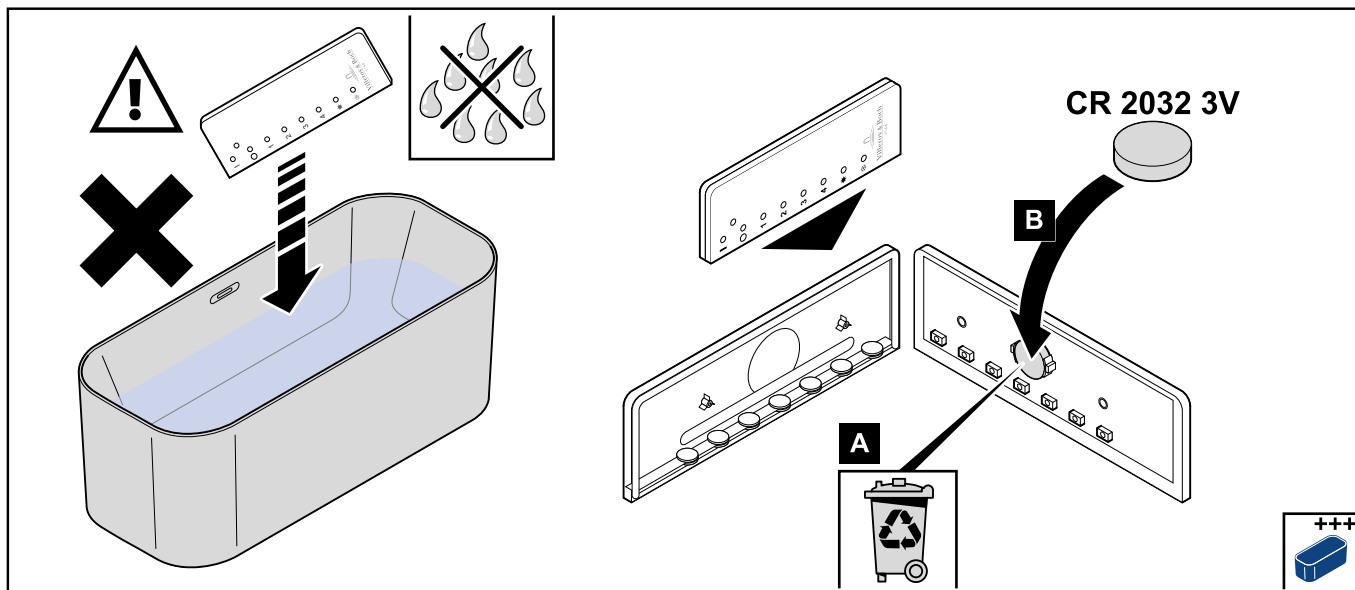
Una sostituzione sbagliata della batteria può causare lesioni gravi.

- Sostituire la batteria soltanto con una batteria uguale o di tipo equivalente.



Nota

Le batterie del telecomando non vanno esposte al calore eccessivo come sole, fuoco o simili.



1. Allentare le due viti sul retro dell'alloggiamento.
2. Aprire il coperchio e sostituire la batteria.
3. Chiudere nuovamente il coperchio.
Accertarsi che la guarnizione sia a filo con il bordo dell'alloggiamento.
4. Fissare nuovamente il coperchio con le due viti.

6.3 Temperatura dell'acqua della vasca



Applicabile soltanto per i prodotti con funzione "Mood Light".



Cautela!

Danni materiali a causa di temperature troppo elevate.

Temperature superiori a 50 °C possono causare danni al sistema e ai relativi componenti.

- La temperatura dell'acqua della vasca non deve superare i 50 °C.

7 Messa fuori servizio



Riciclare le apparecchiature elettroniche o smaltirle correttamente. Non smaltire le apparecchiature elettroniche nei rifiuti domestici. Rispettare le normative locali.



Attenzione!

Pericolo di scossa elettrica.

Il contatto con parti sotto tensione può causare gravi lesioni e la morte.

- Far eseguire la messa fuori servizio e le riparazioni da un elettricista.
- Prima di disabilitare il sistema audio, assicurarsi che la vasca da bagno non contenga acqua.

Procedura di disabilitazione

1. Scollegare la linea elettrica dall'alimentazione e metterla in sicurezza per evitare che venga ricollegata.
2. Staccare i collegamenti dei cavi.

Impressum

Villeroy & Boch AG

Saaruferstraße

66693 Mettlach

Duitsland

Telefoon: +49 (0) 68 64 / 8 10

E-mail information@villeroy-boch.com

www.villeroy-boch.com

Het downloaden en gebruiken van afbeeldingen van onze websites is zonder schriftelijke toestemming van Villeroy & Boch AG niet toegestaan.

Raad van bestuur

Frank Göring (Voorzitter)

Andreas Pfeiffer

Nicolas Luc Villeroy

Dr. Markus Warncke

Raad van toezicht

Yves Elsen (Voorzitter van de raad van toezicht)

Inschrijving

Amtsgericht Saarbrücken, HRB 63610

Btw-nummer

Villeroy & Boch AG: 020/100/00087

Copyright

Villeroy & Boch AG

Aansprakelijkheid

De inhoud van onze websites wordt met de grootst mogelijke zorgvuldigheid samengesteld. Wij kunnen echter niet garant staan voor de juistheid, volledigheid en actualiteit van de inhoud. Villeroy & Boch AG is voor de eigen inhoud, die zij ter beschikking stelt voor gebruik, verantwoordelijk overeenkomstig de algemene wetgeving. Deze eigen inhoud is te onderscheiden van kruisverwijzingen ("links") naar de door andere aanbieders samengestelde inhoud. Indien wij vernemen dat de gekoppelde inhoud een civiel- of strafrechtelijke aansprakelijkheid oproept, zullen wij deze links verwijderen.



Dit product voldoet aan alle criteria voor CE-markering. De conformiteitsverklaring is verkrijgbaar via Villeroy & Boch.

Inhoudsopgave

| | | |
|----------|---|-----------|
| 1 | Algemene informatie..... | 58 |
| 1.1 | Gebruikte conventies | 58 |
| 1.2 | Doelgroepen | 59 |
| 1.3 | Garantie | 59 |
| 1.4 | Onderhoud en verzorging | 60 |
| 2 | Veiligheid..... | 60 |
| 2.1 | Beoogd gebruik | 60 |
| 2.2 | Redelijkerwijs te voorzien onbedoeld gebruik | 60 |
| 2.3 | Algemene veiligheidsinstructies | 61 |
| 3 | Technische gegevens..... | 62 |
| 3.1 | Elektrische aansluiting | 62 |
| 4 | Leveringsomvang/benodigd gereedschap..... | 64 |
| 5 | Installatie..... | 65 |
| 6 | Bediening..... | 66 |
| 6.1 | Werking Villeroy & Boch Mood Light / Emotion controller | 66 |
| 6.2 | De Villeroy & Boch Emotion controller onderhouden | 67 |
| 6.3 | Badwatertemperatuur | 68 |
| 7 | Buitenbedrijfstelling..... | 69 |

1 Algemene informatie

Lees de installatie- en bedieningshandleiding aandachtig door voordat u het apparaat installeert en in gebruik neemt. Bewaar de installatie- en bedieningshandleiding altijd op een plek die gemakkelijk bereikbaar is voor de gebruiker.

1.1 Gebruikte conventies

Veiligheidsinstructies



Waarschuwing!

Waarschuwing voor potentieel gevaar.
Ernstig of dodelijk letsel mogelijk.



Voorzichtig!

Waarschuwing voor potentieel gevaarlijke situaties.
Licht lichamelijk letsel of materiële schade mogelijk.



Opmerking

Andere nuttige informatie voor toepassingsinstructies.

Uitvoeringsinstructies

Uit te voeren stappen worden als genummerde punten weergegeven. De volgorde van de stappen dient te worden nageleefd.

Voorbeeld:

1. Uitvoeringsstap
2. Uitvoeringsstap

Resultaten van een uitvoeringsinstructie worden als volgt weergegeven:

Voorbeeld:

- ▶ Pijl
- ▶ Pijl

Opsommingen

Opsommingen zonder verplichte volgorde worden met opsommingspunten weergegeven.

Voorbeeld:

- Punt 1
- Punt 2

Aanvullende functies

Sommige kenmerken zijn niet standaard op alle badkuipen.

Deze opties zijn in deze handleiding met het volgende symbool gemarkeerd:



1.2 Doelgroepen

Onder de doelgroep van deze installatie- en bedieningshandleiding vallen installateurs, elektriciens en gebruikers.

Installateurs:

Deze vakmensen voeren met autorisatie van de gebruiker werkzaamheden uit, waarvoor ze door het volgen van een beroepsopleiding of een vergelijkbare commerciële opleiding over de noodzakelijke kennis beschikken om deze klussen professioneel en correct, evenals veilig en zonder risico's, uit te kunnen voeren. Hun werk valt onder de instructie, controle en verantwoording van geschoold toezichthoudend personeel/technisch personeel, dat door de gebruiker is aangewezen.

Elektriciens:



Deze vakmensen zijn op basis van hun technische opleiding, kennis en ervaring, evenals kennis van de relevante normen en voorschriften, in staat om werkzaamheden aan elektrische apparatuur te verrichten en potentiële risico's zelfstandig te herkennen en te voorkomen. De elektriciens zijn opgeleid voor de specifieke gebruikslocatie waarop zij werkzaam zijn en kennen de relevante normen en voorschriften.

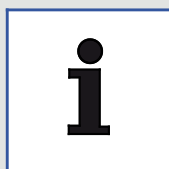
Gebruikers:

Kinderen vanaf een leeftijd van 8 jaar, personen met beperkte lichamelijke, sensorische of geestelijke vermogens of personen met een gebrek aan ervaring of kennis mogen dit apparaat alleen gebruiken als ze worden begeleid of geïnstrueerd, en als ze begrijpen hoe het apparaat veilig kan worden bediend en welke gevaren er voor hen bestaan. Kinderen mogen niet met het apparaat spelen.



Waarschuwing!

Reiniging en onderhoud mogen niet door kinderen zonder toezicht worden uitgevoerd.



Opmerking

De badkuip mag niet worden gebruikt door hele jonge kinderen (0-3 jaar) en mag niet worden gebruikt door jonge kinderen (3-8 jaar) zonder permanent toezicht.

1.3 Garantie

Wij bieden een fabrieksgarantie van 10 jaar vanaf de aankoopdatum van dit kwaliteitsproduct.

De garantie omvat: fabricagefouten, kleurverschillen en/of barsten als gevolg van materiaalmoetheid en vervorming veroorzaakt door warm water. De garantie beperkt zich tot de reparatie of vervanging van de geleverde Villeroy & Boch producten.

Het optionele Mood Light wordt gedekt door een garantie van 3 jaar.

De garantie is alleen van toepassing als het product geïnstalleerd en onderhouden is volgens onze installatie- en onderhoudsvoorschriften. De garantie vervalt zodra bijvoorbeeld gaten/installaties voor Whirlpool-systemen door andere leveranciers worden gemaakt en indien gaten/installaties zijn gemaakt die niet overeenstemmen met de installatievoorschriften van dit product.

Neem contact op met uw installateur als u een beroep op de garantie moet doen. De garantie omvat geen gevolgschade of installatie- en demontagekosten.

1.4 Onderhoud en verzorging

Reiniging

Uw badkuip zal jarenlang knap ogen als u hem regelmatig schoonmaakt met een vloeibaar reinigingsmiddel (Sunlight Citrus, Lux, Solo) en een spons of zachte borstel. Als uw bad een matte afwerking heeft, dan reinigt u het best met zeep en heel veel water.

Hardnekkige vlekken verwijderen

Hardnekkige vlekken worden best verwijderd met een spons en een vloeibaar reinigingsmiddel (zoals Viss, Cif, Vif), verdund met water. Afzettingen van aanslag worden best verwijderd met een azijnoplossing. Badkuipen met een matte buitenkant mogen nooit worden schoongemaakt met reinigingsmiddelen als Viss, Cif of Vif.

Resistentie tegen huishoudchemicaliën

De Quaryl® badkuip is resistent tegen alle chemicaliën die in de handel verkrijgbaar zijn.

Schadeherstel

Als het oppervlak wordt beschadigd, kan het in bepaalde omstandigheden mogelijk zijn om deze schade te laten herstellen door onze klantendienst. Neem contact met onze verkooporganisatie om dit af te handelen.

2 Veiligheid

2.1 Beoogd gebruik

Finion is een vrijstaande Quaryl® badkuip bedoeld om te baden in huishoudelijk gebruik.

Onder het beoogde gebruik vallen ook:

- het naleven van alle instructies in deze installatie-/bedieningshandleiding
- het uitvoeren van de inspectie- en onderhoudswerkzaamheden
- het uitsluitend gebruiken van originele onderdelen

2.2 Redelijkerwijs te voorzien onbedoeld gebruik

Elke andere vorm van gebruik dan het onder 'Beoogd gebruik' vastgelegde of hieraan voorbijgaande gebruik geldt als onbedoeld.

Voor schade die voortkomt uit onbedoeld gebruik, draagt de exploitant de volledige verantwoordelijkheid; de fabrikant is op geen enkele wijze aansprakelijk.



Opmerking

Plet of knik de kabel niet.

2.3 Algemene veiligheidsinstructies



Geldt alleen voor producten met de functie "Mood Light".



Waarschuwing!

Gevaar voor elektrocutie!

Het aanraken van stroomvoerende delen kan tot ernstig letsel of zelfs de dood leiden.

- Uw apparaat is ontworpen voor aansluiting op een stroomnet met een wisselspanning van 230 V/50 Hz. Het product mag alleen worden geïnstalleerd door een erkende installateur.
- Zorg er tijdens het uitvoeren van de werkzaamheden voor dat de netstekker uit het stopcontact is getrokken en tegen het opnieuw aansluiten is beveiligd.



Waarschuwing!

Gevaar voor elektrocutie!

Het aanraken van stroomvoerende delen kan tot ernstig letsel of zelfs de dood leiden.

- Stroomvoerende delen, met uitzondering van delen onder een zeer lage veiligheidsspanning tot 12 V, moeten voor een persoon in het bad onbereikbaar zijn.



Waarschuwing!

Gevaar voor elektrocutie bij het schoonmaken en tijdens onderhoud!

Het aanraken van stroomvoerende delen bij het schoonmaken en tijdens onderhoud kan tot ernstig letsel of zelfs de dood leiden.

- Raak stroomvoerende delen bij het schoonmaken en tijdens onderhoud niet aan.



Waarschuwing!

Gevaar voor elektrocutie!

Stroomvoerende delen die niet of niet goed zijn gemonteerd, kunnen tot ernstig letsel of zelfs de dood leiden.

- Het apparaat mag alleen worden gebruikt met de stroomvoorzieningseenheid die samen met het apparaat wordt geleverd.
- Alle elektrische, elektromagnetische componenten van het product en die nodig zijn voor de installatie (met uitzondering van de afstandsbediening) moeten conform de installatievoorschriften en de nationale voorschriften stevig bevestigd zijn aan de badkuip/vloer/wand.
- Om letsel of zelfs de dood te voorkomen, moeten alle stroomvoerende delen conform de installatievoorschriften en de nationale voorschriften stevig bevestigd zijn aan de badkuip/vloer/wand.
- Andere onderdelen die elektrische componenten bevatten, met uitzondering van afstandsbedieningen, moeten zodanig worden geplaatst of gemonteerd dat deze niet in de badkuip kunnen vallen.

3 Technische gegevens

FINION badkuip

| | |
|---|---------------------|
| Afmetingen van de Finion badkuip: (L/B/H/D) | 1700/700/633/480 mm |
| Gewicht van de Finion badkuip | 110 kg |

Optie Mood Light

| | |
|---|---|
| Nominale spanning | 230 VAC ($\pm 10\%$), 50 Hz (beschermingsklasse II, IPX5) |
| Nominaal stroomverbruik | 30 W |
| Signaalfrequentie | 2,4 GHz |
| Maximale afstand tussen zender en ontvanger | 10 m |
| Bedrijfstemperatuurbereik | 5 ... 40 °C |
| Vochtigheid | 5 % - 95 % niet condenserend/geen dauwvorming |

Villeroy & Boch Emotion controller (afstandsbediening)

| | |
|---------------------------------|--|
| Nominale spanning | 3 V \pm 20 % DCV; Beveiliging spanningspieken: nee |
| Accu | CR 2032 3 V |
| Foutieve polariteitsbeveiliging | Mechanisch: ja; elektrisch: nee |
| Interface uitgangsvermogen | Serieel protocol, afstandsbediening 2,4 GHz |
| Reactietijd | doorgaans 100 ms |
| Stroomverbruik in stand-by | Doorgaans 0,5 μ A |
| Omgevingsbedrijfstemperatuur | 0 - 50 °C |
| Vochtigheid | max. 95 % niet condenserend |
| IP beschermingsklasse | IPX4 |
| Afstandsbereik | doorgaans 15 m binnen |

Waterinlaat

| | |
|--------------------------------|--------------|
| Minimale en maximale waterdruk | niet beperkt |
|--------------------------------|--------------|

3.1 Elektrische aansluiting

| | |
|-----------|---------------------------------------|
| Nederland | conform NEN 1010 |
| Duitsland | conform DIN/VDE 0100 Deel 701 2008-10 |
| België | conform A.R.E.I. art. 86, 90, 93 |
| Engeland | conform BS 7671 |
| Frankrijk | conform NF C 15-100 |

andere landen

conform de geldende nationale voorschriften



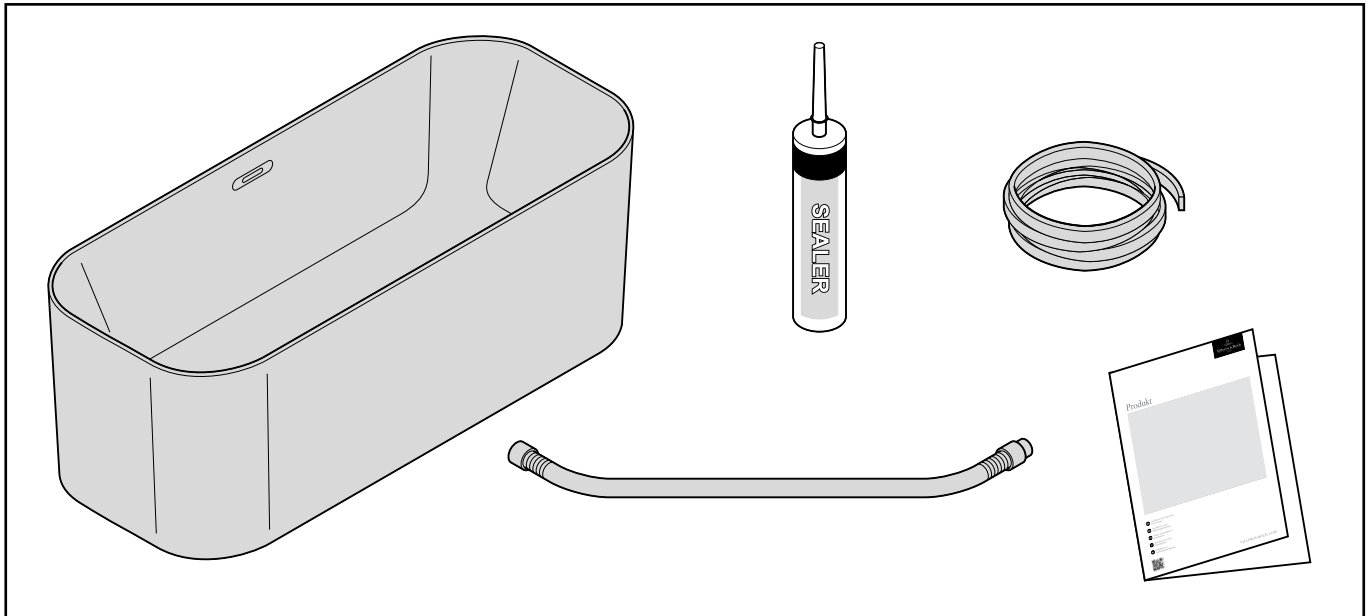
Opmerking

- Het systeem voldoet aan de voorgeschreven eisen voor klasse II-apparatuur.
- Type Y, aansluitmethode met een speciale kabel: een beschadigde voedingskabel mag alleen worden vervangen door de fabrikant, zijn serviceorganisatie of door gelijkwaardig gekwalificeerde personen om gevaarlijke situaties te voorkomen.
- Alle onderdelen moeten in de juiste zone worden gemonteerd. De ruimte onder het bad wordt niet als een van deze zones beschouwd als de ruimte is afgesloten door middel van schotten die alleen met behulp van gereedschap kunnen worden verwijderd.

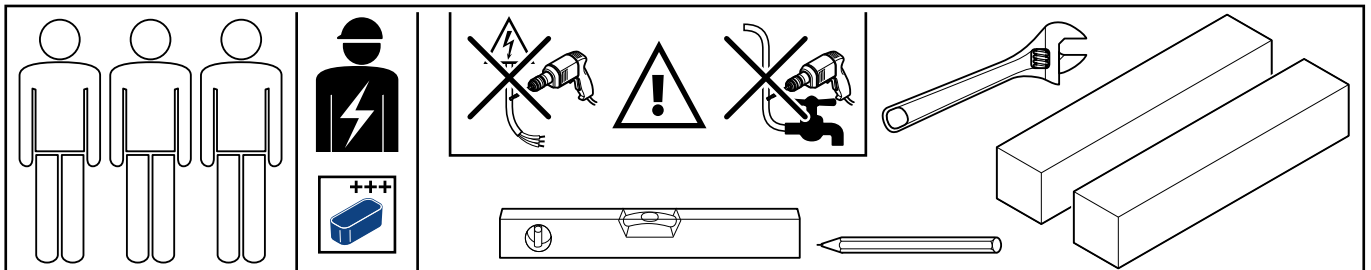
4 Leveringsomvang/benodigd gereedschap

Controleer of de inhoud van de verpakking compleet is bij aflevering.

Leveringsomvang



Benodigd gereedschap



5 Installatie



Geldt alleen voor producten met de functie "Mood Light".



Waarschuwing!

Gevaar voor elektrocutie!

Het aanraken van stroomvoerende delen kan tot ernstig letsel of zelfs de dood leiden.

- Uw apparaat is ontworpen voor aansluiting op een stroomnet met een wisselspanning van 230 V/50 Hz. Het product mag alleen worden geïnstalleerd door een erkende installateur.
- Zorg er tijdens het uitvoeren van de werkzaamheden voor dat de netstekker uit het stopcontact is getrokken en tegen het opnieuw aansluiten is beveiligd.



Waarschuwing!

Gevaar voor elektrocutie!

Stroomvoerende delen die niet of niet goed zijn gemonteerd, kunnen tot ernstig letsel of zelfs de dood leiden.

- Alle elektrische, elektromagnetische componenten van het product en die nodig zijn voor de installatie (met uitzondering van de afstandsbediening) moeten conform de installatievoorschriften en de nationale voorschriften stevig bevestigd zijn aan de badkuip/vloer/wand.
- Om letsel of zelfs de dood te voorkomen, moeten dit product en andere stroomvoerende delen conform de installatievoorschriften en de nationale voorschriften stevig bevestigd zijn aan de badkuip/vloer/wand.
- Andere onderdelen die elektrische componenten bevatten, met uitzondering van afstandsbedieningen, moeten zodanig worden geplaatst of gemonteerd dat deze niet in de badkuip kunnen vallen.

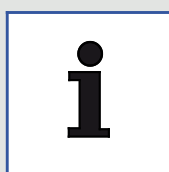


Waarschuwing!

Gevaar voor elektrocutie!

Het aanraken van stroomvoerende delen kan tot ernstig letsel of zelfs de dood leiden.

- In de stroomvoorziening moet een onderbrekingsschakelaar worden geïnstalleerd:
 - die onder de badkuip in de buurt van de regelkast wordt geplaatst.
 - die zowel de fase als de nul moet schakelen.
 - die in de stand UIT een contactopening van meer dan 3 mm heeft.
 - die voldoet aan de veiligheidsvoorschriften van IPX5.
- De elektrische aansluiting moet via een 16 A-zekering worden beveiligd en mag alleen worden uitgevoerd via een aardlekschakelaar (deze mag niet worden aangebracht in zone 1, 2 of 3) met een aardlekstroom van maximaal 30 mA ($I_n = 25 \text{ A}$), klasse A.



Opmerking

Plaats het product nooit in de buurt van of boven warmtebronnen zoals radiatoren, warmteroosters, kachels of andere toestellen die warmte produceren.

Installatievoorschriften, zie [pagina 70](#).

6 Bediening



Waarschuwing!

Gevaar voor elektrocutie!

Het aanraken van stroomvoerende delen kan tot ernstig letsel of zelfs de dood leiden.

- Stroomvoerende delen, met uitzondering van delen onder een zeer lage veiligheidsspanning tot 12 V, moeten voor een persoon in het bad onbereikbaar zijn.



Opmerking

Mensen die traag bewegen/zwak zijn of invaliden moeten oppassen bij het gebruik van de badkuip en moeten extra voorzichtig zijn bij het in- en uitstappen.

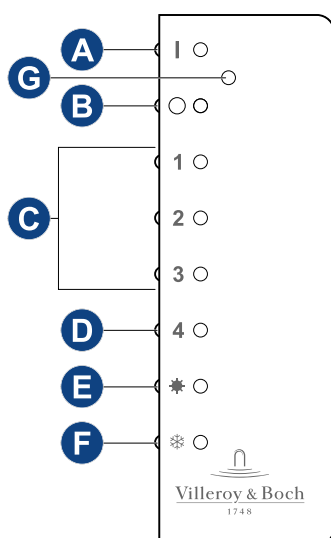
Lees de algemene veiligheids- en installatievoorschriften aandachtig door voordat u het apparaat in gebruik neemt.

6.1 Werking Villeroy & Boch Mood Light / Emotion controller



De Finion badkuip kan worden uitgerust met Mood Light als optie. De Villeroy & Boch Emotion controller om het Mood Light te bedienen, is niet bij de levering inbegrepen.

De Villeroy & Boch Emotion controller is speciaal ontwikkeld voor gebruik in badkamers. De Villeroy & Boch Emotion controller is een 4-kanaals controller die kan worden gebruikt om maximaal drie lichtkanalen te regelen. Het vierde kanaal is voorbehouden om de spiegelverwarming te bedienen.



Villeroy & Boch Emotion controller

- A Schakelt al de lichten in één keer in
- B Schakelt al de lichten in één keer uit
- C De knoppen 1 tot 3 schakelen de individuele lichten in en uit
- D Schakelt de spiegelverwarming in (automatische uitschakeling na 30 min.)
- E Instelling warm wit
- F Instelling koud wit
- G Signaalled

Knop 2 op de Villeroy & Boch Emotion controller is vooraf geprogrammeerd om de Finion Mood Light functie te bedienen. Als knop 2 geactiveerd is en wordt ingedrukt, neemt de intensiteit van het licht voortdurend toe. De intensiteit gaat naar het meest gedimde stadium nadat de maximale intensiteit is bereikt.

6.2 De Villeroy & Boch Emotion controller onderhouden



De batterij vervangen



Waarschuwing!

Risico op chemische verbranding door de batterij in te slikken!

Als de knoopcelbatterij wordt ingeslikt, kan dit ernstige inwendige brandwonden veroorzaken in slechts 2 uur en kan dit tot de dood leiden.

- Houd nieuwe en gebruikte batterijen buiten het bereik van kinderen.
- Als het batterijvak niet veilig sluit, stop dan met het product te gebruiken en houd het buiten het bereik van kinderen.
- Als u denkt dat de batterijen misschien zijn ingeslikt of in een lichaamsdeel zijn geplaatst, roep dan onmiddellijk medische bijstand in.



Waarschuwing!

Explosiegevaar door batterijen foutief te vervangen!

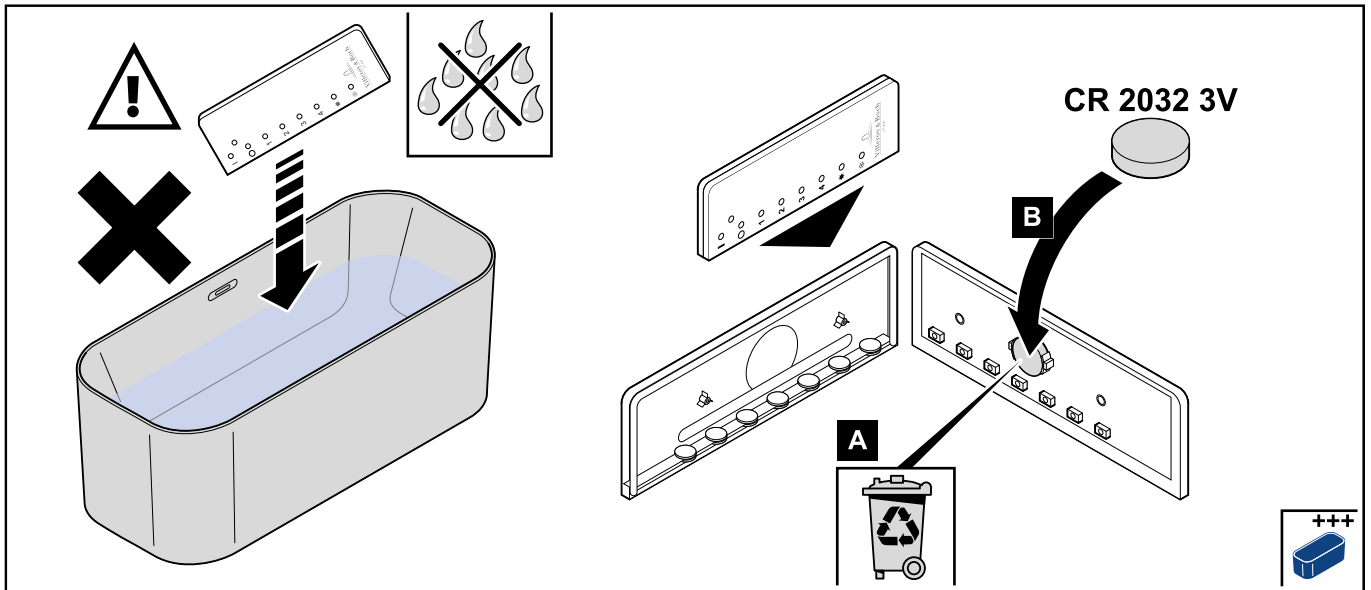
Batterijen foutief vervangen kan ernstige letsels veroorzaken.

- Vervang de batterij alleen door dezelfde of een gelijkwaardig type batterij.



Opmerking

De batterijen van de afstandsbediening mogen niet worden blootgesteld aan overmatige hitte zoals zonneschijn, vuur en dergelijke.



1. Maak de twee schroeven op de achterkant van de behuizing los.
2. Open het deksel en vervang de batterij.
3. Sluit het deksel opnieuw.
Zorg ervoor dat de zegel vlak met de rand van de behuizing wordt geplaatst.
4. Maak het deksel weer vast met de twee schroeven.

6.3 Badwatertemperatuur



Geldt alleen voor producten met de functie "Mood Light".



Voorzichtig!

Materiële schade als gevolg van te hoge temperaturen!

Temperaturen hoger dan 50 °C kunnen schade aan het systeem en de bijbehorende onderdelen veroorzaken.

- Het badwater mag niet warmer zijn dan 50 °C.

7 Buitenbedrijfstelling



Recycle elektronische apparatuur of voer deze af op de juiste wijze af. Voer elektronische apparatuur niet via het huisvuil af. Neem de plaatselijk geldende voorschriften in acht.



Waarschuwing!

Gevaar voor elektrocutie!

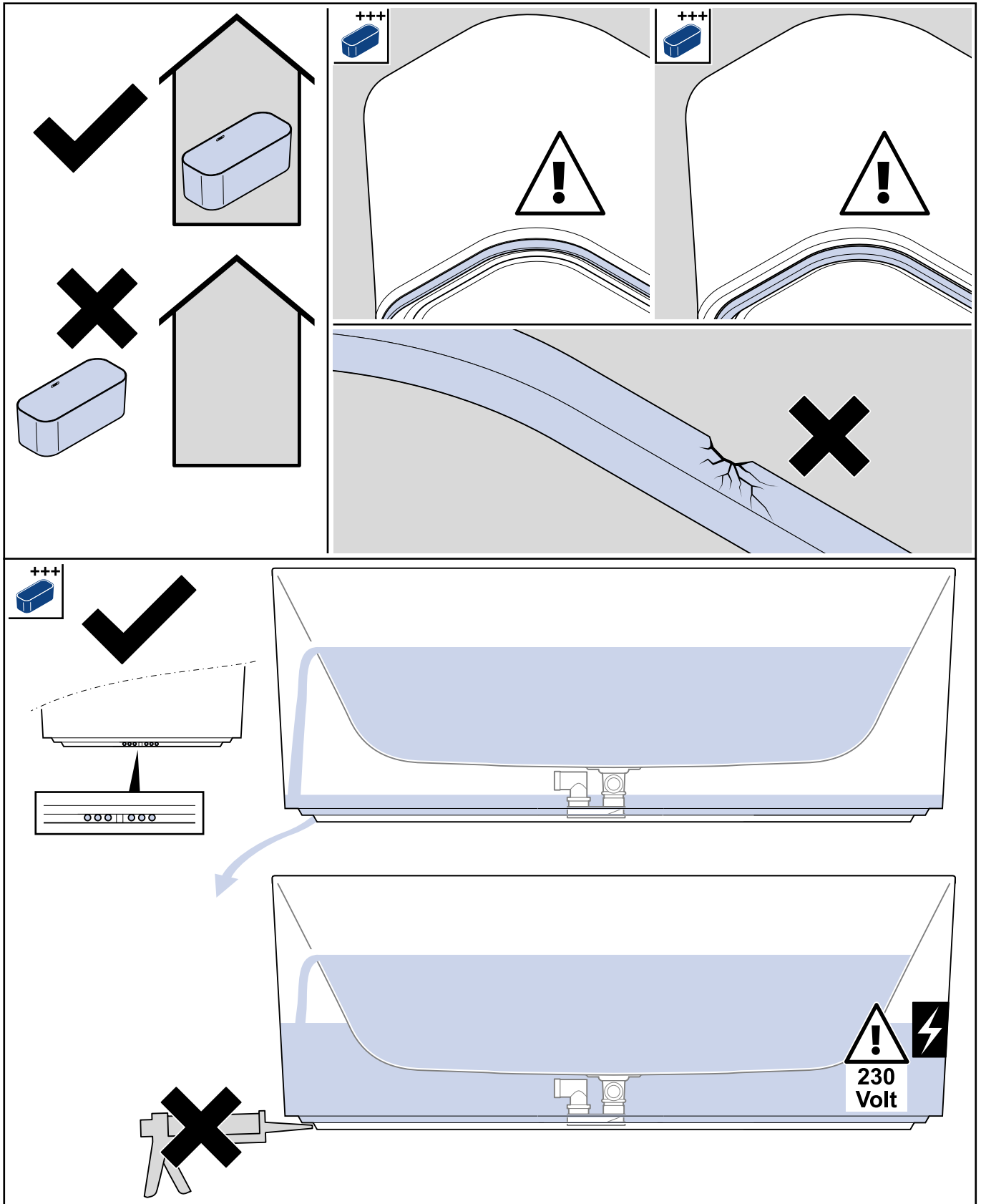
Het aanraken van stroomvoerende delen kan tot ernstig letsel of zelfs de dood leiden.

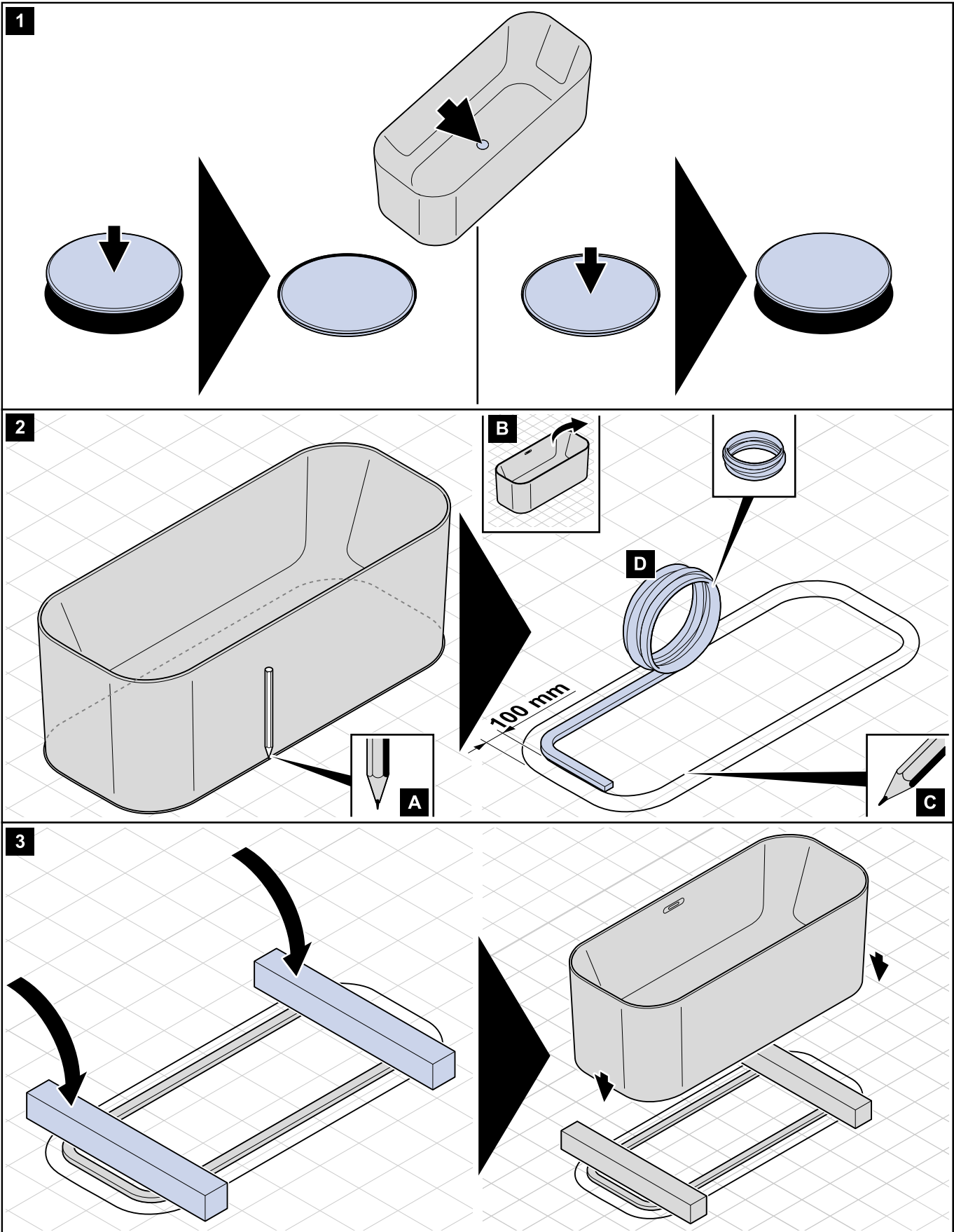
- Laat de buitenbedrijfstelling en reparaties uitvoeren door een elektricien.
- Er mag zich geen water in de badkuip bevinden wanneer u het soundsysteem permanent uitschakelt.

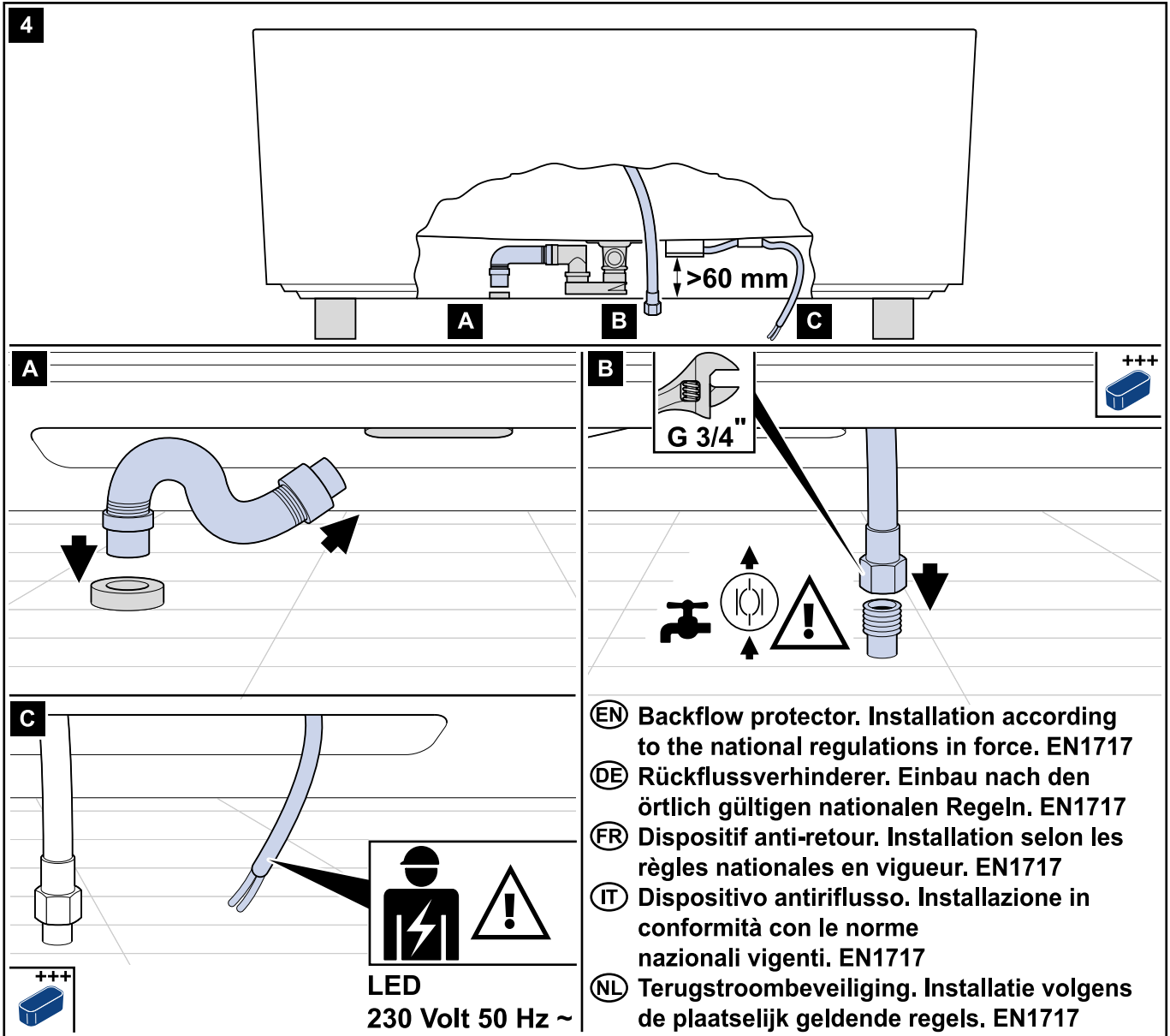
Procedure voor permanent uitschakelen

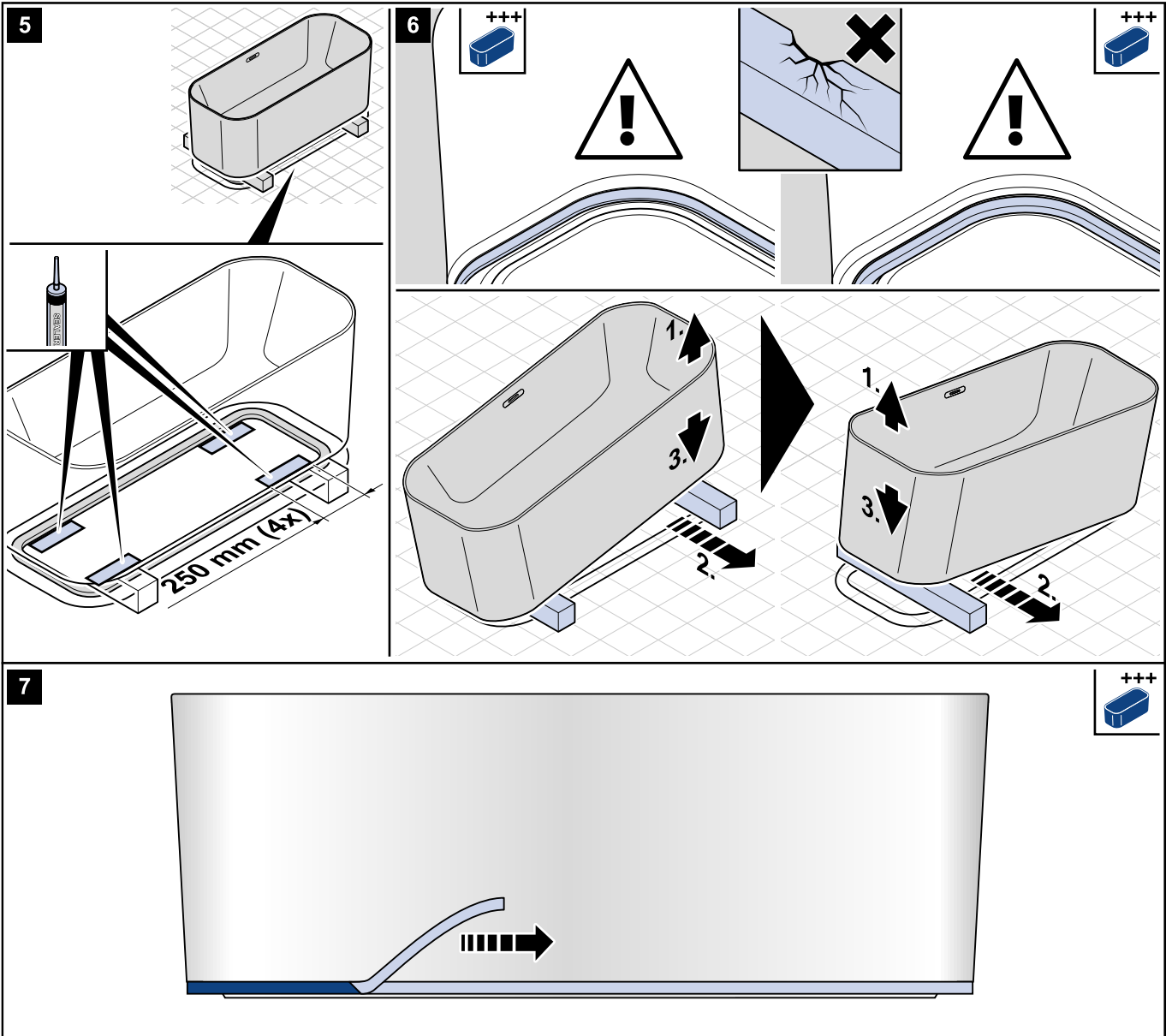
1. Schakel de spanning uit en zorg dat deze niet opnieuw kan worden ingeschakeld.
2. Koppel de kabels los.

Installation









VILLEROY & BOCH

GERMANY

*Villeroy & Boch AG
Bathroom and Wellness Division
Headquarters
66693 Mettlach
Germany*

Tel: +49 (0) 68 64 / 81 0

Fax: +49 (0) 68 64 / 81 1484