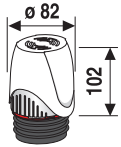
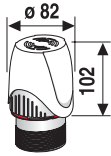


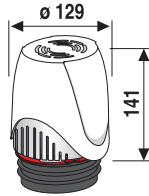
Montage - Installation



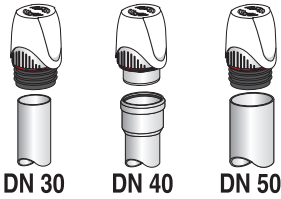
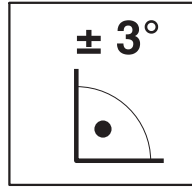
DN 30 - 50



G 1 1/2
DN 40-50



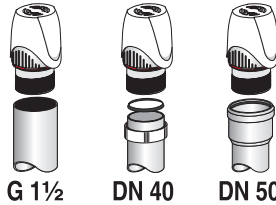
DN 70 - 100



DN 30

DN 40

DN 50



G 1 1/2

DN 40

DN 50



DN 70

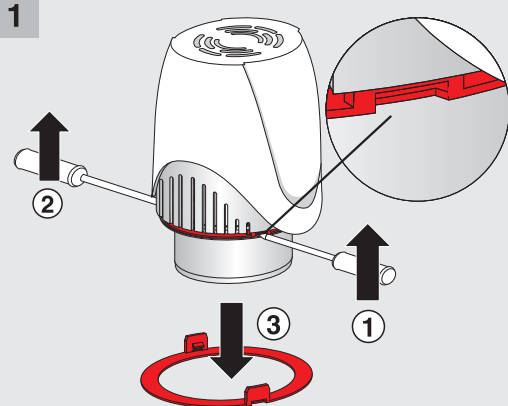


DN 90

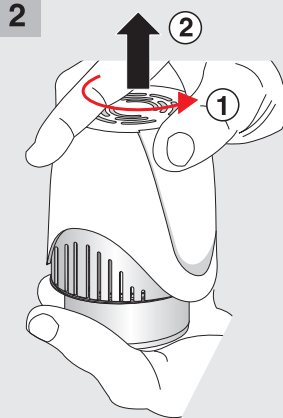


DN 100

Wartung/Inspektion - Service



1



2



3

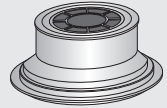
Service

DN 30 - 50



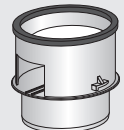
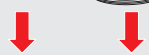
Art. Nr. 03.819.00..0099

DN 70 - 100

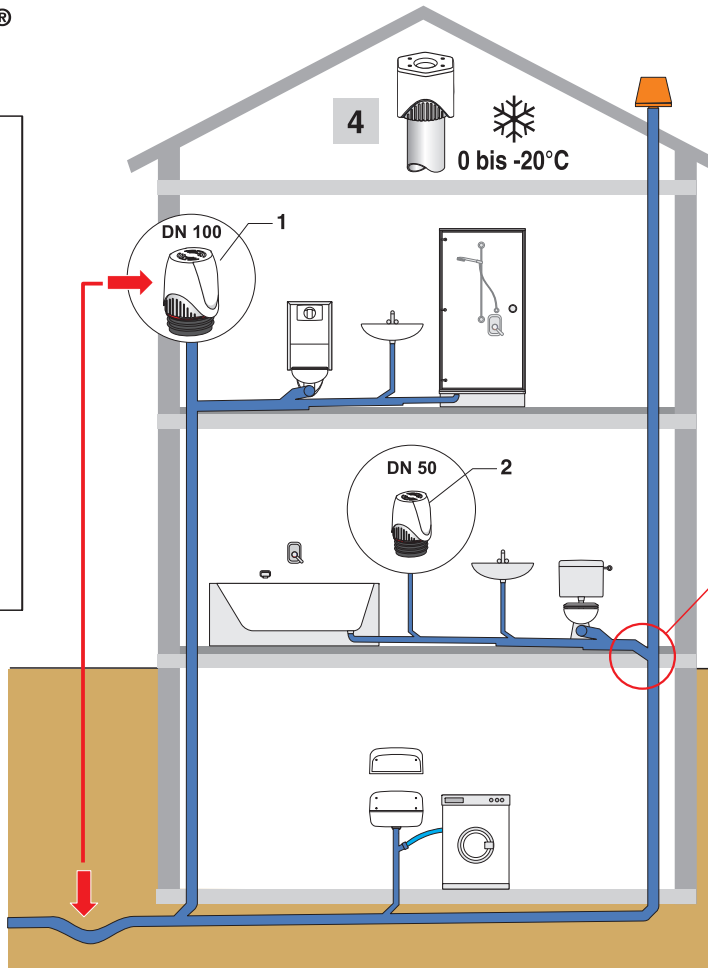
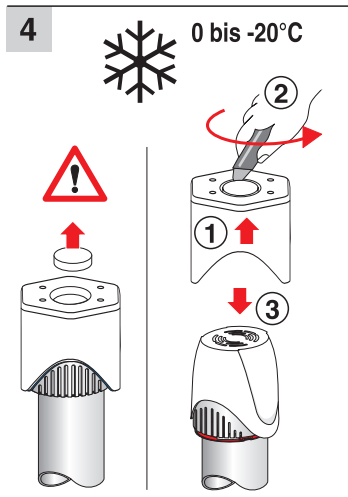


Art. Nr. 03.820.00..0099

DN 30 - 50 DN 70 - 100



ventilair duplex®



- 1** DN 70-100
Art. 11.028.00..0099
Art. 11.028.00..S001 (Version CH)
- 2** DN 30-50
Art. 11.027.00..0099
Art. 11.027.00..S001 (Version CH)

