

Technische Daten/ Technical Data

KLUDI E-GO

electronic controlled single lever sink mixer
DN 15

Ref.:
422106675

Finishes:
66 deep black matt

Product description

Manufacturer KLUDI GmbH & Co. KG

Typ: KLUDI E-GO

electronic controlled single lever sink mixer
Ref.: 422106675

kitchen faucet

electronic controlled single lever sink mixer
with 6V Lithium Battery CR-P2

sensor self-adjusting

activation optoelectrical

maximum water run-time 2 minutes

with activatable cleaning mode

single lever mixer

manual or electronic actuation

1-hole mounted

solid lever, metal

aerator M21,5

protected against back flow

Hybrid cartridge with hotwater limitation

with magnet valve

flow rate at 3 bar

4,5 l/min. electronic

10,5 l/ min. manuell

swivel spout (360°)

flexible hoses G $\frac{3}{8}$ DVGW approved

with integrated back flow preventer

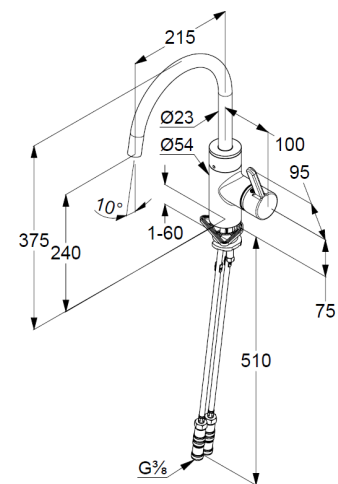
with dirt-catcher sieve

rapid installation set

Produktabbildung/ Product picture



Maßzeichnung/ Dimensional drawing



Durchfluss/ Flow rate

