

Technische Daten/ Technical Data

KLUDI-ASANA
bath inlet
DN 15

Ref.: 6951005-00

Finishes:
05 chrome

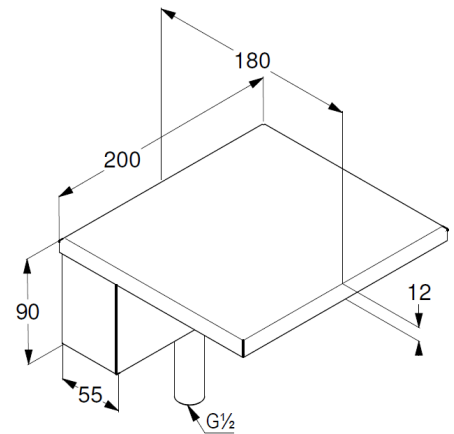
Product description
Manufacturer KLUDI GmbH & Co. KG
Typ: KLUDI-ASANA
bath inlet
Ref.: 6951005-00

bath inlet
1-hole tile edge or bathtub edge installation
waterfall
flow rate at 3 bar > 45 l/min.
fixed spout
projection 180mm
connection G1/2

Produktabbildung/ Product picture



Maßzeichnung/ Dimensional drawing



Durchfluss/ Flow rate

