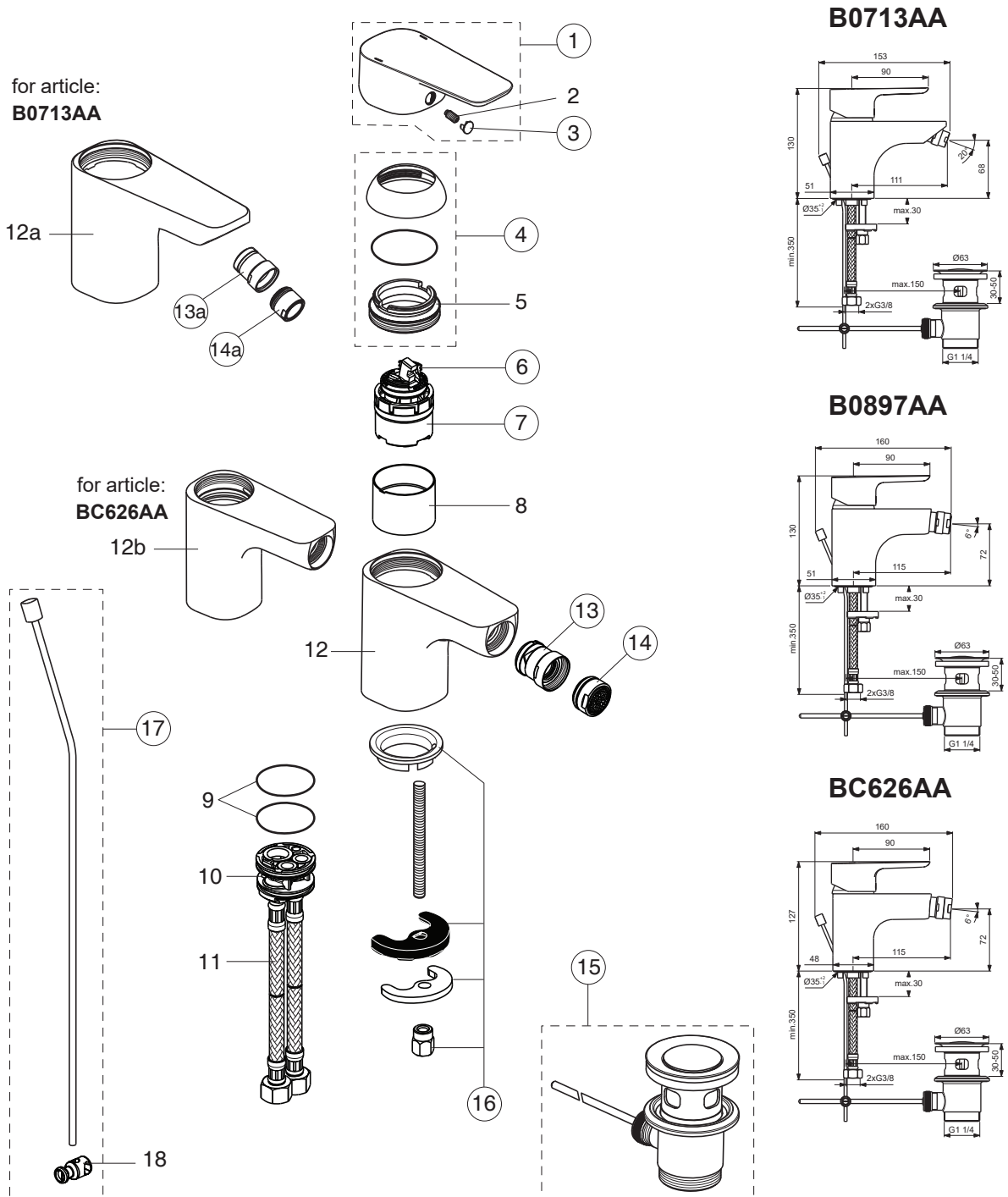


CERAPLAN III



Pos.	Signify	Spare parts-Nr.	Quantity	Pos.	Signify	Spare parts-Nr.	Quantity
1	Lever, w/logo-set	B961117AA	1 Pcs.	13a	Swivel adaptor	A960019AA	1 Pcs.
2	Screw M5x8		1 Pcs.	14	Casc.perlator M24x1-A	A960321AA	1 Pcs.
3	Cap decorative	B960473AA	1 Pcs.	14a	Aerator M18x1	B964902AA	1 Pcs.
4	Rosette-compl.	B961113AA	1 Pcs.	15	Pop-up drain ass.	A962991AA	1 Pcs.
5	Screw M41x1.5/M46x1.5		1 Pcs.	16	Connecting set	B960608NU	1 Set
6	Hot limit stop	A861181NU	1 Pcs.	17	Pull-up rod-compl.	B961119AA	1 Pcs.
7	Cartridge Ø38mm-click	B961491NU	1 Pcs.	18	Pop up waste shackle		1 Pcs.
8	Insert		1 Pcs.				
9	O-Ring Ø35x2		2 Pcs.				
10	Manifold		1 Pcs.				
11	Fl. pexhose G3/8-Ø10.5/L445		2 Pcs.				
12-a-b	Body bidet		1 Pcs.				
13	Ball joint M24x1	A960063AA	1 Pcs.				