

Technische Daten/ Technical Data

KLUDI DECUS
single lever shower mixer
DN 15

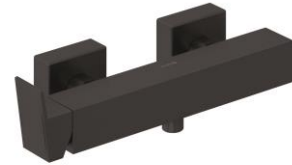
Ref.: 54831N275

Finishes:
N2 Brushed Gunmetal PVD

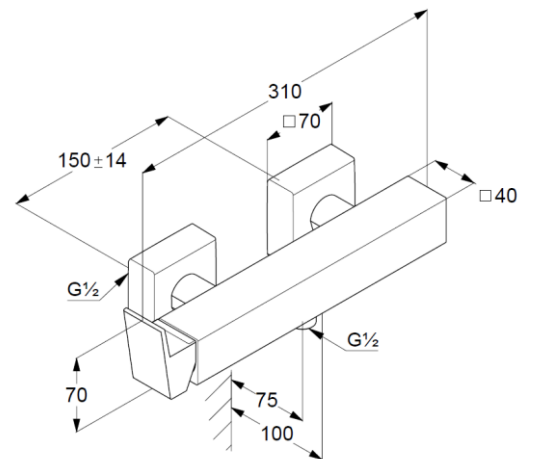
Product description
Manufacturer KLUDI GmbH & Co. KG
Typ: KLUDI DECUS
single lever shower mixer
Ref.: 54831N275

shower mixer
single lever mixer
wall mounted
solid lever, metal
protected against back flow
shower outlet G $\frac{1}{2}$
ceramic cartridge with hot water safety device
flow rate at 3 bar 23 l/min.
S-unions G $\frac{1}{2}$ x G $\frac{3}{4}$

Produktabbildung/ Product picture



Maßzeichnung/ Dimensional drawing



Durchfluss/ Flow rate

