



HANSA**ELECTRA**

Installation and maintenance guide

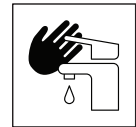




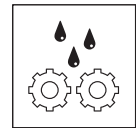
4



5-7



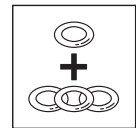
7



8-10



11



12



HANSA Connect App



hansa.com/hansa-app

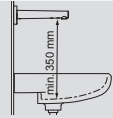
Apple and the Apple logo are trademarks of Apple Inc., registered in the U.S. and other countries. App Store is a service mark of Apple Inc., registered in the U.S. and other countries.

Google Play and the Google Play logo are trademarks of Google Inc.

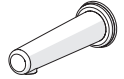
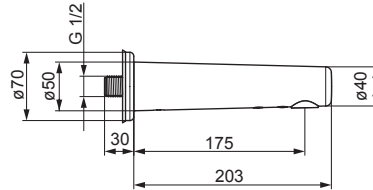
The Bluetooth® word mark and logos are registered trademarks owned by the Bluetooth SIG, Inc. and any use of such marks by Hansa Armaturen GmbH is under license. Other trademarks and trade names are those of their respective owners.



I (ISO 3822) Oras lab.
EN 15091
100 - 1000 kPa
0.1 l/s (300 kPa w/Controller) **CE** (EMC 2014/30/EU)

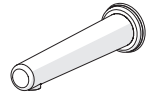
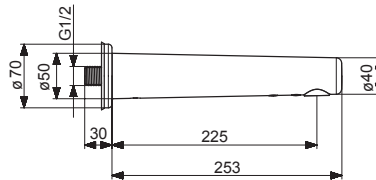


0087 0019
AA 1.5 V Lithium x 2

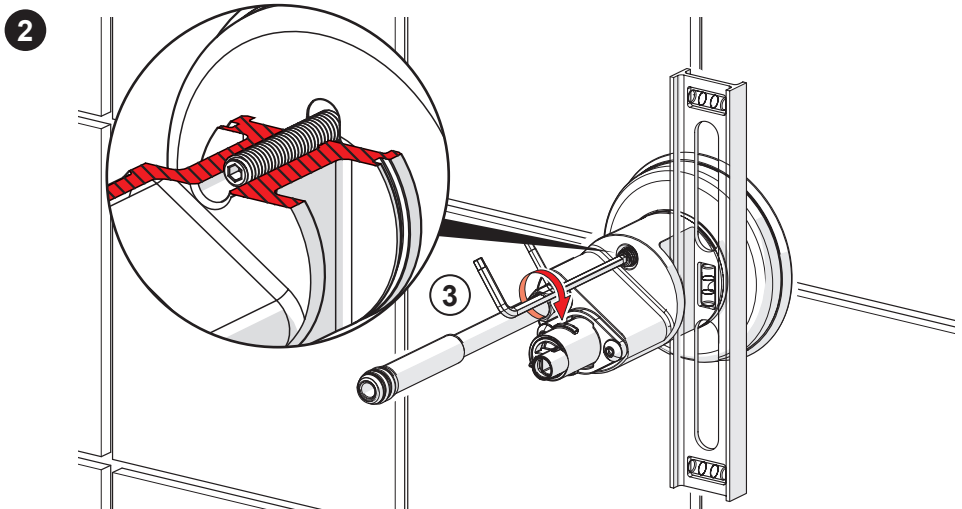
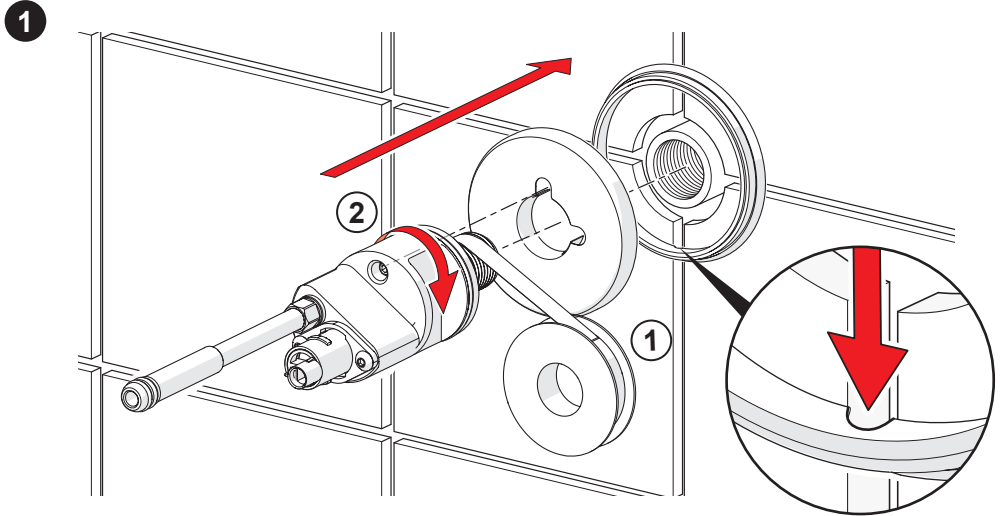
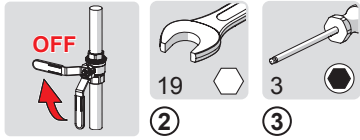


mpi.hansa.com/00870019

0088 0019
AA 1.5 V Lithium x 2



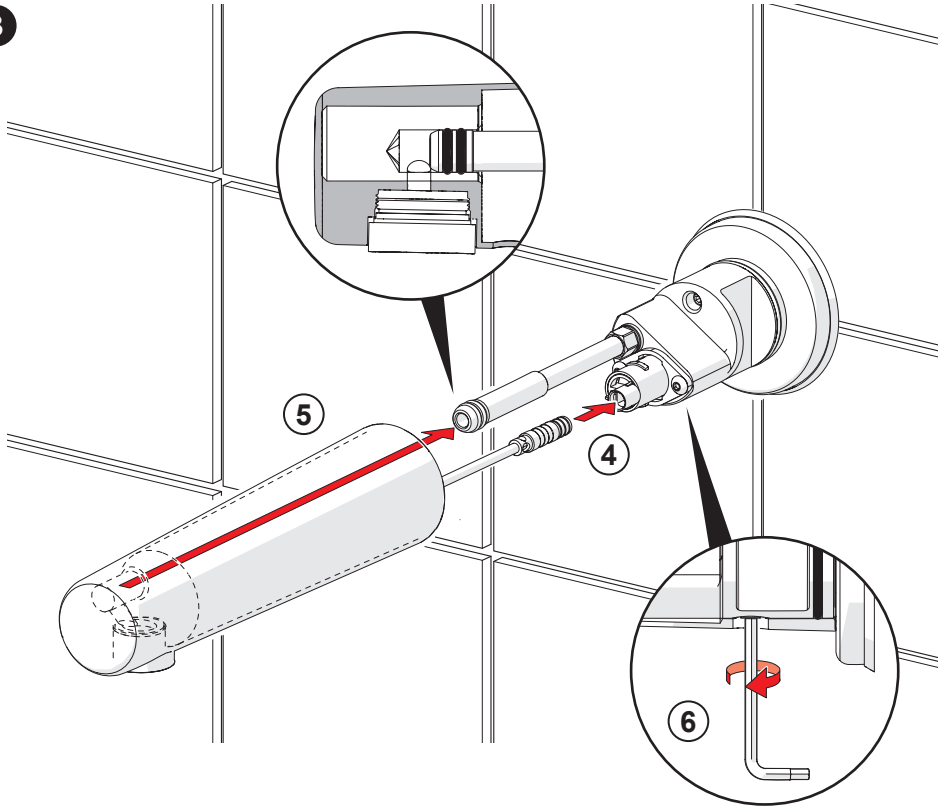
mpi.hansa.com/00880019

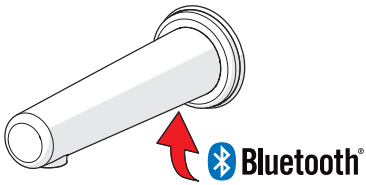
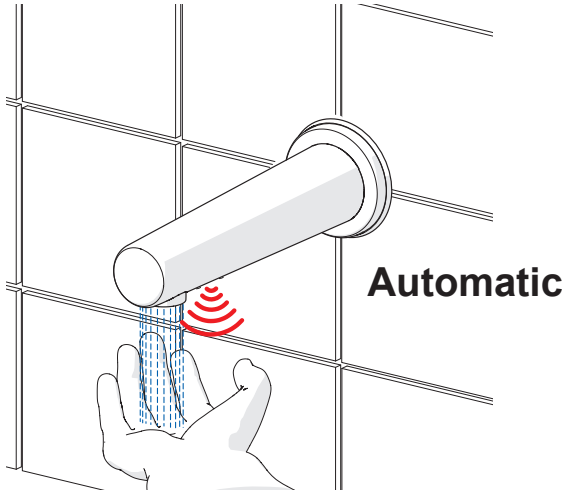




⑥

③

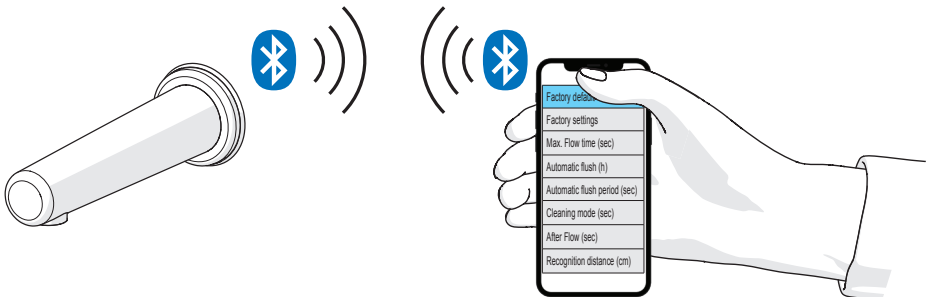


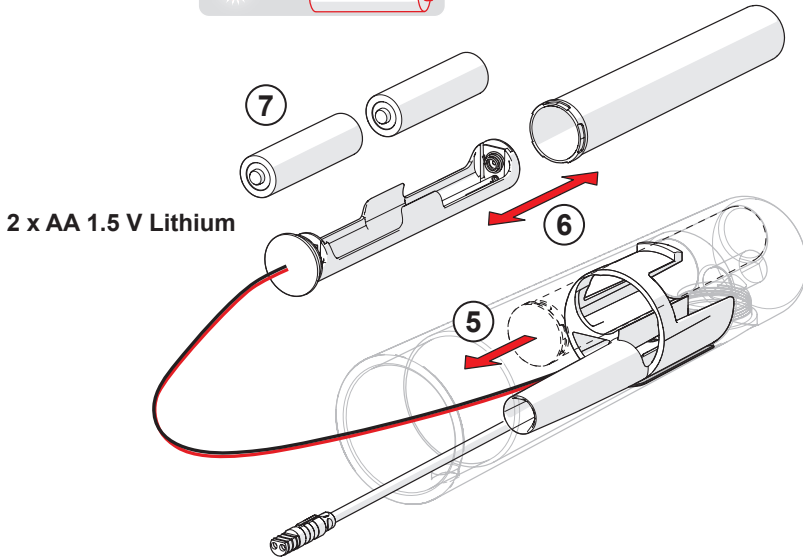
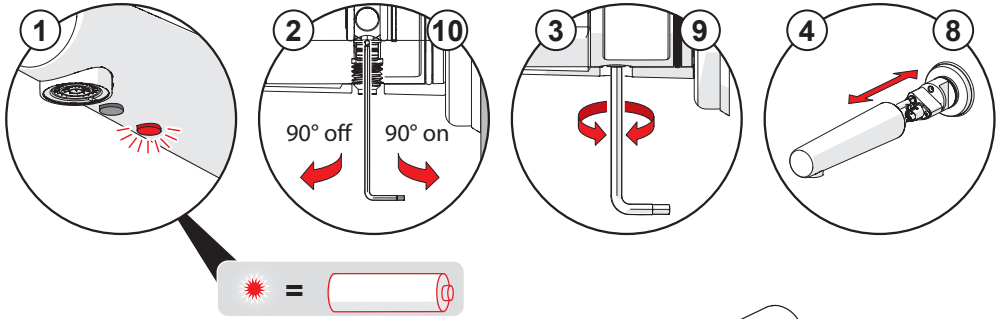
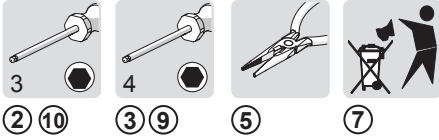


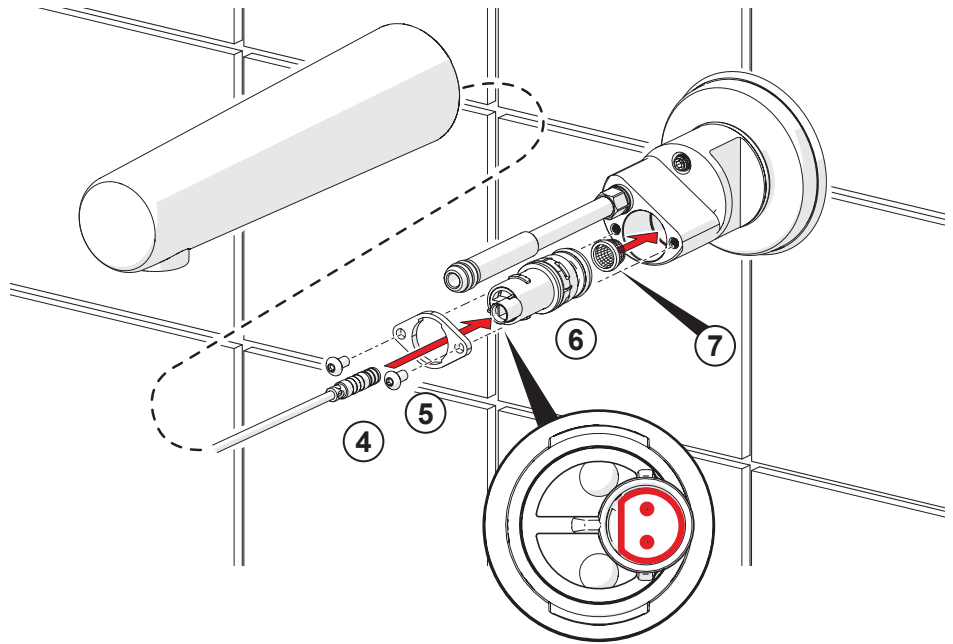
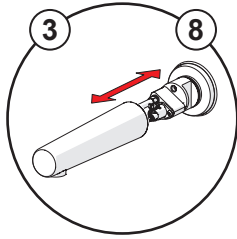
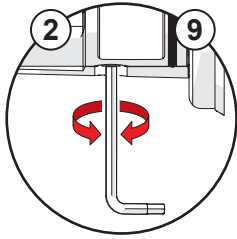
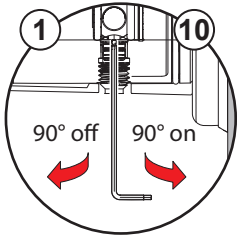
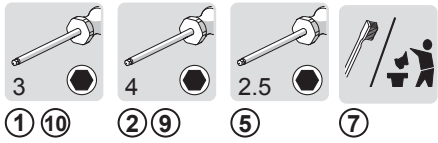
HANSA Connect App

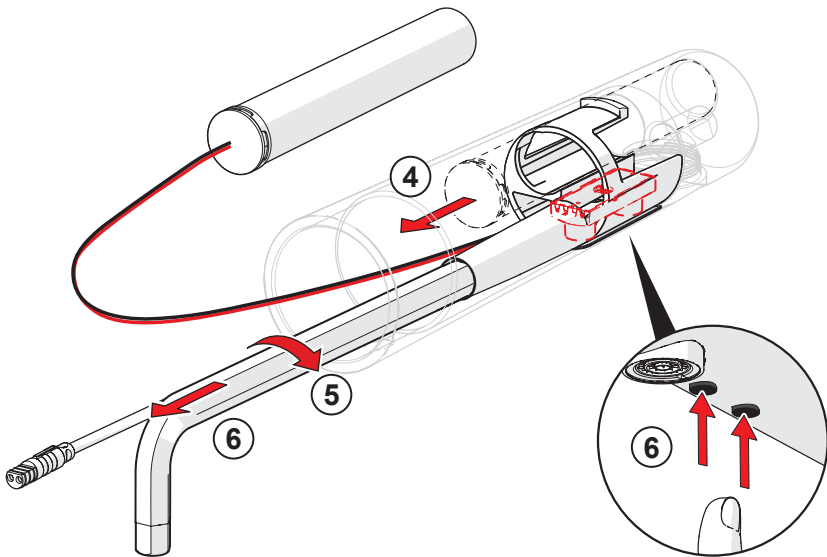
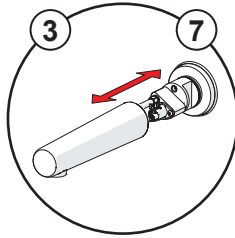
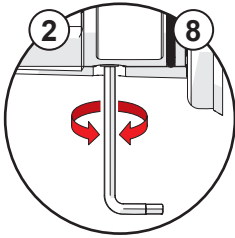
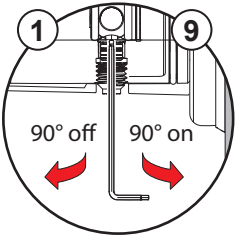
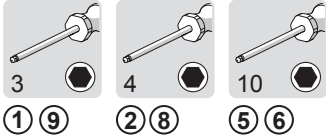


hansa.com/hansa-app



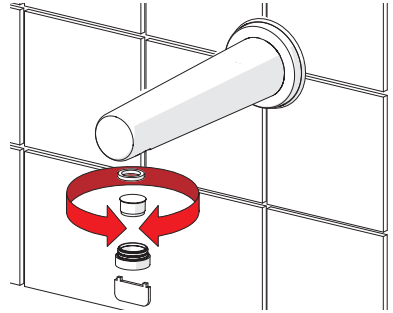
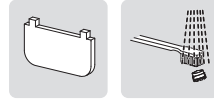
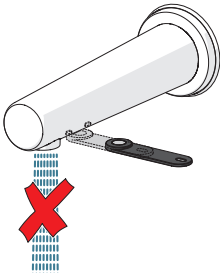




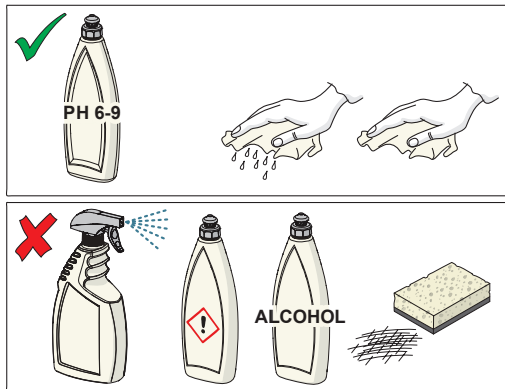




Bluetooth®



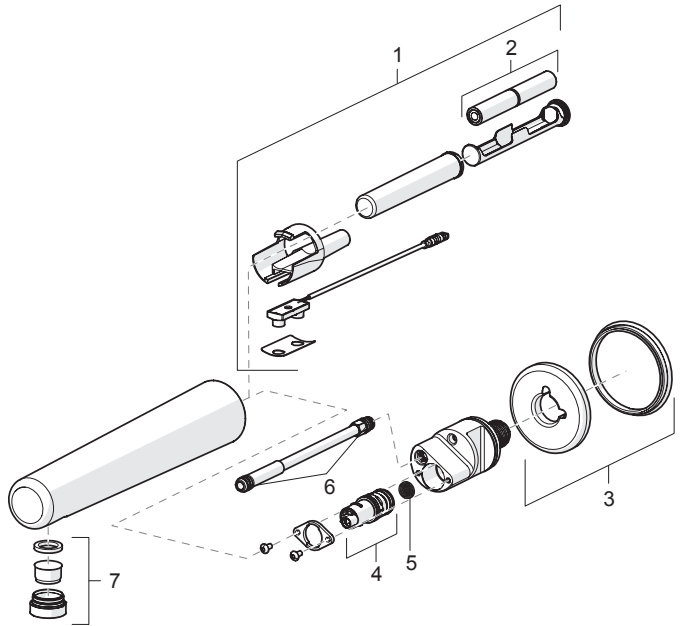
- 1 **ON**
- 2
- 3
- 4
on 30 s (factory settings)
- 5 **automatic off** / **off**





0087 0019, 0088 0019

- 1 10 006 89V
- 2 59 914 136
- 3 59 914 388
- 4 59 914 390
- 5 59 914 389
- 6 59 914 391
- 7 59 914 494



Oras Group is a powerful European provider of sanitary fittings: the market leader in the Nordics and a leading company in Continental Europe. The company's mission is to make the use of water easy and sustainable and its vision is to become the European leader of advanced sanitary fittings. Oras Group has two strong brands: Oras and Hansa.

The Group's head office is located in Rauma, Finland, and the Group has three manufacturing sites: Kralovice (Czech Republic), Olesno (Poland) and Rauma (Finland). Oras Group employs approximately 1,200 people in twenty countries. Oras Group is owned by Oras Invest, a family company and an industrial owner.

HANSA Armaturen GmbH
P. O. BOX 81 02 40
D-70519 Stuttgart
Sigmaringer Strasse 107
D-70567 Stuttgart
Tel.: +49 711 16 14 0
Fax: +49 711 16 14 368
info@hansa.de
www.hansa.com

