

Product: **KLUDI LOGO 3S THERM.DUAL SHOWER SYSTEM**

Ref.: **6809205-00**

Product description

thermostat Dual Shower System DN 15
 wall fastening,
 temperature control handle with hot water safety device 38°C
 with ceramic shut-off valve as rotary valve 90°/90°
 shower outlet G 1/2 (below)
 handshower rotate the handle to the rear
 shower outlet G 3/4 (up)
 headshower rotate the handle forward
 dirt-catcher sieve
 protected against back flow
 with KLUDI headshower G 1/2 x Ø 200 mm
 with KLUDI LOGO 3S handshower G 1/2 (3 spray patterns Volumen, Booster, Smooth)
 Kludi Suparaflex Silver shower-hose 1/2 x 1/2 x 160 mm

Finishes:
 05 chrome

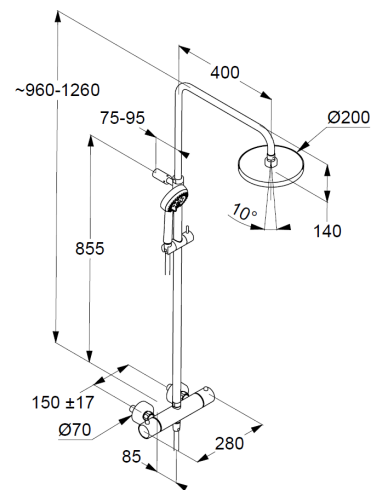
Advertisement

thermostat shower mixer, manufacturer KLUDI GmbH & Co KG
 KLUDI LOGO THM Dual Shower System, item no. 6809205-00,
 DN 15/ Pn 10, chrome plated brass, ceramic shut-off valve as a rotary valve 90°/90°, solid handle, temperature control handle with hot water safety device 38 °C, type: thermostat shower mixer DN 15, shower outlet 1/2 inch, protected against back flow DIN EN 1717, S unions 1/2 x 3/4 inch, dirt-catcher sieve, Kludi LOGO 3S handshower G 1/2 (3 spray patterns Volumen, Booster, Smooth) , DN 15, chrome plated plastic, with cleaning system, hand shower connection 1/2", flow 14 l/ min. at 3 bar l/min, head shower outlet flow rate 15 l/min at 3 bar, with swivel headshower 1/2 Ø 200 mm, with fixing kit, with KLUDI suparaflex Silver hose 1/2 x 1/2 x 1600 mm, with slider horizontally and vertically adjustable,

Product picture



Dimensional drawing



Flow rate diagram

