

Technische Daten/ Technical Data

KLUDI ZENTA SL
bath inlet
DN 15

Ref.: 4860005

Finishes:
05 chrome

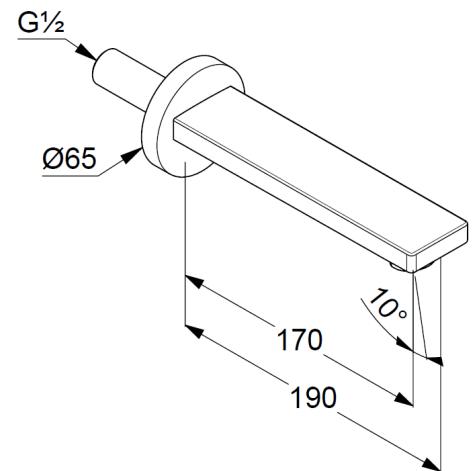
Product description
Manufacturer KLUDI GmbH & Co. KG
Typ: KLUDI ZENTA SL
bath inlet
Ref.: 4860005

bath inlet
wall mounted
aerator M24 PCA
flow rate at 3 bar 28 l/min.
fixed spout
connection G $\frac{1}{2}$
with rosette \varnothing 65mm
2 parts, connector G $\frac{1}{2}$

Produktabbildung/ Product picture



Maßzeichnung/ Dimensional drawing



Durchfluss/ Flow rate

