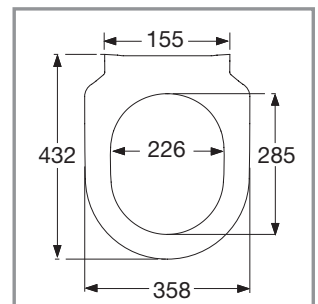


Toilet Seat Subway Slim

Model — 9M65 61 Subway Slim toilet seat with 9224 80 61 hinge

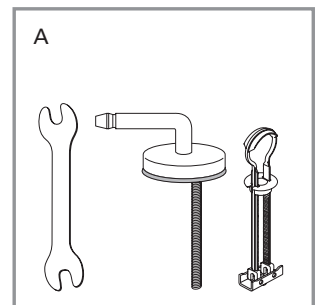
Product Description — Subway Slim toilet seat in Wrap Over design made of colour ingrained duroplast with hinge in stainless steel and plastic
 – incl. universal hinge in stainless steel
 – centre distance: 155 mm
 – load of ring seat: 240 kg
 – 10 year guarantee



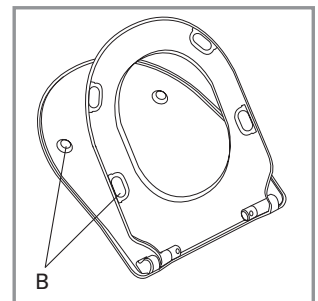
Colour Programme — 01 White (Alpin)

Hinge Finish — 61 Stainless steel

Spare Parts — A) 9224 80 61 Universal hinge
 B) 9224 86 00 Buffers for seat and cover

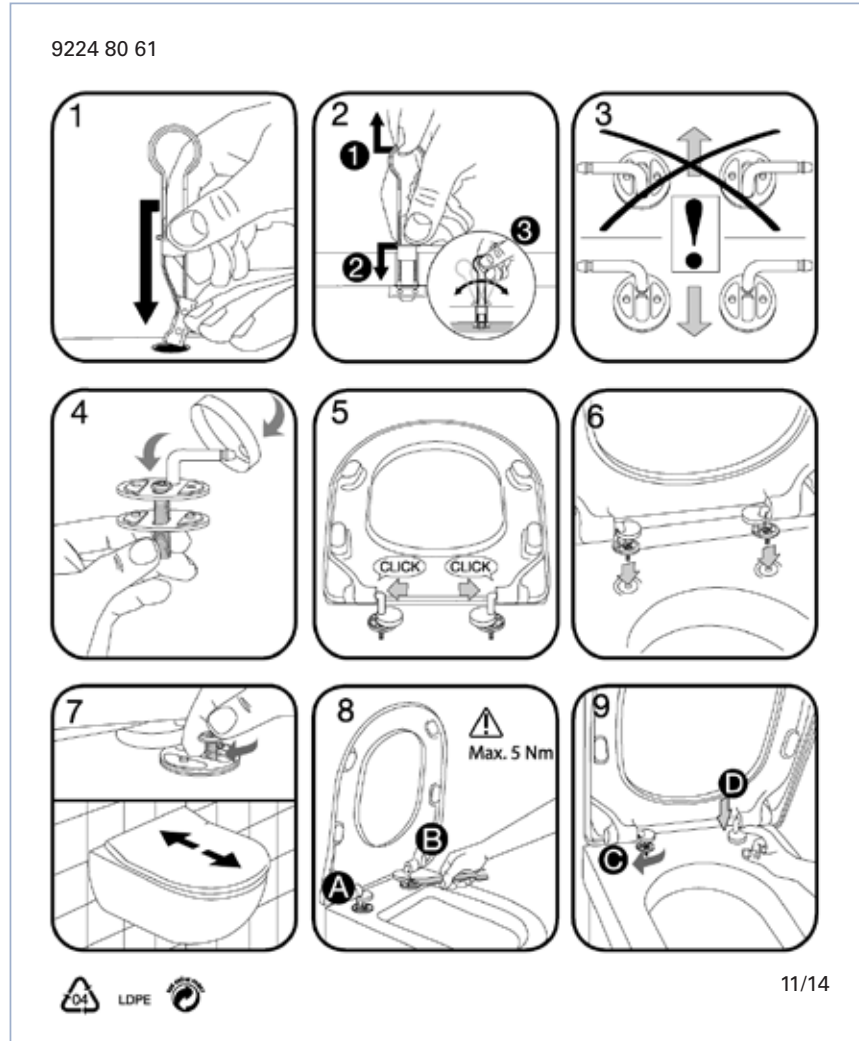


Cleaning Instructions — Use a mild soap solution. Seat and hinge should not be left damp, but be dried with a soft cloth. When using abrasive, corrosive or chlorine based cleaners for the bowl, avoid contact with seat and hinge as it may lead to damages or flash rust. Therefore, when cleaning the bowl, make sure that seat and cover are in an upright position until all the cleaner has been flushed away



Toilet Seat Subway Slim

Instruction manual



Material Description

TOILET SEAT: The material is colour ingrained duroplast (UF A 10 = urea formaldehyde) that contains no environmentally hazardous substances. UF plastic comprises 67% urea formaldehyde resin, 28% cellulose, as well as 5% minerals, pigments, lubricants and moisture content. The raw material from the supplier contains less than 0,03% formaldehyde after a special curing process.

BUFFERS: EVA (copolymer made of ethylene and vinyl acetate).

MOUNT/HINGE: Stainless steel.

Guarantee

The guarantee includes faults or defects in the material of our products within a period of 10 years. Products subject to minor technical modifications and design deviations E. & O.E.