

Product: **KLUDI TASSO 90 pop up waste DN 40/50**

Ref.: **2109100-00**

Product description

pop up waste DN 40/50
for flat shower tubs with Ø 90 mm waste hole
diameter
with removable siphon trap
50 mm water seal height
cleanable
LGA approved in acc. to DIN EN 274

Finishes:
00

Advertisement

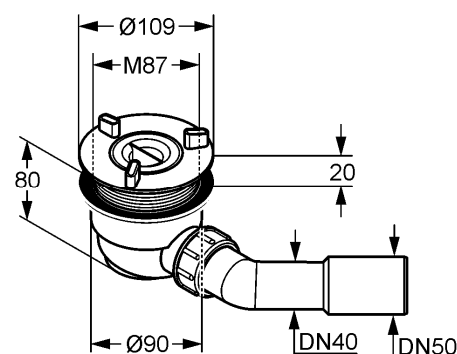
- * KLUDI GmbH & Co KG KLUDI TASSO 90 pop up waste item no. 2109100-00
- ** plastic, without trim set item no. 7137005-00
- *** DIN EN 274, LGA tested

pop up waste, manufacturer KLUDI GmbH & Co KG KLUDI TASSO 90 pop up waste item no. 2109100-00, white plastic, pop up waste, 50 mm water seal height, self-cleaning, approved acc. to DIN EN 274, qualification approval LGA Bayern, without trim set 7137005-00, bent outlet DN 40 / 50, overall height 80 mm, for flat shower tubs with Ø 90 mm waste hole, with removable siphon trap, waste flow rate H 1 = 120 mm = 50,0 l/min according to DIN EN 274, cleanable,

Product picture



Dimensional drawing



Flow rate diagram

flow rate reg.
DIN EN 274
H1 = 120 mm

~ 50,0 l/min

