

Technische Daten/ Technical Data

KLUDI ZENTA SL
single lever basin mixer 100
DN 15

Ref.: 482900565WR5

Finishes:
05 chrome

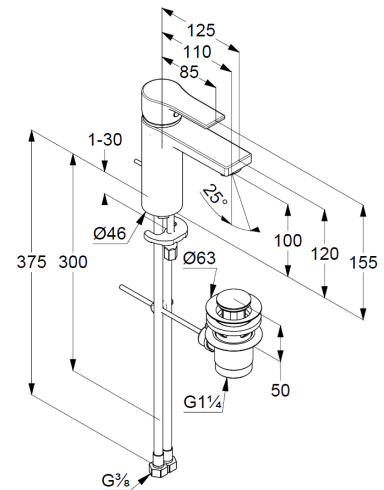
Product description
Manufacturer KLUDI GmbH & Co. KG
Typ: KLUDI ZENTA SL
single lever basin mixer 100
Ref.: 482900565WR5

basin mixer
single lever mixer
1-hole mounted
solid handle, metal
aerator M24 PCA
ceramic cartridge with hot water safety device
flow rate at 3 bar 3,8 l/min.
flexible hoses G3/8 DVGW approved
rapid installation set
pop up waste G1 1/4 metal
EU taxonomy: max. 6 l/min. -
Substantial Contribution (SC) possible

Produktabbildung/ Product picture



Maßzeichnung/ Dimensional drawing



Durchfluss/ Flow rate

