



# HANSA

Installation and maintenance guide





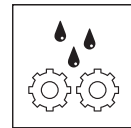
4-7



8-10



11



12-15



16



I (ISO 3822)  
100 - 1000 kPa  
max. +70°C



We declare that the Electra line conforms to the Radio Equipment Directive 2014/53/EU, the Low Voltage Directive 2014/35/EU, the EMC Directive 2014/30/EU and the RoHS Directive 2011/65/EU.

For more information:  
<https://static.hansa.com>



Frequency: 2,4 GHz  
Max power: 10 mW  
Radio range: 25 m



HANSA Connect App



[hansa.com/hansa-app](https://hansa.com/hansa-app)

Apple and the Apple logo are trademarks of Apple Inc., registered in the U.S. and other countries. App Store is a service mark of Apple Inc., registered in the U.S. and other countries.

Google Play and the Google Play logo are trademarks of Google Inc.

The Bluetooth® word mark and logos are registered trademarks owned by the Bluetooth SIG, Inc. and any use of such marks by Oras Group is under license. Other trademarks and trade names are those of their respective owners.

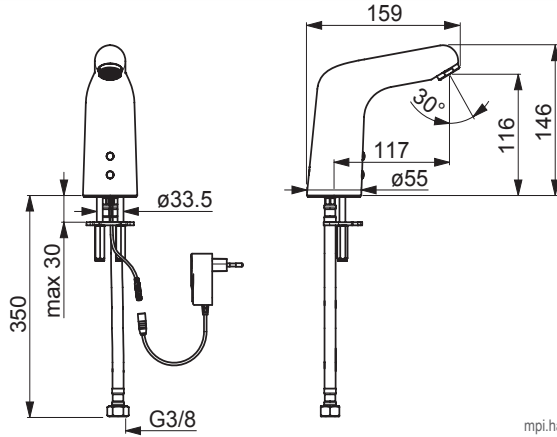


IP 55 / transformer IP 20  
230 / 9 V



### 0567 2029

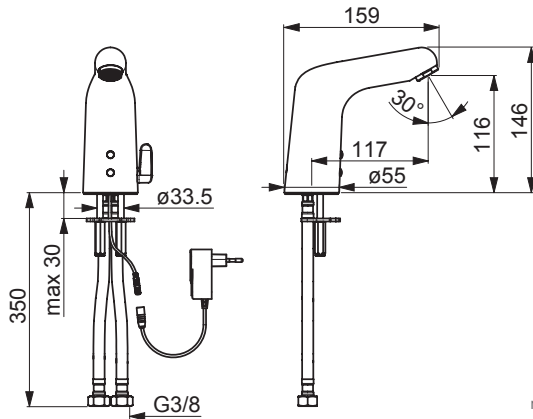
I (ISO 3822)  
0.10 l/s (300 kPa w/Controller)



[mpi.hansa.com/05672029](http://mpi.hansa.com/05672029)

### 0567 2129

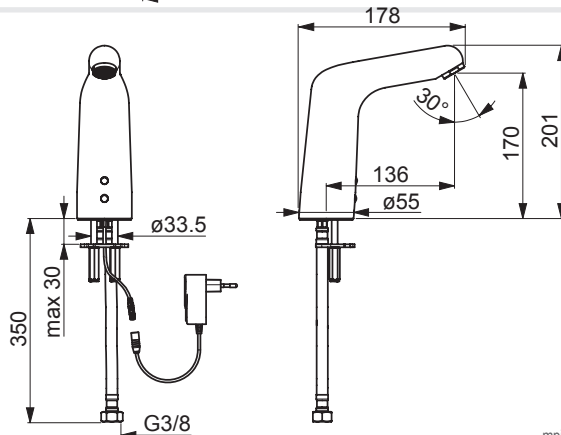
I (ISO 3822)  
0.10 l/s (300 kPa w/Controller)



[mpi.hansa.com/05672129](http://mpi.hansa.com/05672129)

### 0568 2029

I (ISO 3822)  
0.10 l/s (300 kPa w/Controller)

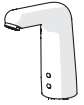
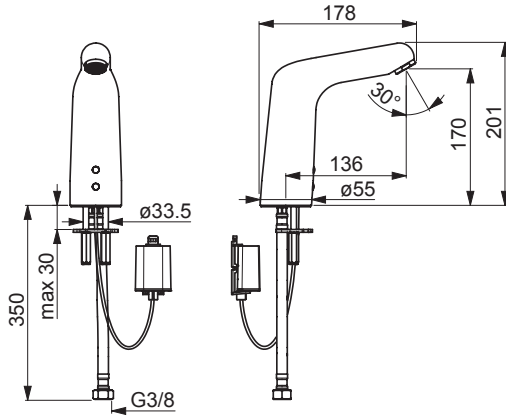


[mpi.hansa.com/05682029](http://mpi.hansa.com/05682029)



**0568 2019**

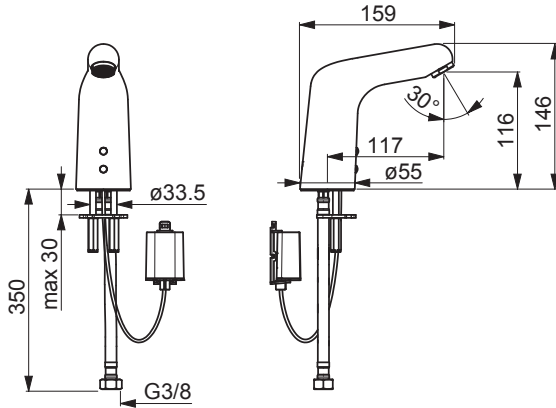
I (ISO 3822)  
0.10 l/s (300 kPa w/Controller)



[mpi.hansa.com/05682019](http://mpi.hansa.com/05682019)

**0567 2019**

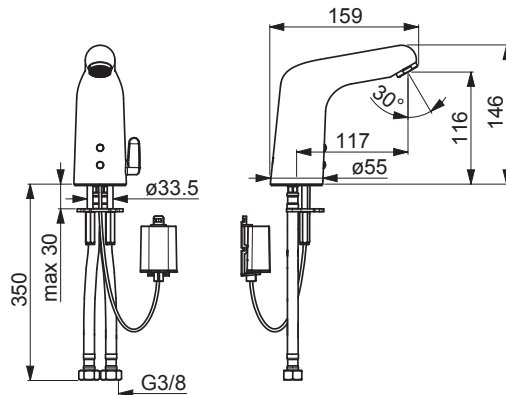
I (ISO 3822)  
0.10 l/s (300 kPa w/Controller)



[mpi.hansa.com/05672019](http://mpi.hansa.com/05672019)

**0567 2119**

I (ISO 3822)  
0.10 l/s (300 kPa w/Controller)



[mpi.hansa.com/05672119](http://mpi.hansa.com/05672119)

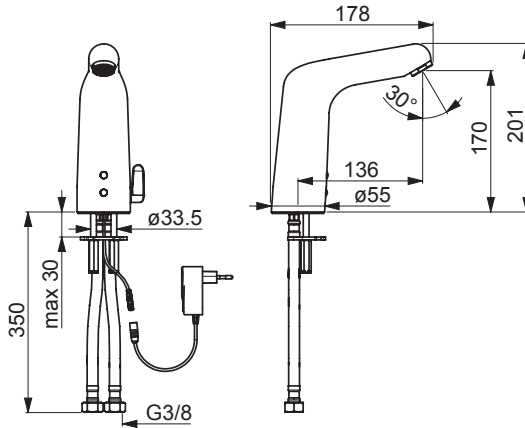


IP 55 / transformer IP 20 (05682129)  
230 / 9 V (05682129)  
Lithium 2CR5 6 V (05682119)



## 0568 2129

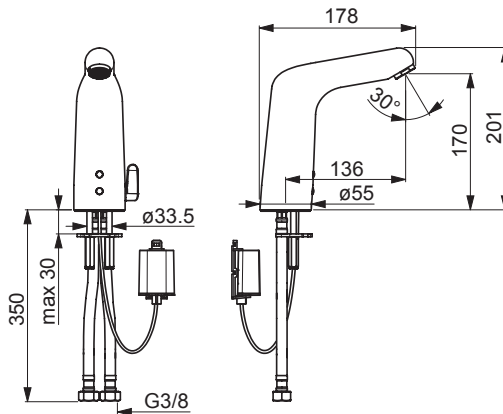
I (ISO 3822)  
0.10 l/s (300 kPa w/Controller)



[mpi.hansa.com/05682129](http://mpi.hansa.com/05682129)

## 0568 2119

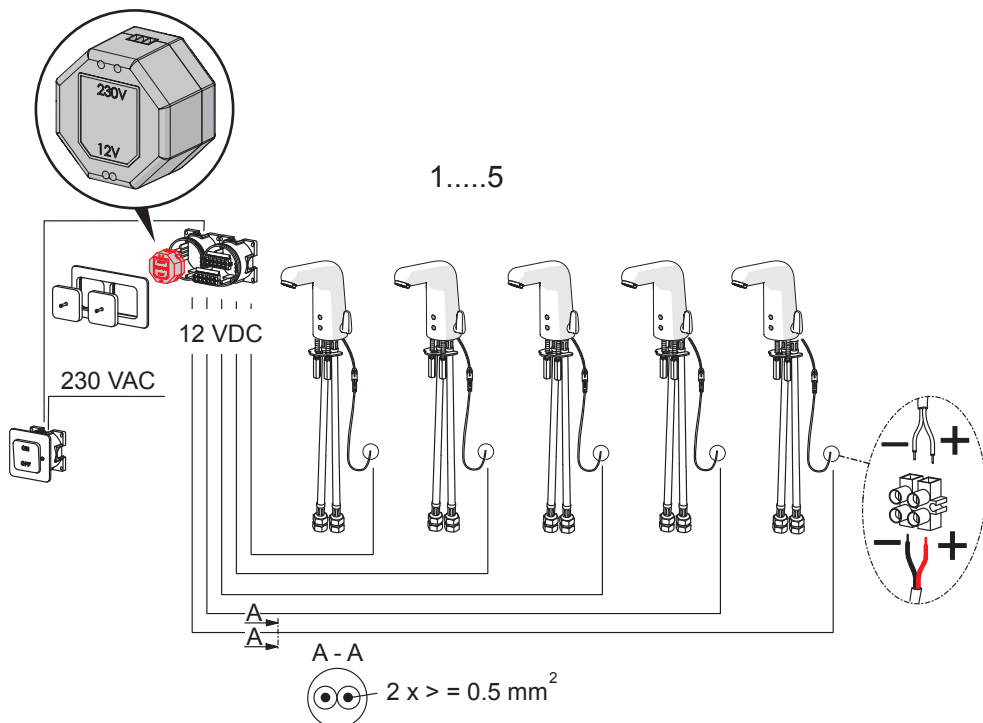
I (ISO 3822)  
0.10 l/s (300 kPa w/Controller)

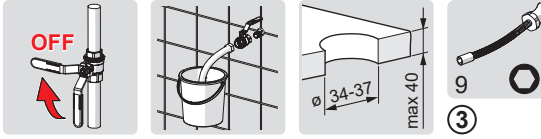


[mpi.hansa.com/05682119](http://mpi.hansa.com/05682119)

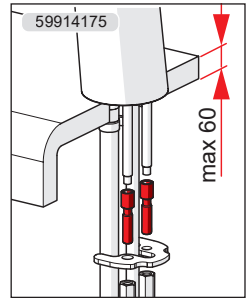
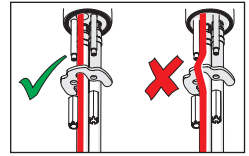
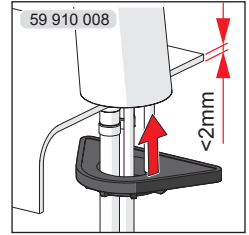
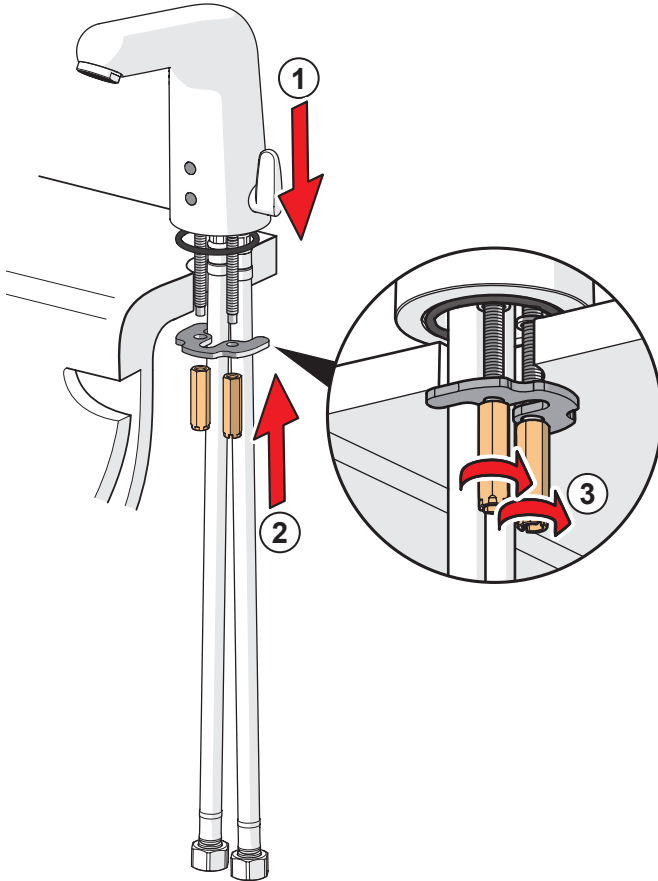
- GB** Power supply requirement: Power supply output must be short circuit protected.
- CZ** Požadavky týkající se napájecího zdroje: Výstup napájecího zdroje musí být chráněn proti zkratu.
- DE** Stromversorgungsvoraussetzungen: Stromversorgungsspannung muss kurzschlussgeschützt sein.
- DK** Krav til strømforsyning: Strømforsyningsudgang skal være kortslutningsbeskyttet.
- ES** Requisitos del suministro eléctrico: el suministro eléctrico debe estar protegido contra cortocircuitos.
- FI** Vaatimukset virtälähteelle: Virtälähteen ulostulon tulee olla oikosulkusuojattu.
- FR** Unité d'alimentation électrique: La sortie de l'unité d'alimentation oit être protégée contre le court-circuit.
- IT** Requisiti dell'alimentazione: L'uscita deve essere protetta da cortocircuiti.
- NL** Vereisten voor de voeding: De uitgang van de voeding moet beschermd zijn tegen kortsluitingen.
- NO** Krav til strømforsyning: Strømforsyningsspenning må være kortslutningssikret.
- PL** Wymagania w stosunku do zasilacza: Zasilacz musi być wyposażony w zabezpieczenie przeciwzwarciowe.
- RU** Требования к источнику тока: Выход источника тока защищен от короткого замыкания.
- SE** Krav på matningsdon: Utspänningen skall vara kortslutningssäker.
- SK** Požiadavka na napájanie: Výstup napájania musí byť chránený voči zkratu.

6499 0100





**1**







19

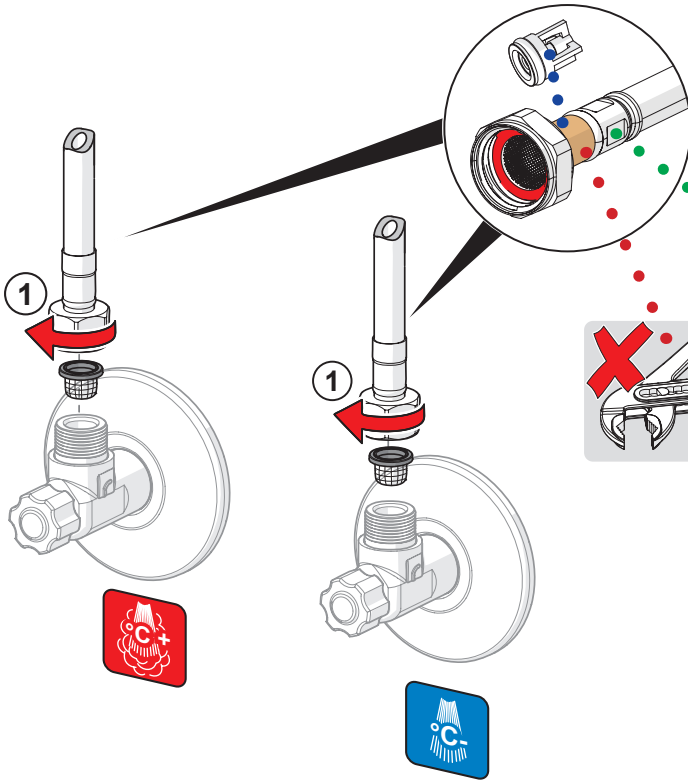
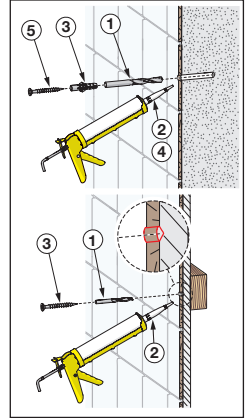


max.  
1600 kPa



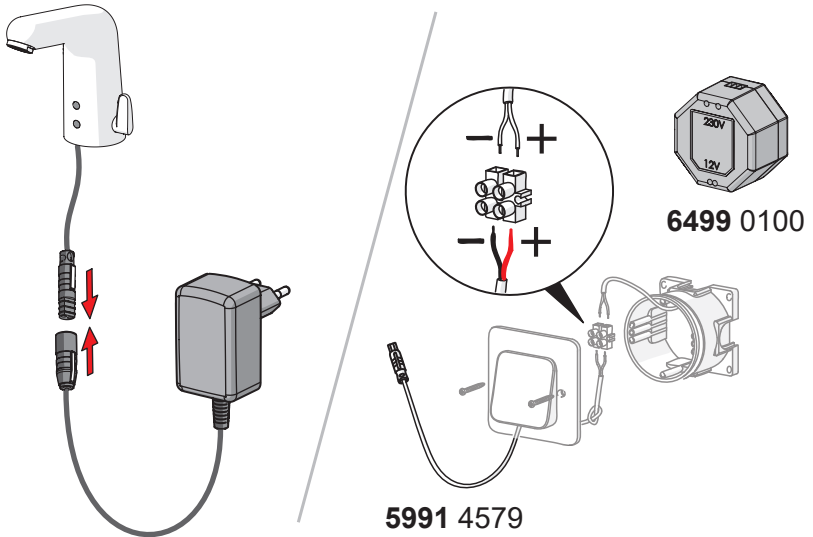
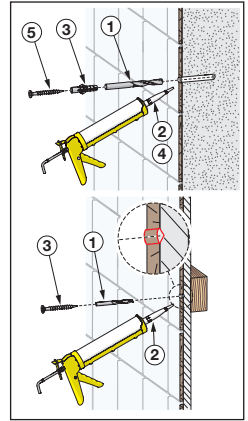
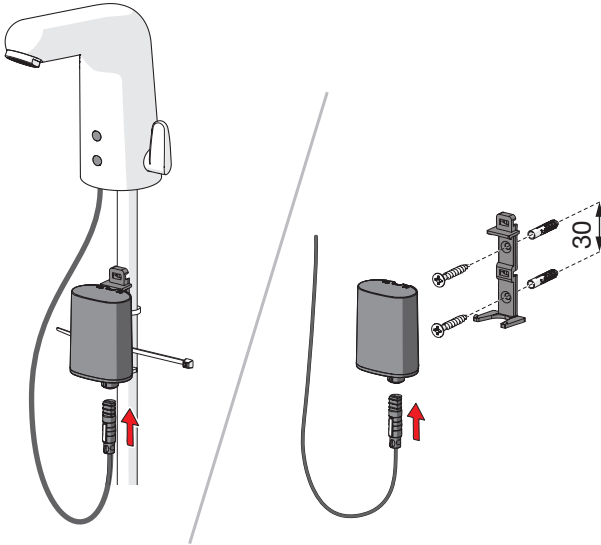
① ②

②





**3**



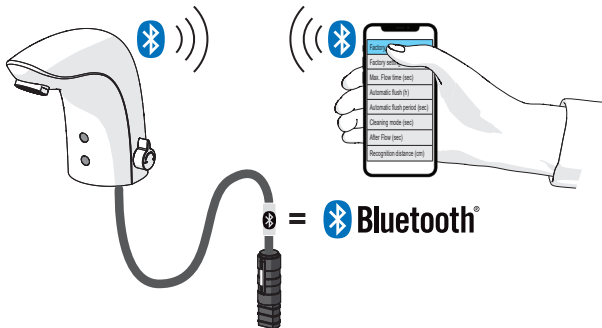
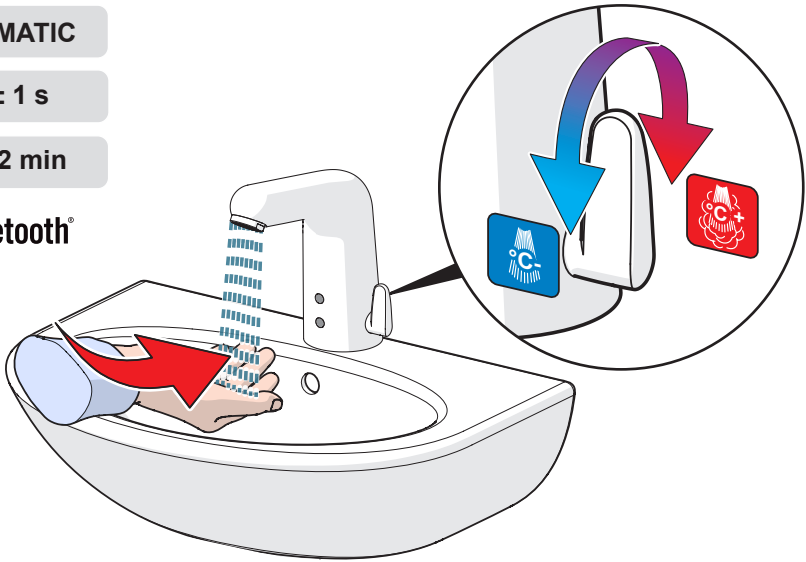


**AUTOMATIC**

**2 s ± 1 s**

**max. 2 min**

**Bluetooth®**



HANSA Connect App

Download on the  
**App Store**

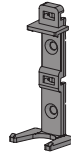
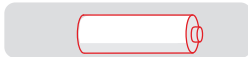
GET IT ON  
**Google Play**

[hansa.com/hansa-app](https://hansa.com/hansa-app)

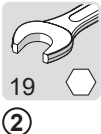
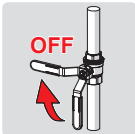
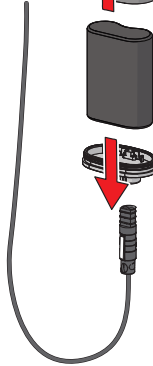




①

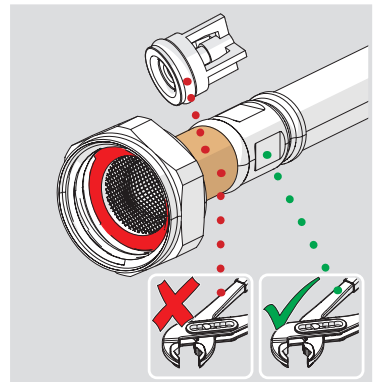
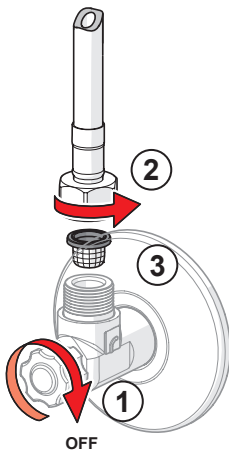


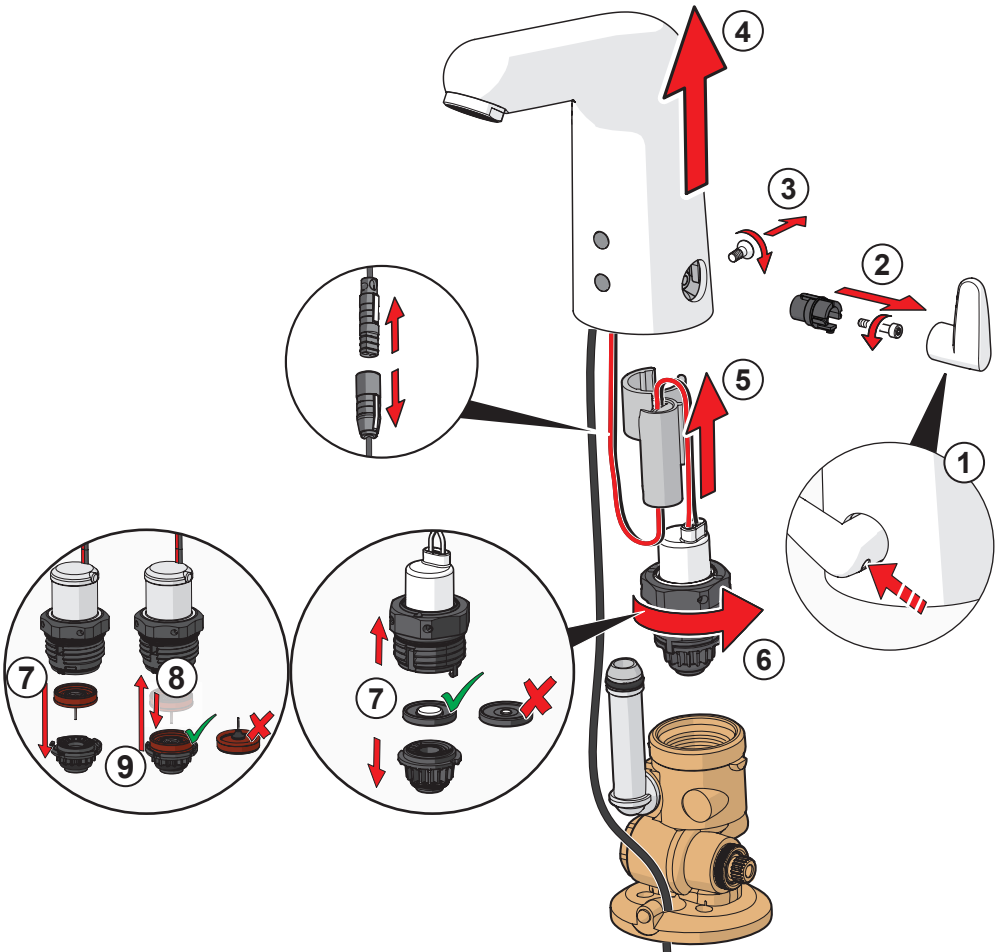
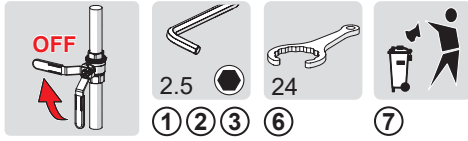
① Lithium 2CR5 6V

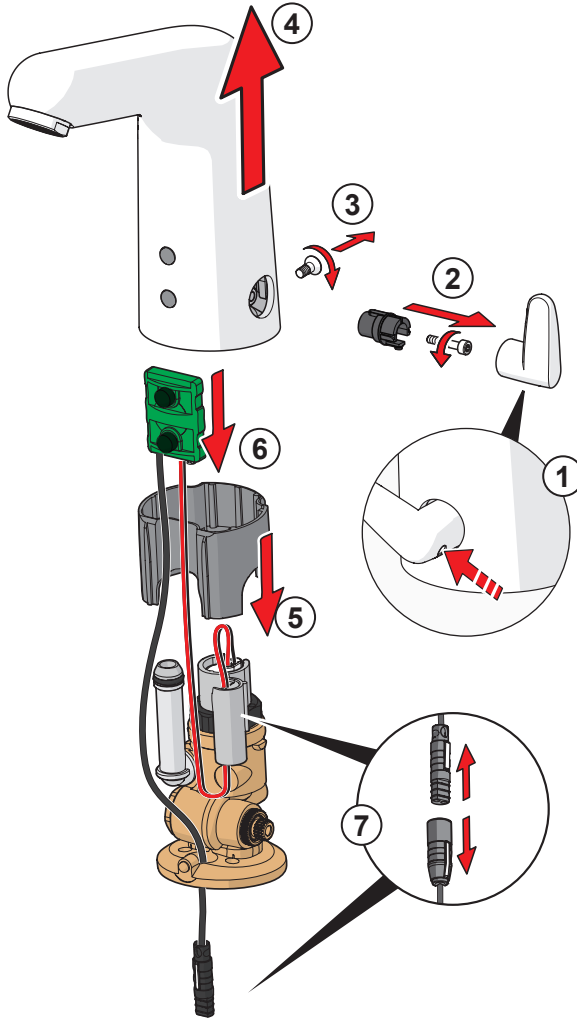
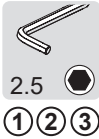
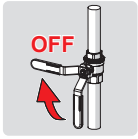


②

③



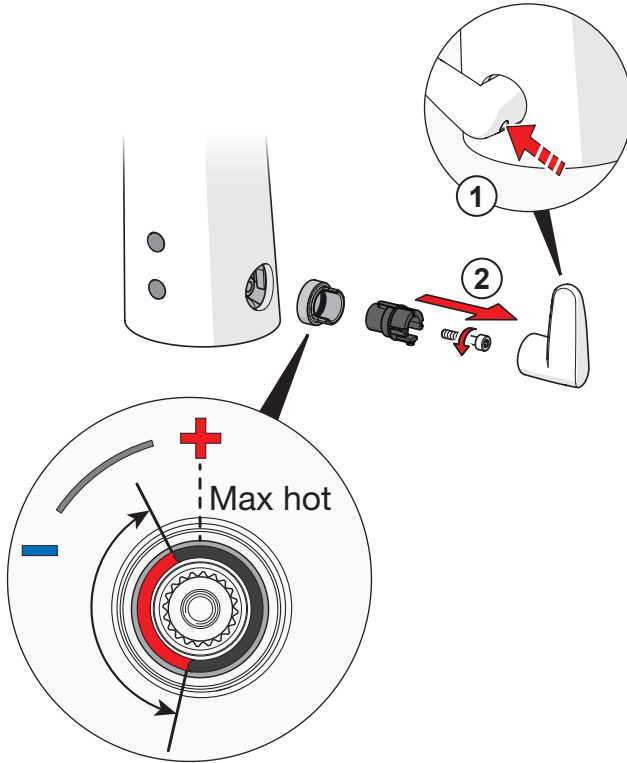


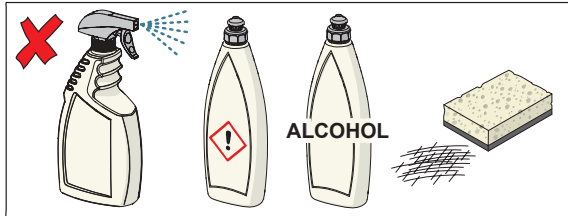
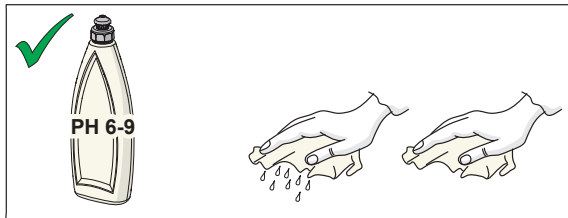
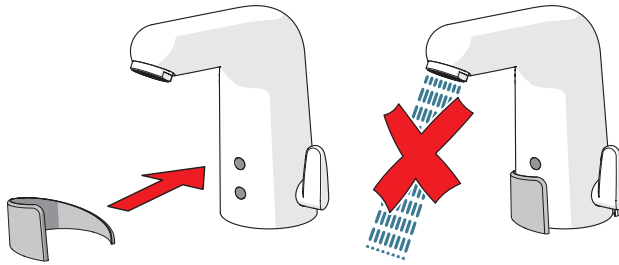
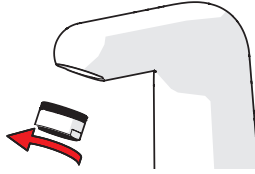
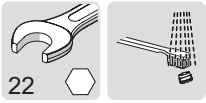




2.5

① ②





[cleaning.hansa.com](http://cleaning.hansa.com)









#### About Oras Group

Oras Group is a significant European provider of sanitary fittings: the market leader in the Nordics and a leading company in Continental Europe.

The company's mission is to create the smartest water experiences for everyone and its vision is to become the Perfect Flow Company.

The Group has two strong brands, Oras and Hansa. Oras Group is owned by Oras Invest, a family company, and an industrial owner.

The domicile of Oras Ltd, the parent company of the Group, is located in Rauma, Finland, and the Group has three manufacturing sites: Kralovice (Czech Republic), Olesno (Poland) and Rauma (Finland).

The Group operates with its own staff in 17 markets. Oras Group's net sales were 233.5 million euros in 2021 and at the end of the period the company employed 1255 people.

HANSA Armaturen GmbH  
P. O. BOX 81 02 40  
D-70519 Stuttgart  
Sigmaringer Strasse 107  
D-70567 Stuttgart  
Tel.: +49 711 16 14 0  
Fax: +49 711 16 14 368  
info@hansa.de  
www.hansa.com

