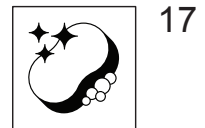
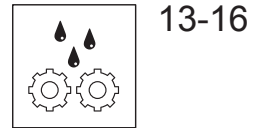
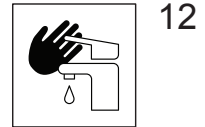




# HANSASTE**LA**

Installation and maintenance guide

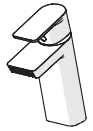
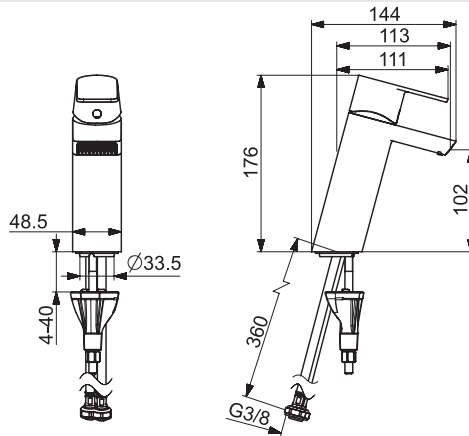






### 5708 2273

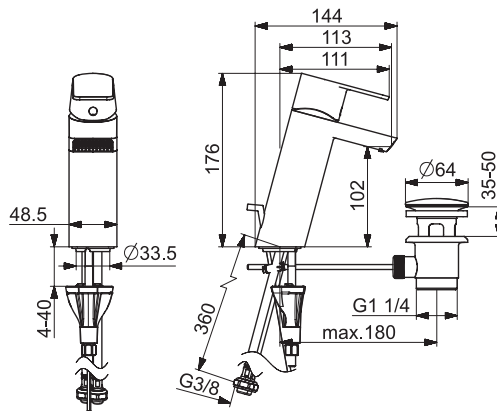
I (ISO 3822)  
EN 817  
50 - 1000 kPa  
0.092 l/s (300 kPa)  
max. +80°C



[mpi.hansa.com/57082283](http://mpi.hansa.com/57082283)

### 5709 2273

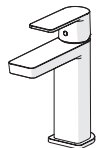
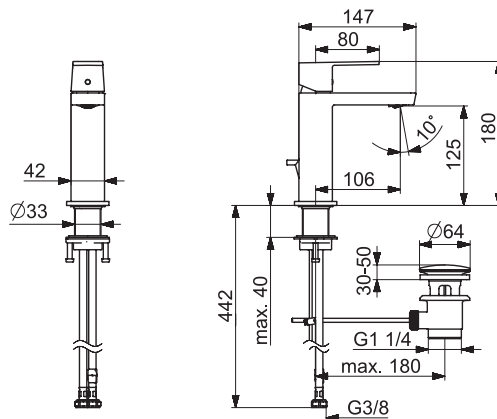
I (ISO 3822)  
EN 817  
50 - 1000 kPa  
0.092 l/s (300 kPa)  
max. +80°C



[mpi.hansa.com/57092273](http://mpi.hansa.com/57092273)

### 5718 2273

I (ISO 3822)  
EN 817  
50 - 1000 kPa  
0.092 l/s (300 kPa)  
max. +80°C

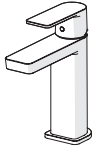
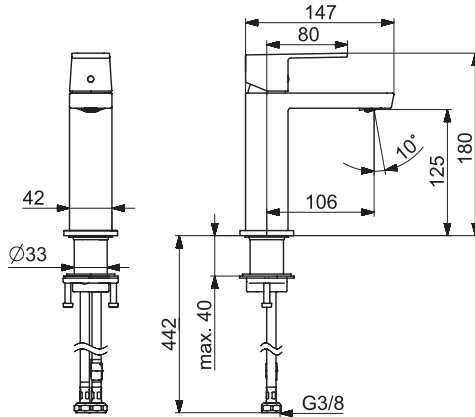


[mpi.hansa.com/57182273](http://mpi.hansa.com/57182273)



**5719 2273**

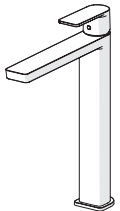
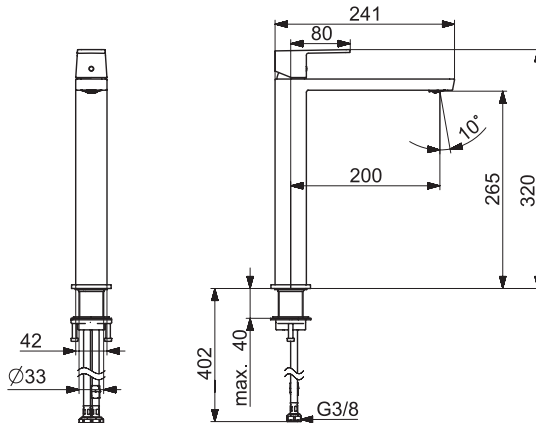
I (ISO 3822)  
 EN 817  
 50 - 1000 kPa  
 0.092 l/s (300 kPa)  
 max. +80°C



[mpi.hansa.com/57192273](http://mpi.hansa.com/57192273)

**5710 2273**

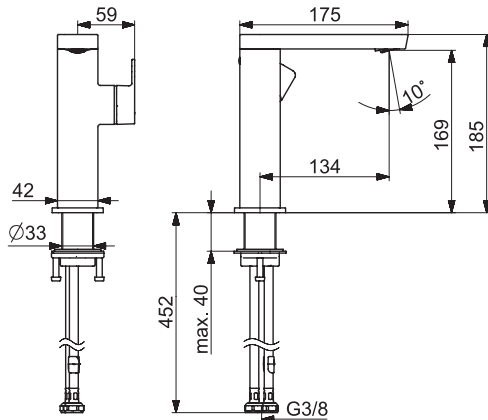
I (ISO 3822)  
 EN 817  
 50 - 1000 kPa  
 0.092 l/s (300 kPa)  
 max. +80°C



[mpi.hansa.com/57102273](http://mpi.hansa.com/57102273)

**5714 2273**

I (ISO 3822)  
 EN 817  
 50 - 1000 kPa  
 0.082 l/s (300 kPa)  
 max. +80°C

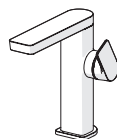
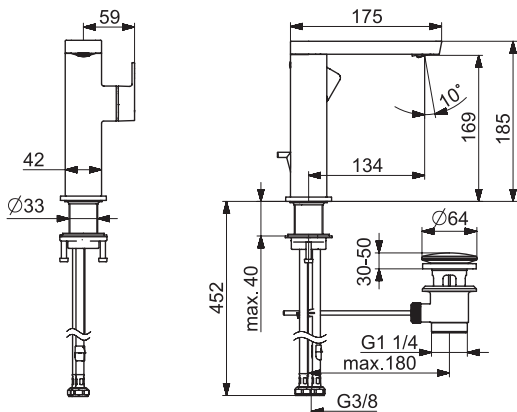


[mpi.hansa.com/57142273](http://mpi.hansa.com/57142273)



### 5715 2273

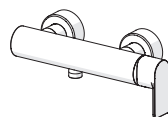
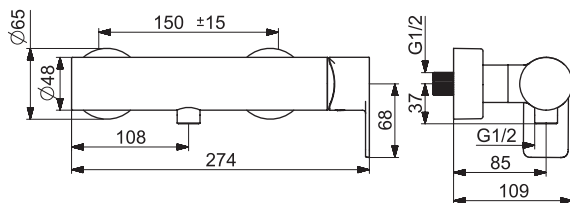
I (ISO 3822)  
EN 817  
50 - 1000 kPa  
0.08 l/s (300 kPa)  
max. +80°C



[mpi.hansa.com/57152273](http://mpi.hansa.com/57152273)

### 5767 0173

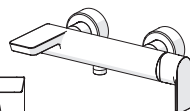
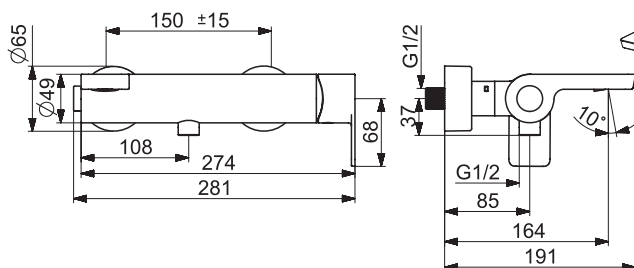
EN 817  
50 - 1000 kPa  
max. +80°C



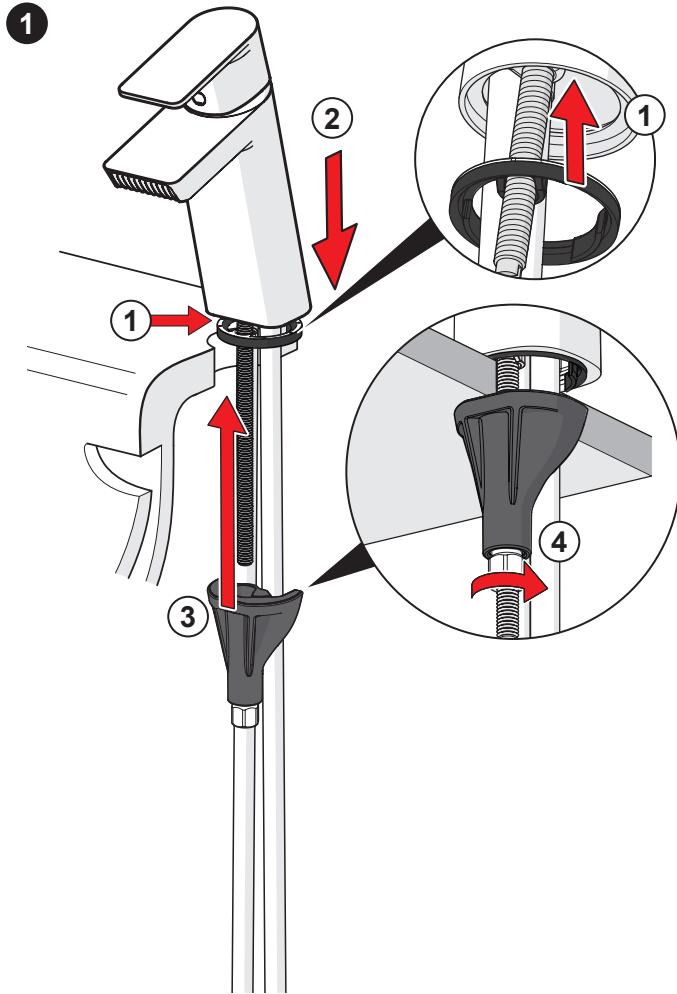
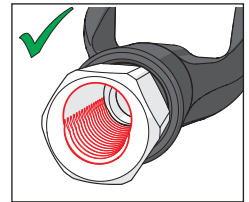
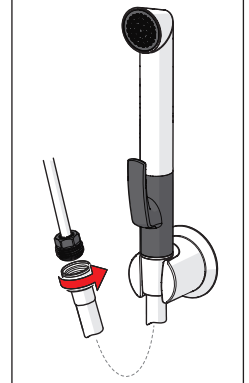
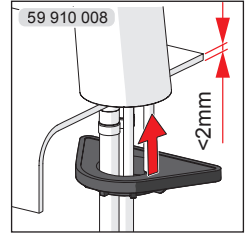
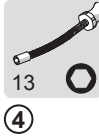
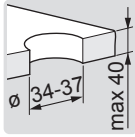
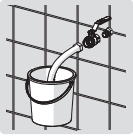
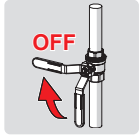
[mpi.hansa.com/57670173](http://mpi.hansa.com/57670173)

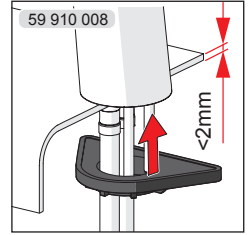
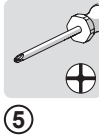
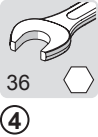
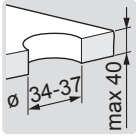
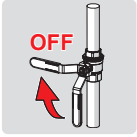
### 5774 2173

I (ISO 3822)  
EN 817  
50 - 1000 kPa  
0.212 l/s (300 kPa)  
max. +80°C

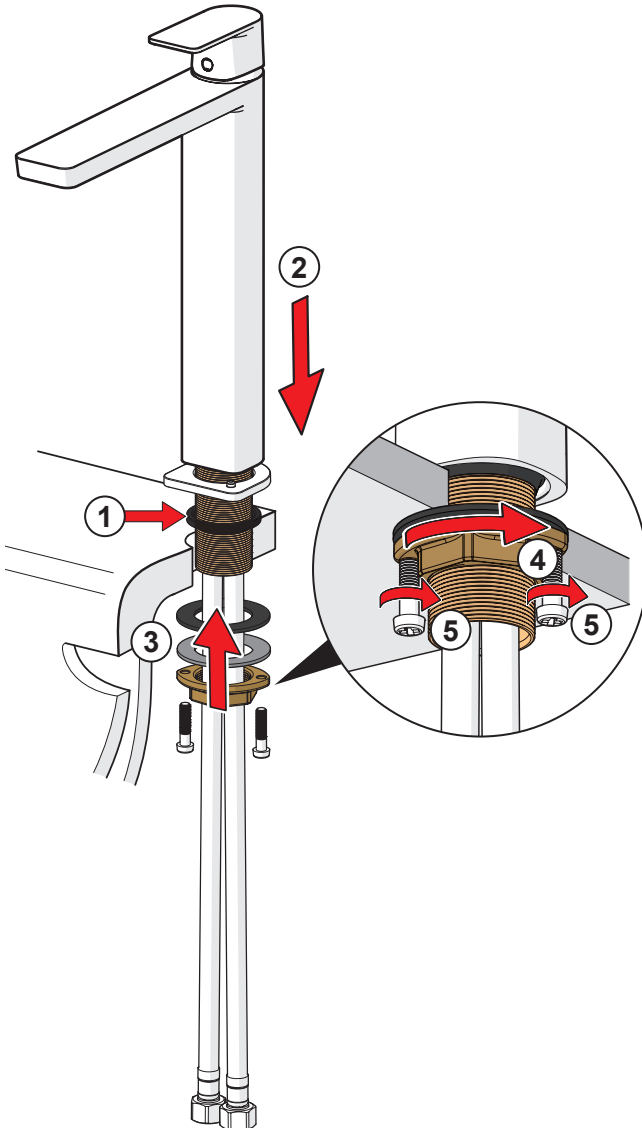


[mpi.hansa.com/57742173](http://mpi.hansa.com/57742173)





**1**



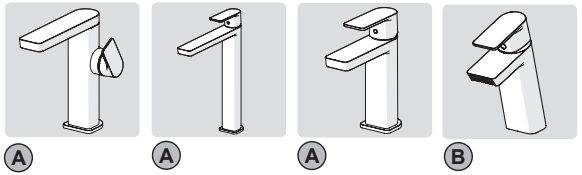




19

**TEST**


**max. 1600 kPa**




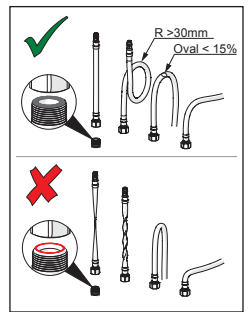
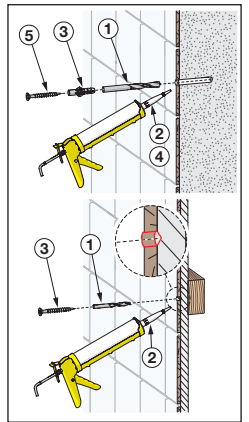
**2 A**

1

1









**2 B**

1

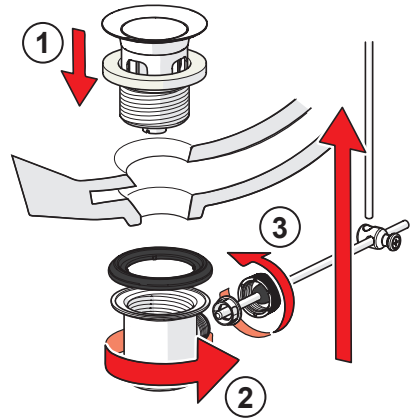
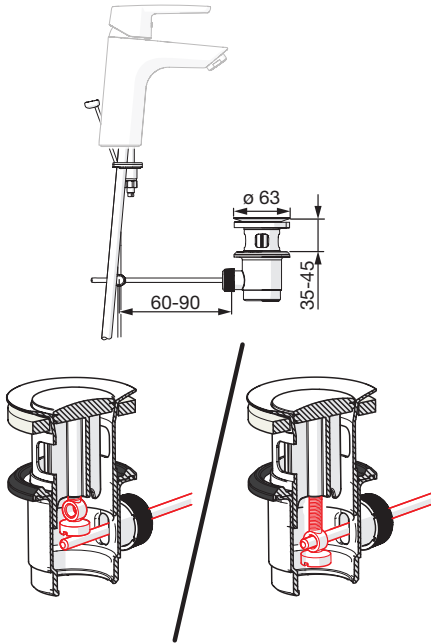
1

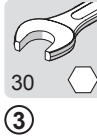
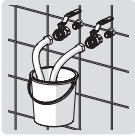
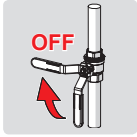




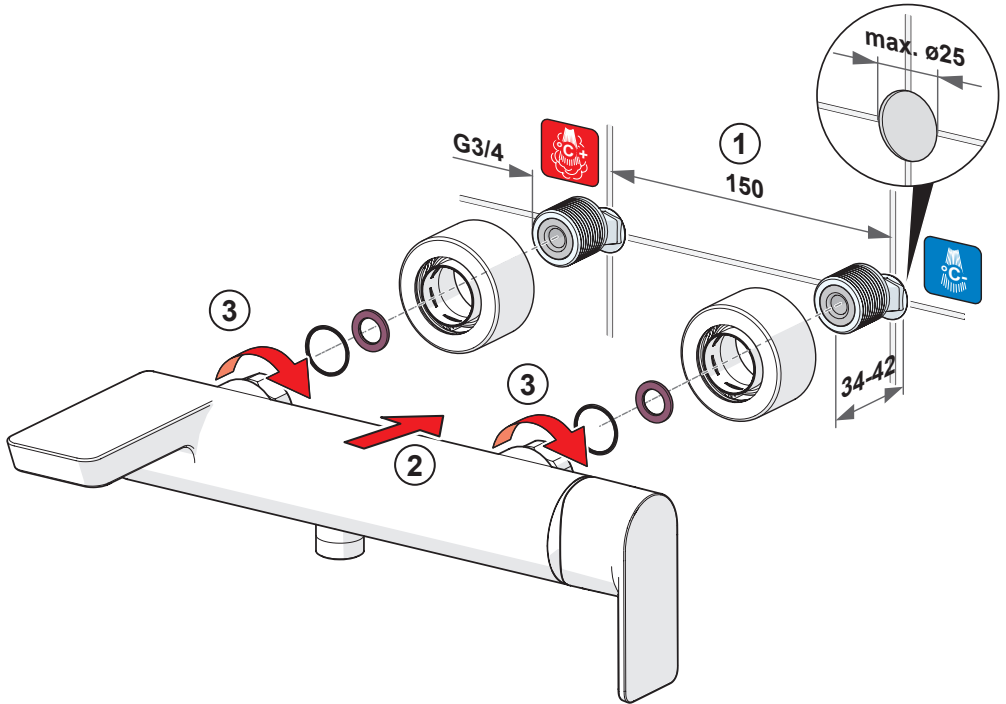


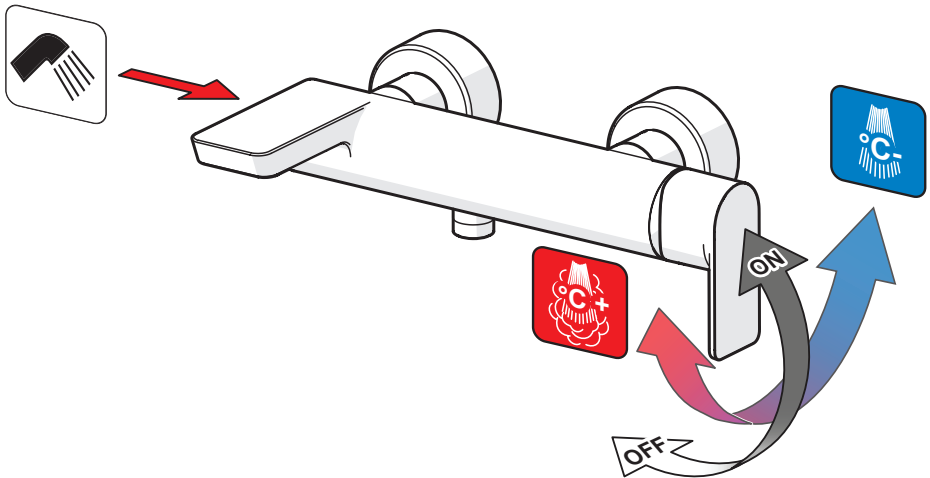
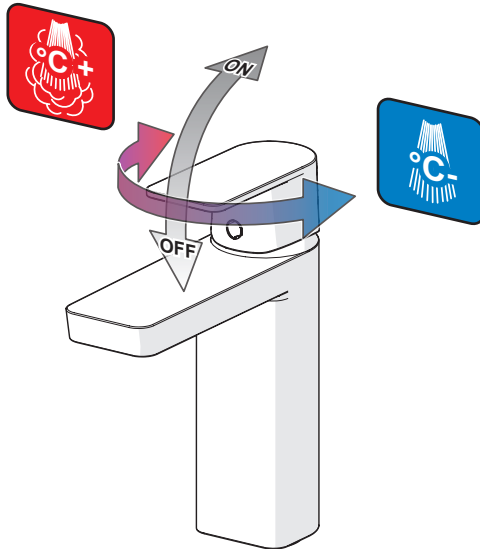
① ② ③

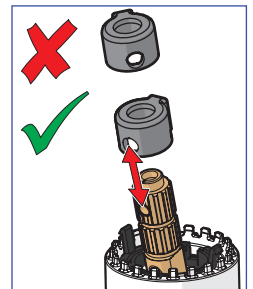
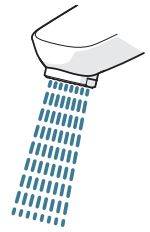
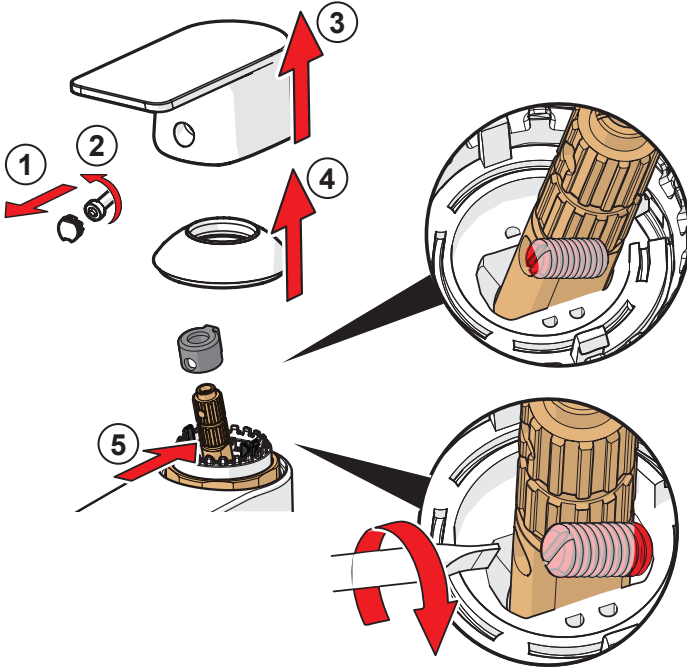
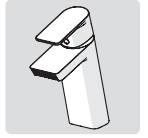
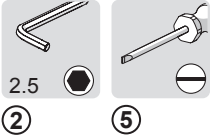
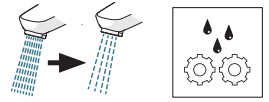


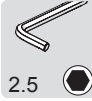


max.  
1600 kPa







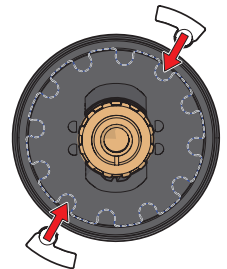
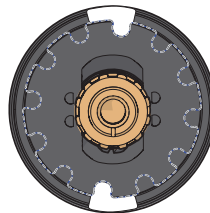
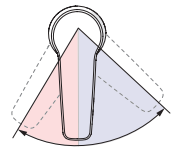
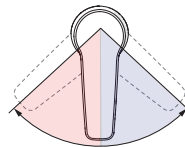
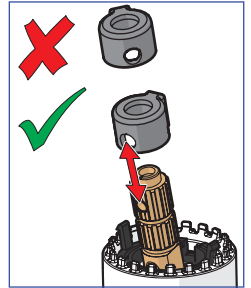
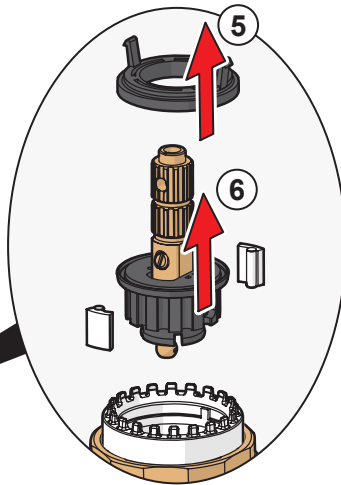
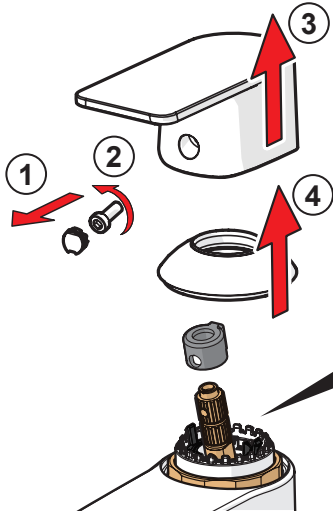
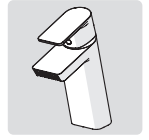
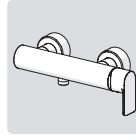
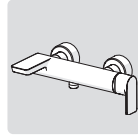


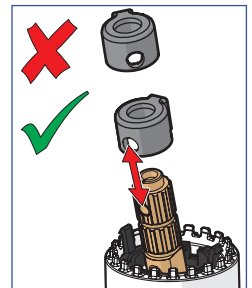
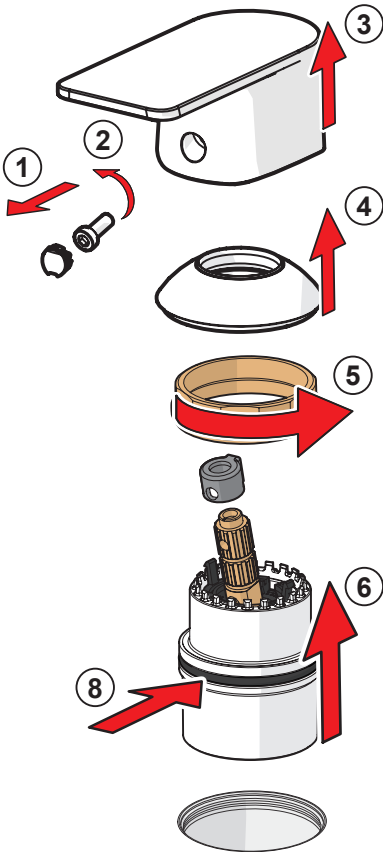
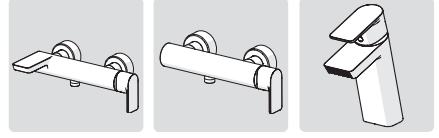
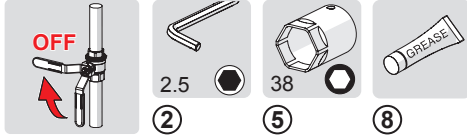
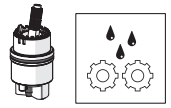
2.5

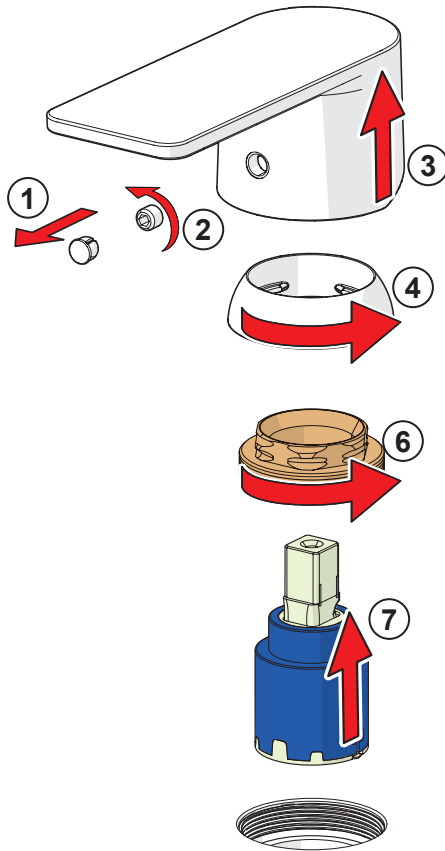
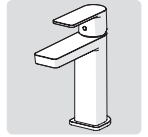
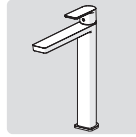
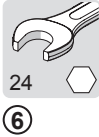
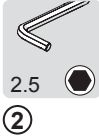
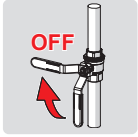
②



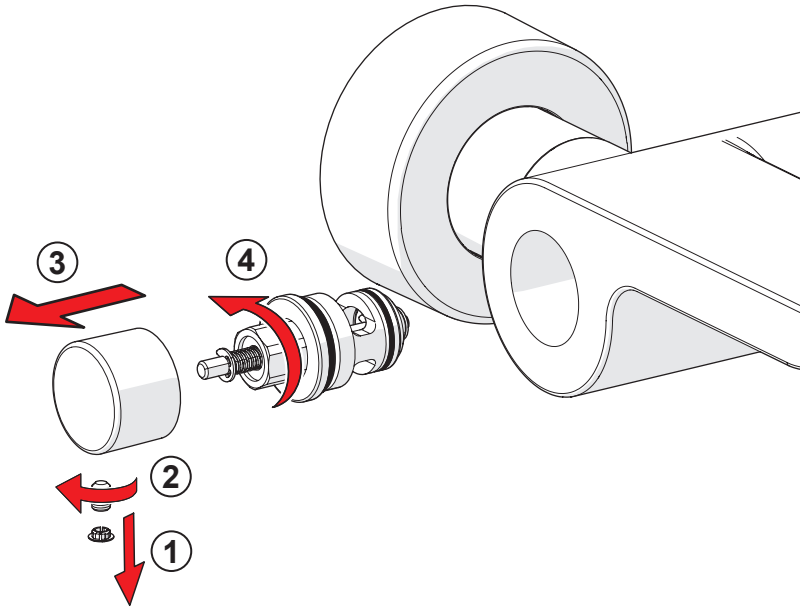
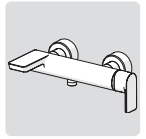
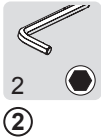
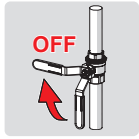
⑤ ⑥

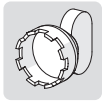




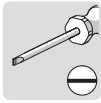








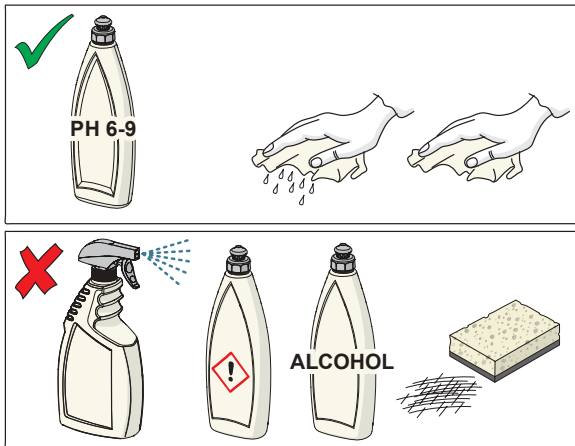
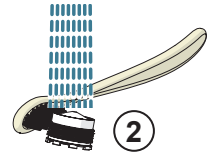
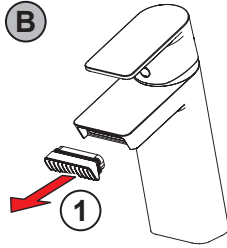
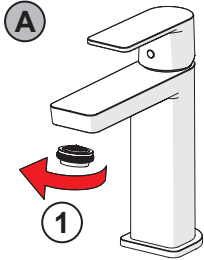
**A1**



**B1**



**2**



CLEANING.HANSA.COM



Oras Group is a powerful European provider of sanitary fittings: the market leader in the Nordics and a leading company in Continental Europe. The company's mission is to make the use of water easy and sustainable and its vision is to become the European leader of advanced sanitary fittings. Oras Group has two strong brands: Oras and Hansa.

The Group's head office is located in Rauma, Finland, and the Group has three manufacturing sites: Kralovice (Czech Republic), Olesno (Poland) and Rauma (Finland). Oras Group employs approximately 1,200 people in twenty countries. Oras Group is owned by Oras Invest, a family company and an industrial owner.

HANSA Armaturen GmbH  
P. O. BOX 81 02 40  
D-70519 Stuttgart  
Sigmaringer Strasse 107  
D-70567 Stuttgart  
Tel.: +49 711 16 14 0  
Fax: +49 711 16 14 368  
info@hansa.de  
www.hansa.com

