

Technische Daten/ Technical Data

KLUDI ZENTA SL

concealed single lever bath-and shower mixer
with security combination according to EN 1717
PN 10

Ref.:
486630565

Finishes:
05 chrome

Product description

Manufacturer KLUDI GmbH & Co. KG

Typ: KLUDI ZENTA SL

concealed single lever bath-and shower mixer

Ref.: 486630565

concealed bath-shower mixer

single lever mixer

trim set without pre-installation set

pre installation set KLUDI FLEXX.BOX Ref.: 88011

trim set with functional unit

wall mounted

PUSH&SWITCH diverter

automatic diverter: shower/ bath

solid lever, metal

protected against back flow

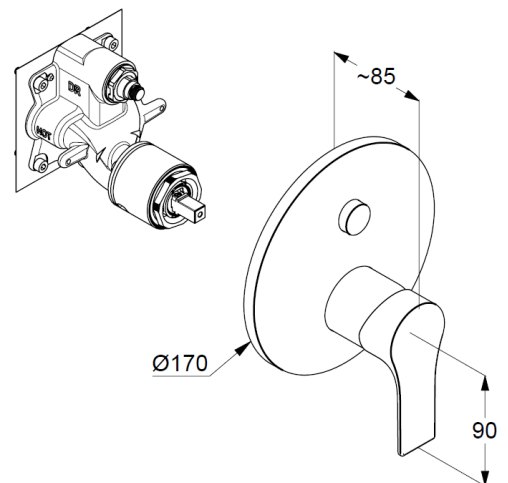
ceramic cartridge with hot water safety device

flow rate at 3 bar 25 l/min.

Produktabbildung/ Product picture



Maßzeichnung/ Dimensional drawing



Durchfluss/ Flow rate

