



# HANSAPINTO

Installation and maintenance guide







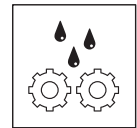
4-6



7-10



11



12-16

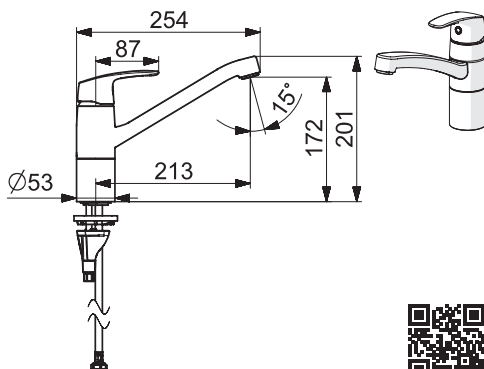
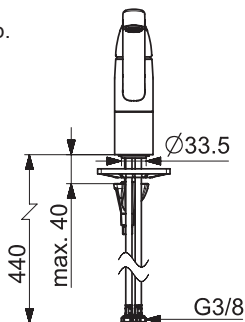


17



### 4508 2293

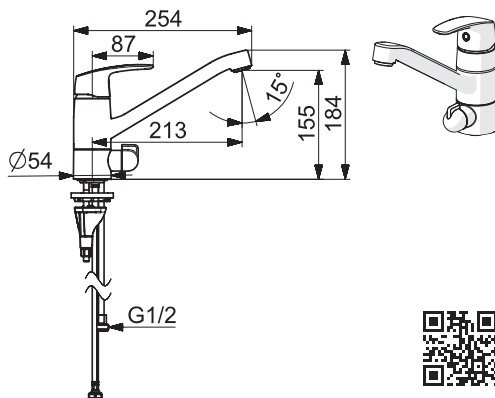
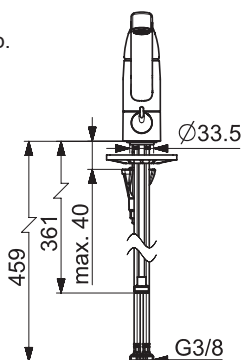
I (ISO 3822) Oras lab.  
EN 817  
50 - 1000 kPa  
0.20 l/s (300 kPa)  
max. +80°C



[mpi.hansa.com/45082293](http://mpi.hansa.com/45082293)

### 4520 2293

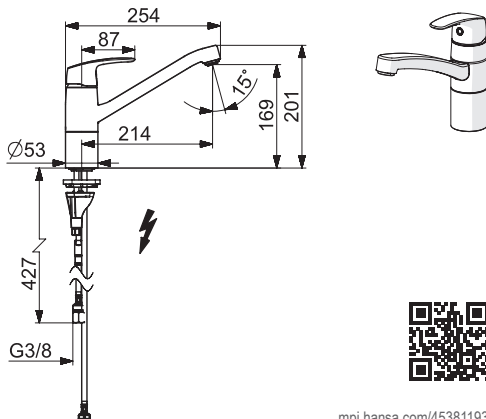
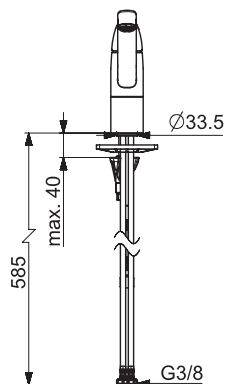
I (ISO 3822) Oras lab.  
EN 817  
50 - 1000 kPa  
0.20 l/s (300 kPa)  
max. +80°C



[mpi.hansa.com/45202293](http://mpi.hansa.com/45202293)

### 4538 1193

I (ISO 3822) Oras lab.  
EN 817  
50 - 1000 kPa  
0.1 l/s (300 kPa)  
max. +80°C

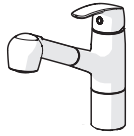
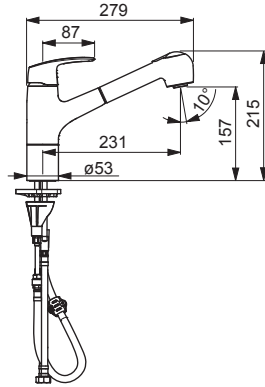
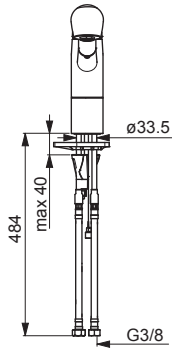


[mpi.hansa.com/45381193](http://mpi.hansa.com/45381193)



**4518 2283**

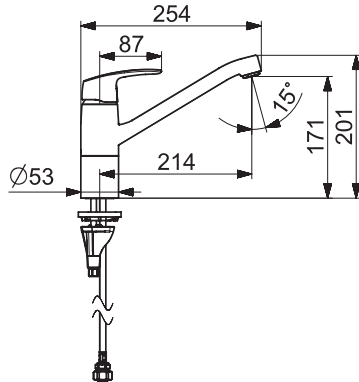
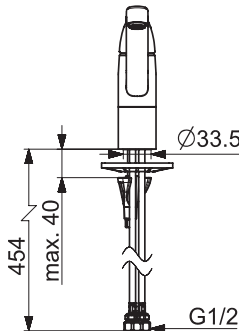
I (ISO 3822) Oras lab.  
EN 817  
50 - 1000 kPa  
0.16 l/s (300 kPa)  
max. +80°C



[mpi.hansa.com/45182283](http://mpi.hansa.com/45182283)

**4508 2293 0037**

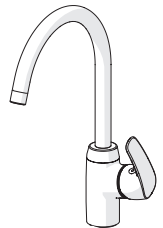
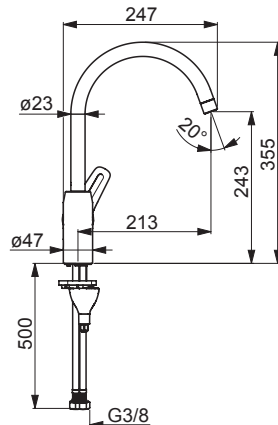
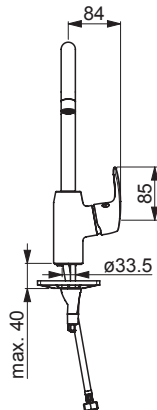
I (ISO 3822) Oras lab.  
EN 817  
50 - 1000 kPa  
0.125 l/s (300 kPa)  
max. +80°C



[mpi.hansa.com/450822930037](http://mpi.hansa.com/450822930037)

**4513 2283**

I (ISO 3822) Oras lab.  
EN 817  
50 - 1000 kPa  
0.21 l/s (300 kPa)  
max. +80°C

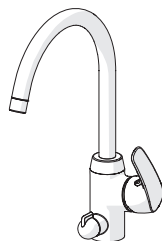
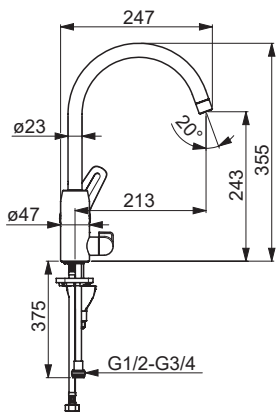
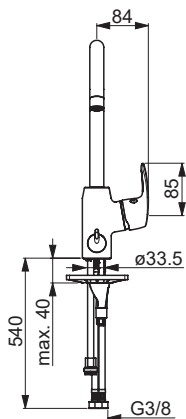


[mpi.hansa.com/45132283](http://mpi.hansa.com/45132283)



## 4514 2283

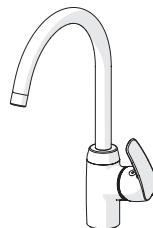
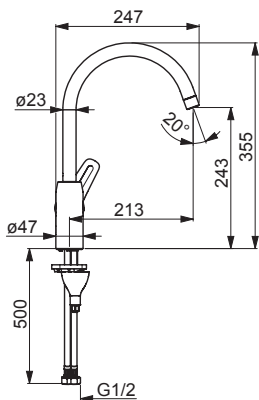
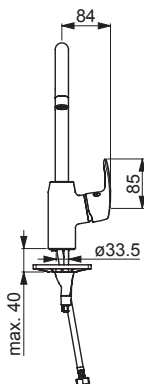
I (ISO 3822) Oras lab.  
EN 817  
50 - 1000 kPa  
0.19 l/s (300 kPa)  
max. +80°C



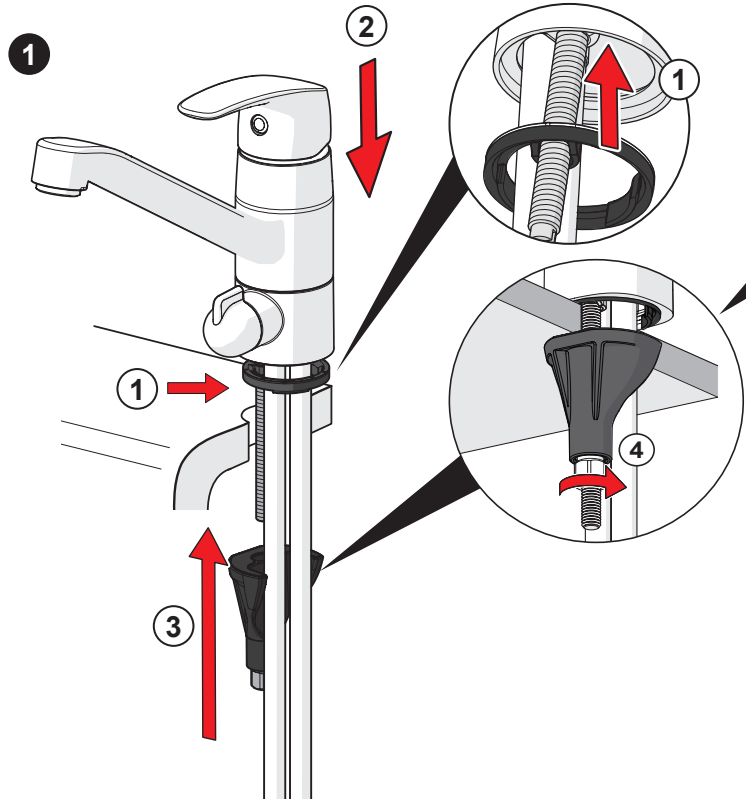
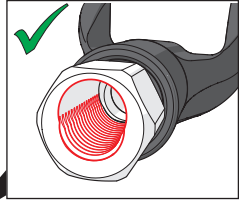
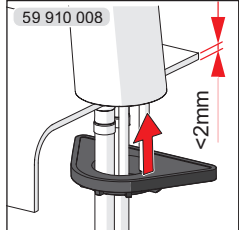
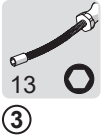
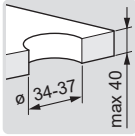
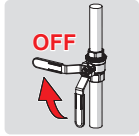
[mpi.hansa.com/45142283](https://mpi.hansa.com/45142283)

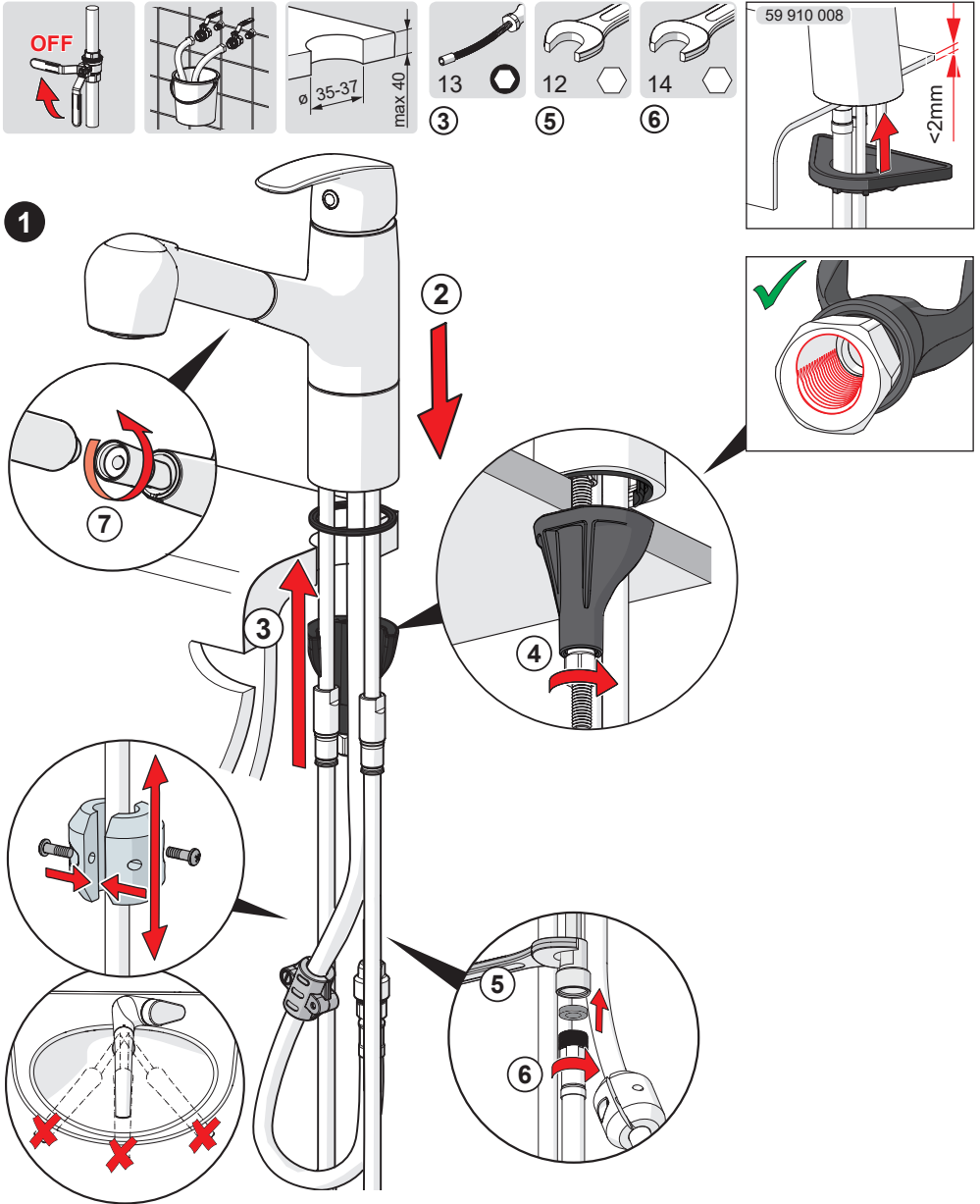
## 4513 2283 0037

I (ISO 3822) Oras lab.  
EN 817  
50 - 1000 kPa  
0.125 l/s (300 kPa)  
max. +80°C



[mpi.hansa.com/451322830037](https://mpi.hansa.com/451322830037)





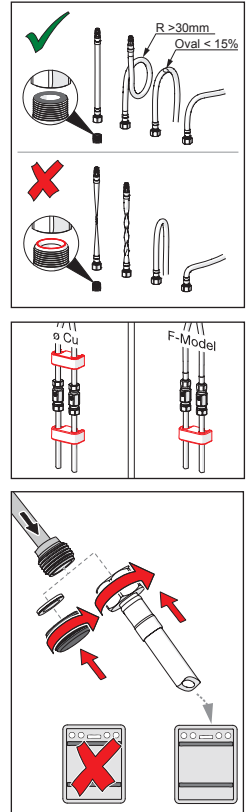
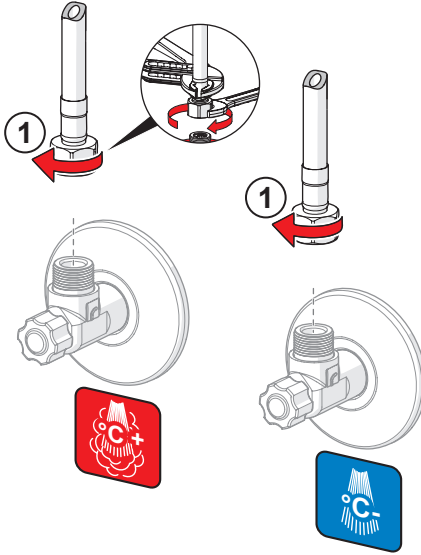


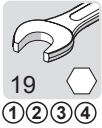


1

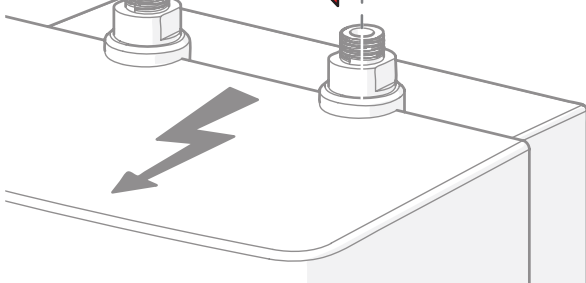
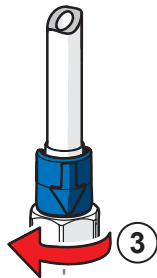
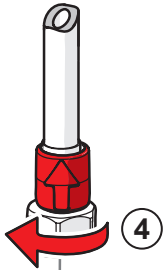
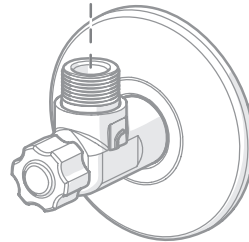
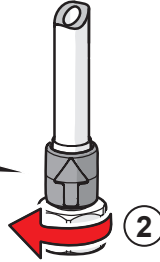
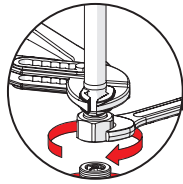
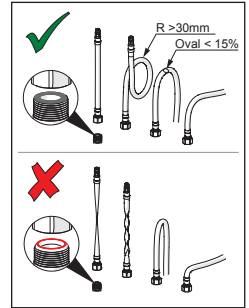
max.  
1600 kPa

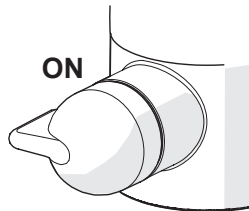
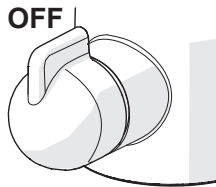
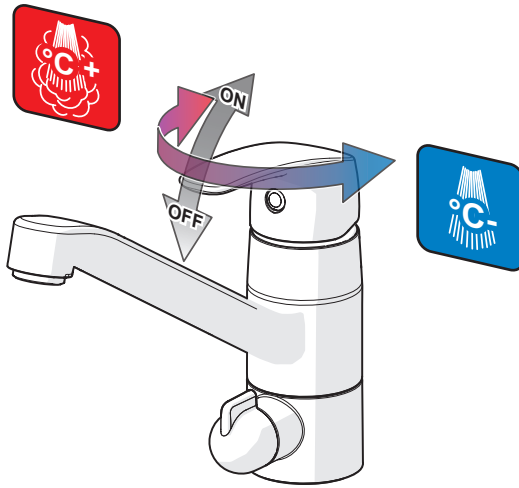
2

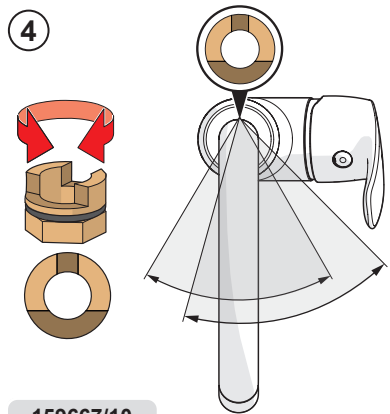
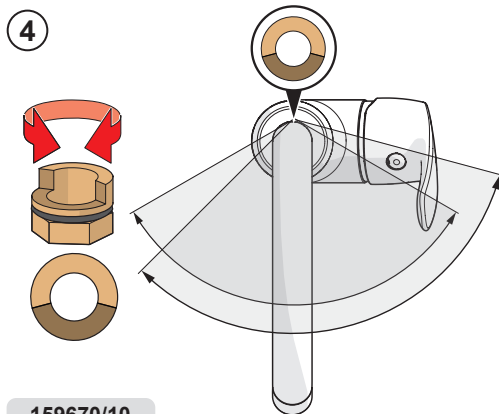
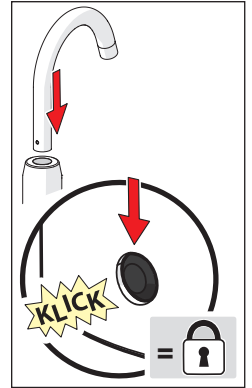
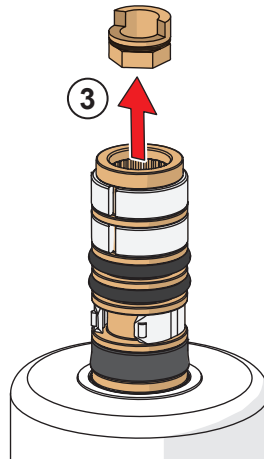
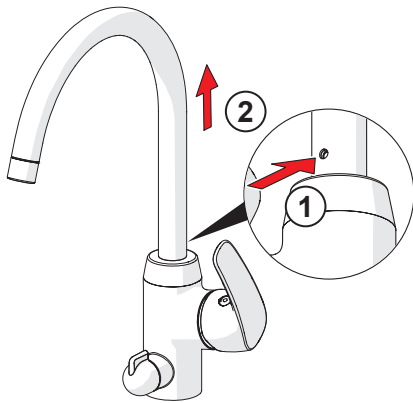
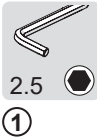
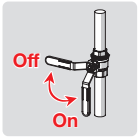




**2**

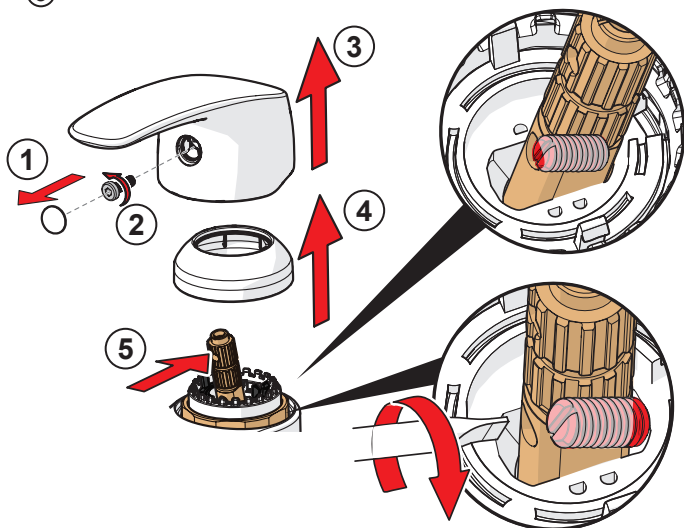
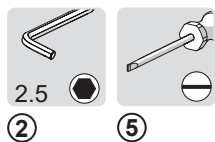


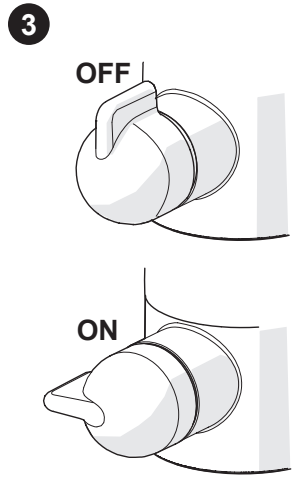
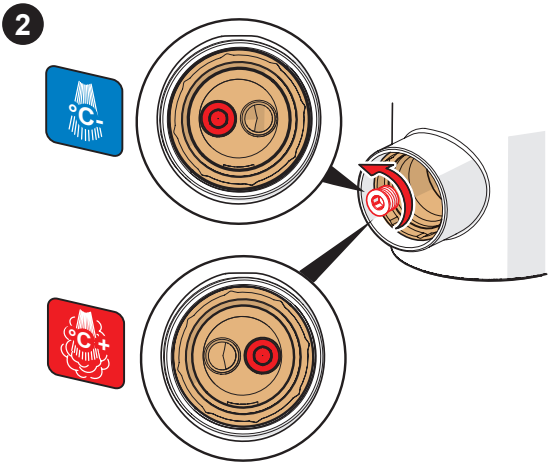
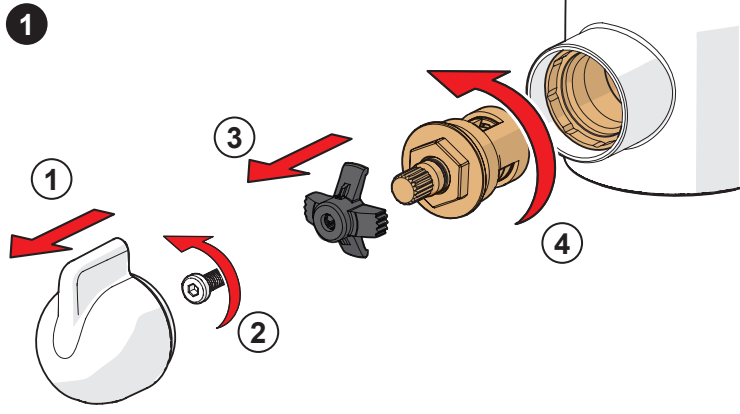
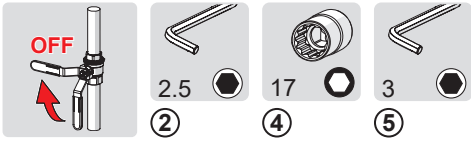
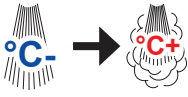


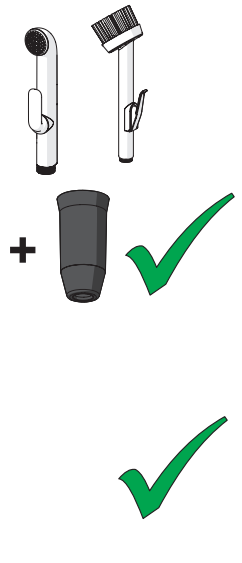
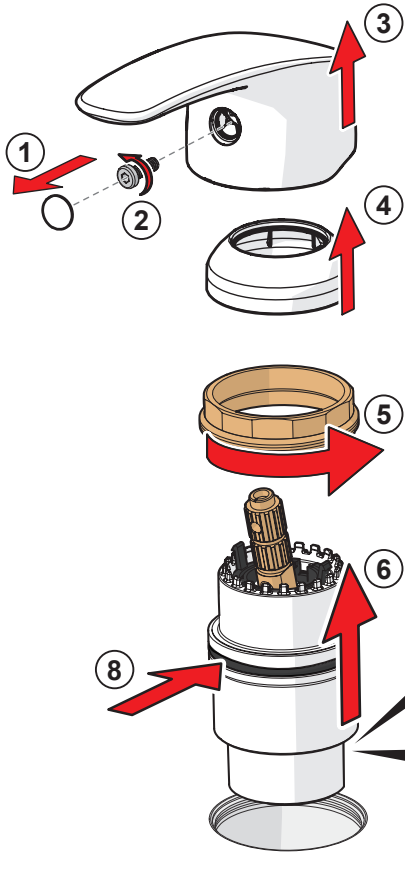
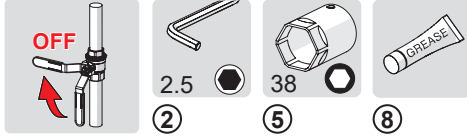


159670/10

159667/10









A1



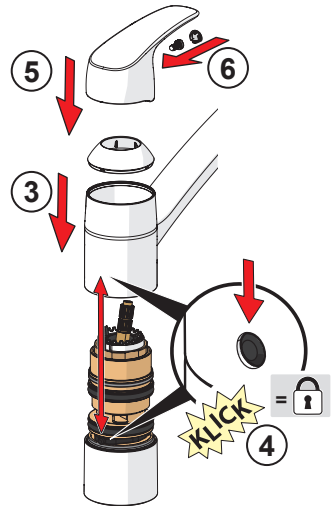
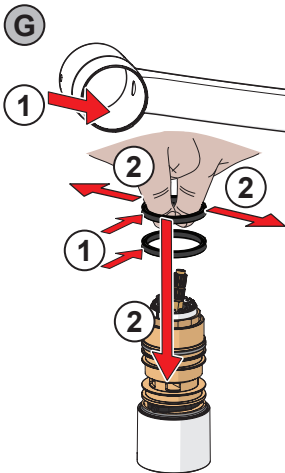
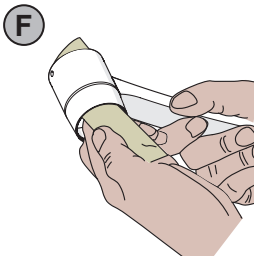
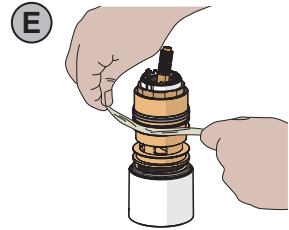
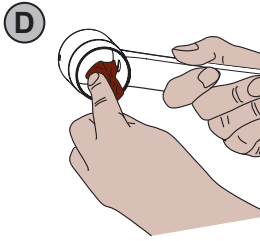
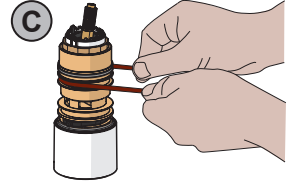
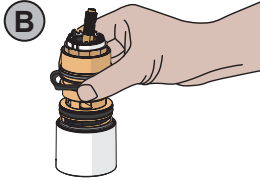
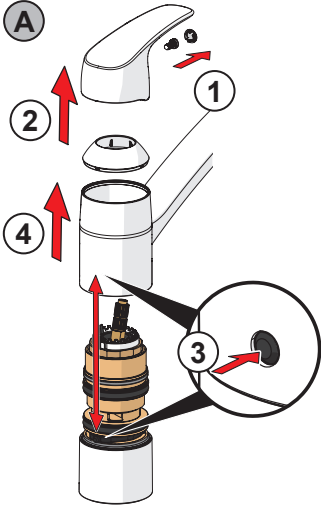
G1



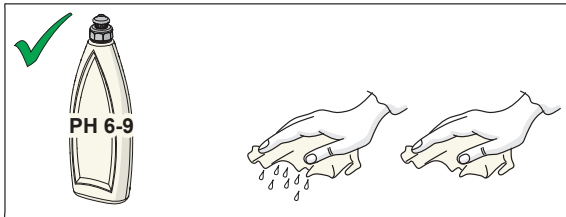
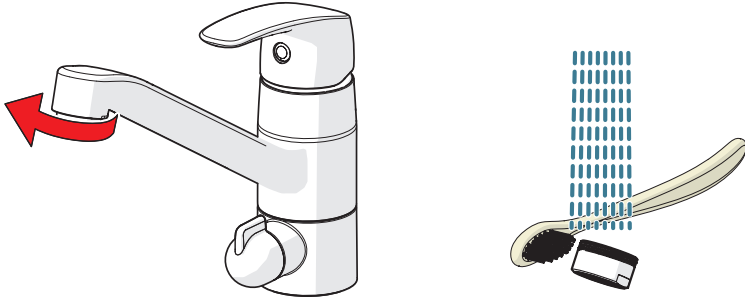
G2



G6







[cleaning.hansa.com](http://cleaning.hansa.com)





Oras Group is a powerful European provider of sanitary fittings: the market leader in the Nordics and a leading company in Continental Europe. The company's mission is to make the use of water easy and sustainable and its vision is to become the European leader of advanced sanitary fittings. Oras Group has two strong brands: Oras and Hansa.

The Group's head office is located in Rauma, Finland, and the Group has three manufacturing sites: Kralovice (Czech Republic), Olesno (Poland) and Rauma (Finland). Oras Group employs approximately 1,200 people in twenty countries. Oras Group is owned by Oras Invest, a family company and an industrial owner.

HANSA Armaturen GmbH  
P. O. BOX 81 02 40  
D-70519 Stuttgart  
Sigmaringer Strasse 107  
D-70567 Stuttgart  
Tel.: +49 711 16 14 0  
Fax: +49 711 16 14 368  
info@hansa.de  
www.hansa.com



943426D-11-20