

Technische Daten/ Technical Data

KLUDI ZENTA SL
concealed thermostatic shower mixer
trim set with functional unit

Ref.: 388850545

Finishes:
05 chrome

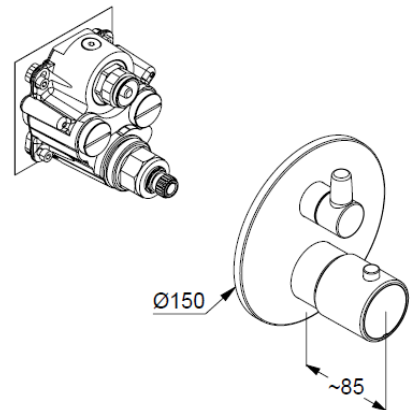
Product description
Manufacturer KLUDI GmbH & Co. KG
Typ: KLUDI ZENTA SL
concealed thermostatic shower mixer
trim set with functional unit
Ref.: 388850545

concealed thermostatic shower mixer
trim set without pre-installation set
pre installation set KLUDI SLIM.BOX Ref.: 88022
wall mounted
trim set with functional unit
with ceramic shut-off valve 90°
temperature handle with hot water safety at 40°C
flow rate at 3 bar 28 l/min.
with integrated back flow preventer

Produktabbildung/ Product picture



Maßzeichnung/ Dimensional drawing



Durchfluss/ Flow rate

