

Technische Daten/ Technical Data

KLUDI ZENTA SL

concealed thermostatic bath-shower mixer
trim set with functional unit

Ref.: 388300545

Finishes:
05 chrome

Product description

Manufacturer KLUDI GmbH & Co. KG

Typ: KLUDI ZENTA SL

concealed thermostatic bath-shower mixer
trim set with functional unit

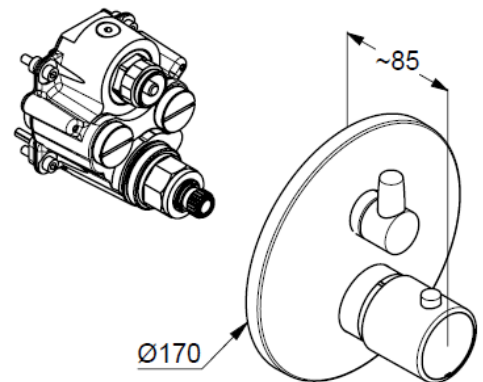
Ref.: 388300545

concealed thermostatic bath-shower mixer
trim set without pre-installation set
pre installation set KLUDI FLEXX.BOXX Ref.: 88011
wall mounted
trim set with functional unit
with ceramic shut-off valve 90°/90°
temperature handle with hot water safety at 40°C
optional temperature limiter at 43°C included
flow rate at 3 bar 20 l/min.
with integrated back flow preventer

Produktabbildung/ Product picture



Maßzeichnung/ Dimensional drawing



Durchfluss/ Flow rate

