



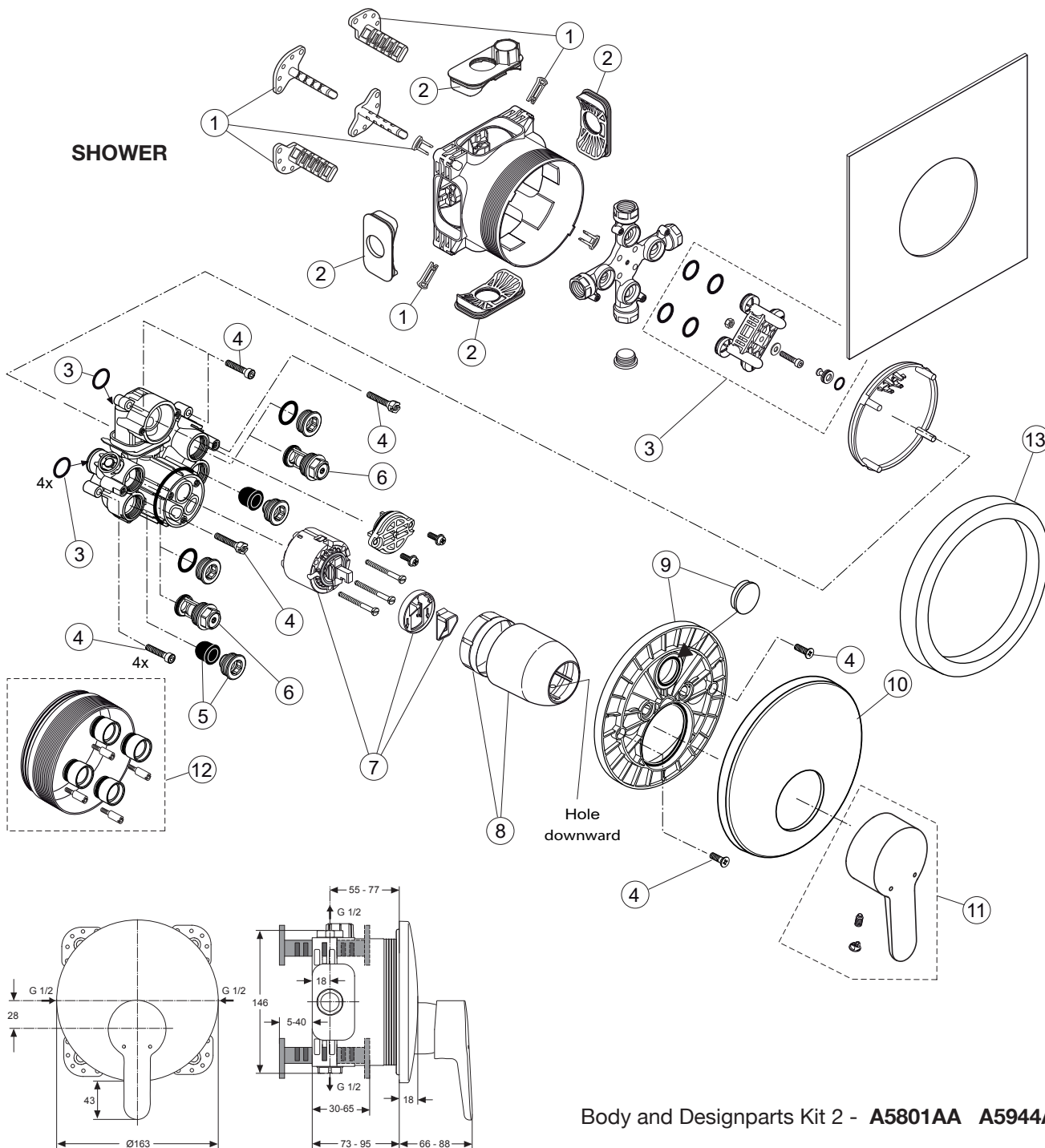
# Connect Blue

A5801.. A5944..

Ideal Standard

Produced from: Nov.2020

Pre-installation Kit 1 - Easy Box **A1000NU**



Body and Designparts Kit 2 - **A5801AA A5944AA**

Replace XX with the appropriate finish code  
chrome = AA,

Example spare part order:  
**A 960 893 AA** in chrome

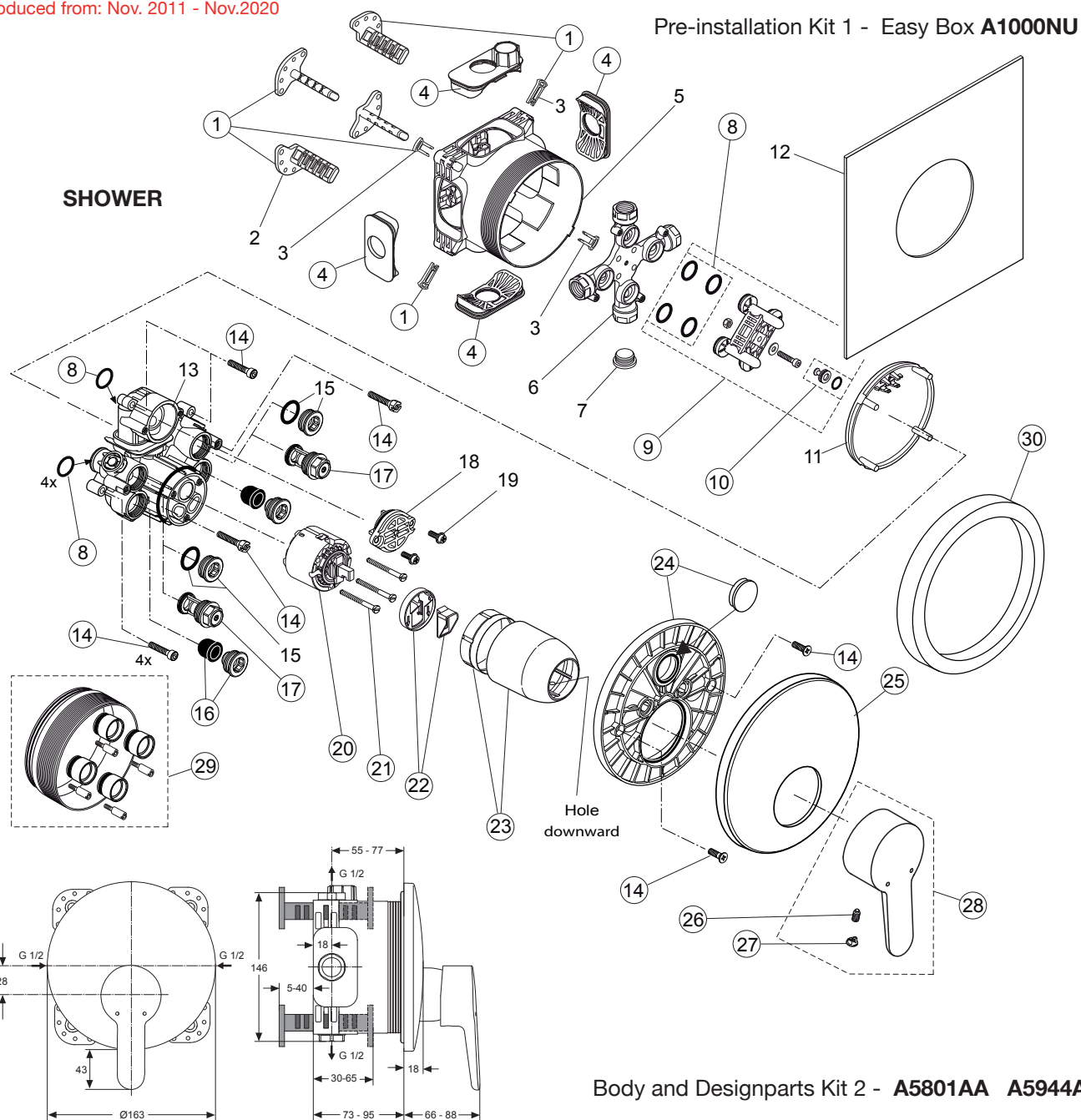
Pos.	Description	Part-Number	Qty.	Pos.	Description	Part-Number	Qty.
1	Installation depth adjust.	<b>A 963 131 NU</b>	1 Set	11	Lever compl. with IS Logo	<b>B 961 011 XX</b>	1 pcs
2	Side sealing	<b>A 963 132 NU</b>	1 Set	12	Extension kit 20mm	<b>A 960 704 NU</b>	1 Set
3	Flushing device cpl.	<b>A 963 146 NU</b>	1 Set		Extension kit 40mm	<b>A 962 476 NU</b>	1 Set
4	Screw set complete	<b>A 960 890 NU</b>	1 Set	13	Distance frame 20mm	<b>A 960 705 XX</b>	1 pcs
5	Low noise insert	<b>A 960 891 NU</b>	1 pcs				
6	Stop valve	<b>A 960 706 NU</b>	2 pcs				
7	Cartridge with ECO-kit	<b>A 960 500 NU</b>	1 pcs				
8	Cover + clamping + O-ring	<b>A 960 893 XX</b>	1 pcs				
9	Escutcheon holder compl.	<b>A 960 895 NU</b>	1 Set				
10	Escutcheon / Shr curved	<b>A 962 390 XX</b>	1 pcs				

Connect Blue

# Connect Blue A5801.. A5944..



Produced from: Nov. 2011 - Nov.2020



Replace XX with the appropriate finish code  
chrome = AA,

Example spare part order:  
A 960 893 AA in chrome

Pos.	Description	Part-Number	Qty.	Pos.	Description	Part-Number	Qty.
1	Installation depth adjustment with clips	A 963 131 NU	1 Set	16	Low noise insert	A 960 891 NU	1 pcs
2	Depth adjustment device			17	Stop valve	A 960 706 NU	2 pcs
3	Adjustment lock ( contained in pos. 1 )			18	Front cover with o-ring		
4	Side sealing	A 963 132 NU	1 Set	19	Screw M4x12		
5	Built-in box			20	Cartridge with pos.22	A 960 500 NU	1 pcs
6	Multi-way body			21	Cylindrical screw M4x41,7	A 963 335 NU	3 pcs
7	Plug G1/2			22	ECO-kit	A 860 700 NU	1 Set
8	O-ring Ø 17 x 2,5	A 963 143 NU	1 Set	23	Cover + clamping + O-ring	A 960 893 XX	1 pcs
9	Flushing device with Screw, washer + sealing set	A 963 146 NU	1 Set	24	Escutcheon holder compl.	A 960 895 NU	1 Set
10	Plug with o-ring Ø 12x1,5	A 963 147 NU	1 pcs	25	Escutcheon / Shr curved	A 962 390 XX	1 pcs
11	Cover for built-in box			26	Thread pin M5x10 DIN915	A 963 309 NU	1 pcs
12	Sealing fleece			27	Handle cap	B 960 473 XX	1 pcs
13	Body Single lever			28	Lever compl. with IS Logo	B 961 011 XX	1 pcs
14	Screw set complete	A 960 890 NU	1 Set	29	Extension kit 20mm	A 960 704 NU	1 Set
15	Plug with o-ring				Extension kit 40mm	A 962 476 NU	1 Set
				30	Distance frame 20mm	A 960 705 XX	1 pcs