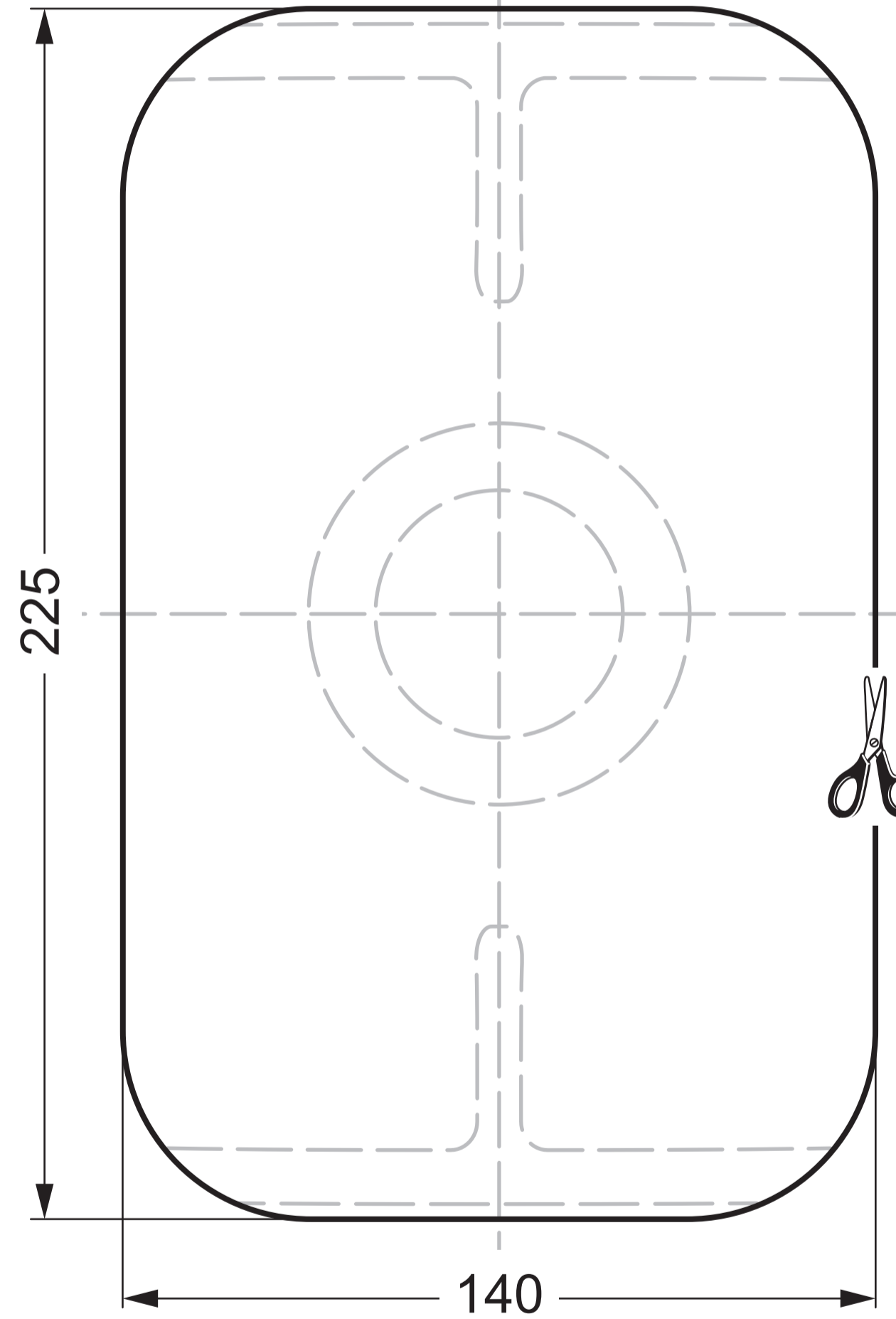
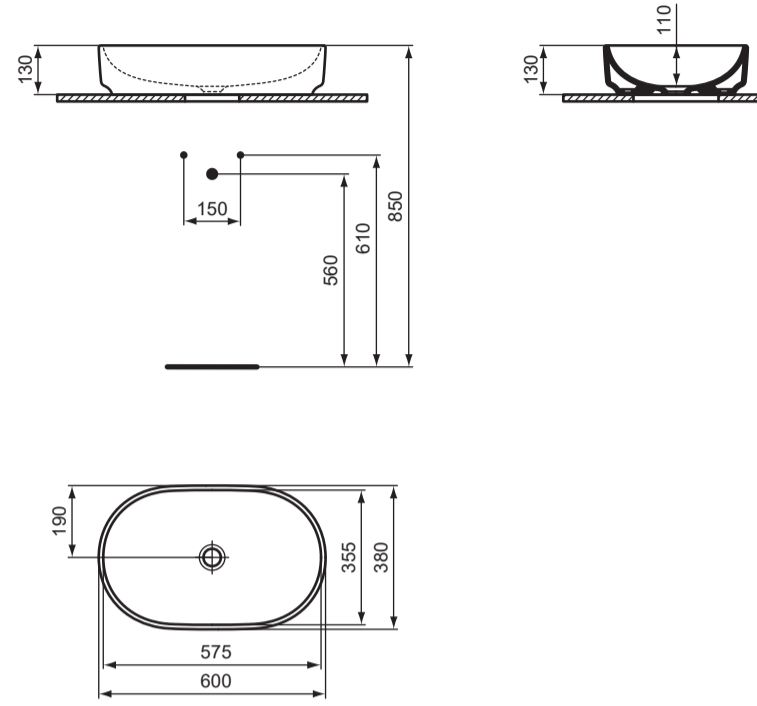


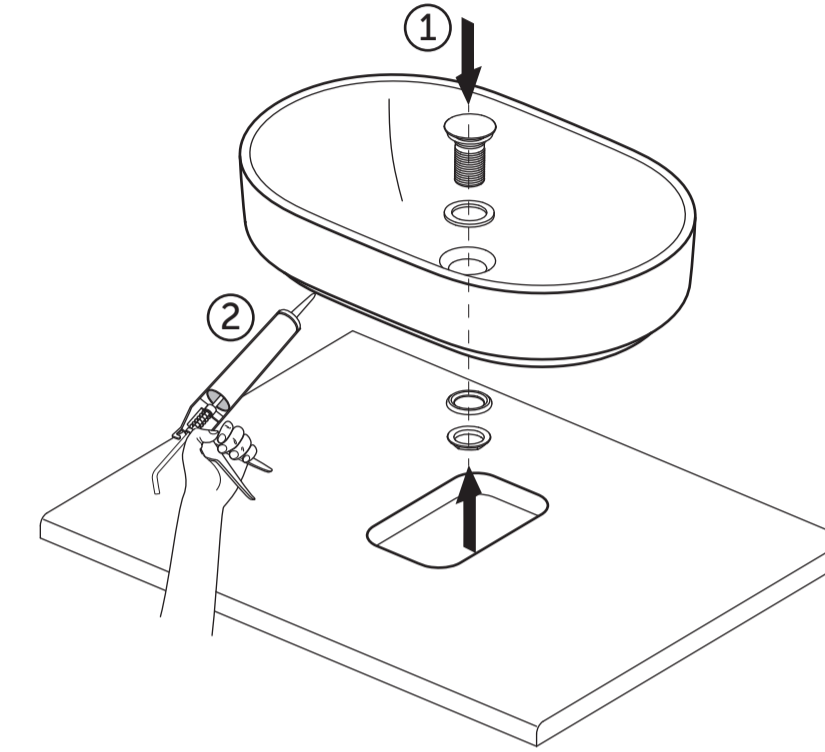


Ideal Standard

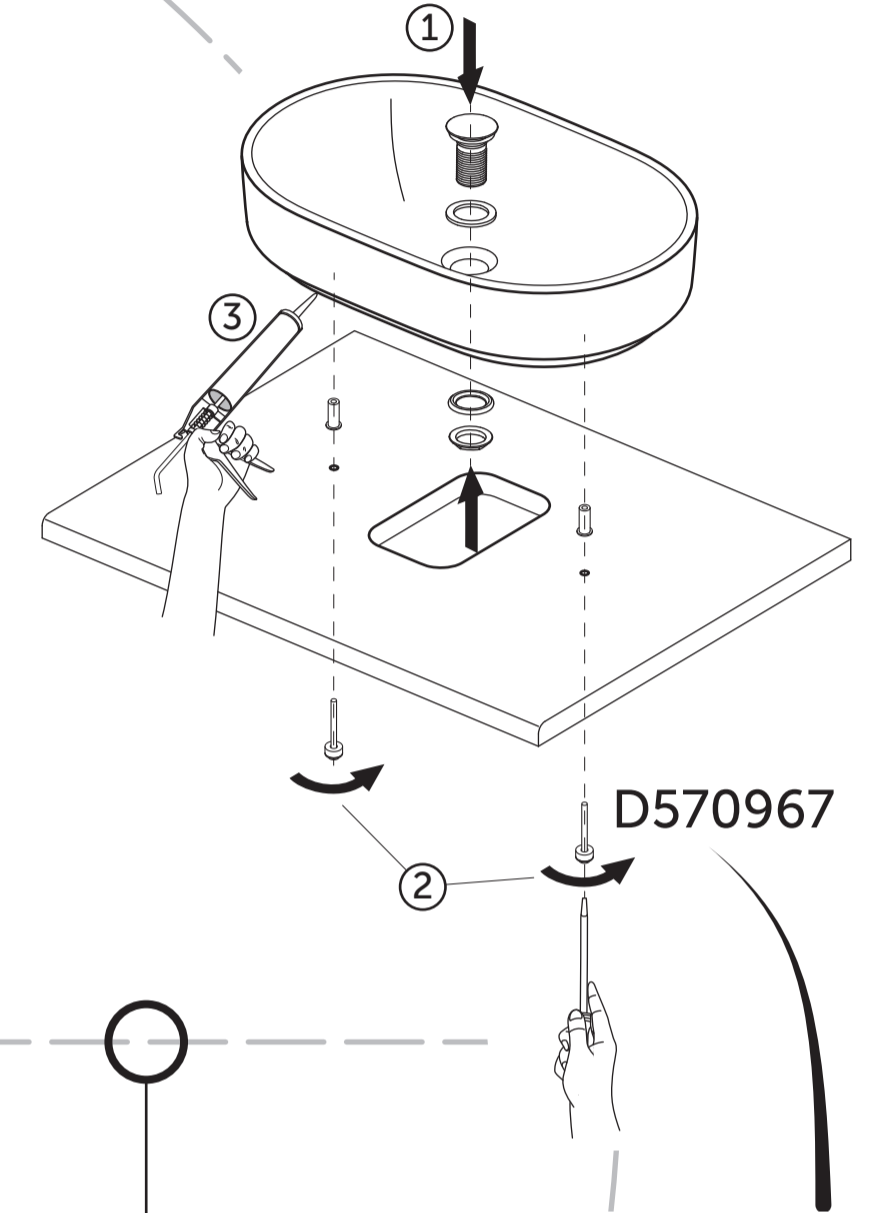


Ø10[ⓑ]

Ⓐ Installation without fixation:



Ⓑ Installation with fixation (not supplied):



D570967

A: 45 mm, x2
 B: 60 mm, x2
 C: x2
 D: x2
 E: x2
 F: x2

H, mm	6 - 8	9 - 14	15 - 20	21 - 24	25 - 29	30 - 35
	F	F	F	F	F	F
	A C E	A C D	A C	B E	B D	B C