

## Technische Daten/ Technical Data

KLUDI ZENTA SL  
thermostatic bath and shower mixer  
DN 15

Ref.: 351010538

Finishes:  
05 chrome

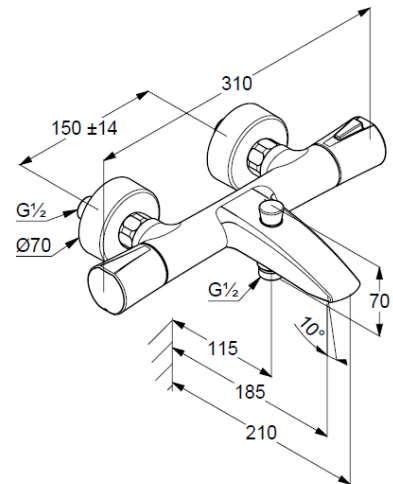
Product description  
Manufacturer KLUDI GmbH & Co. KG  
Typ: KLUDI ZENTA SL  
thermostatic bath and shower mixer  
Ref.: 351010538

thermostatic bath and shower mixer  
wall mounted  
automatic diverter: shower/bath  
temperature handle with hot water safety at 40°C  
aerator M24  
shower outlet G $\frac{1}{2}$   
protected against back flow  
ceramic headparts 90°  
flow rate at 3 bar 23 l/min.  
S-unions G $\frac{1}{2}$  x G $\frac{3}{4}$   
with dirt-catcher sieve

### Produktabbildung/ Product picture



### Maßzeichnung/ Dimensional drawing



### Durchfluss/ Flow rate

