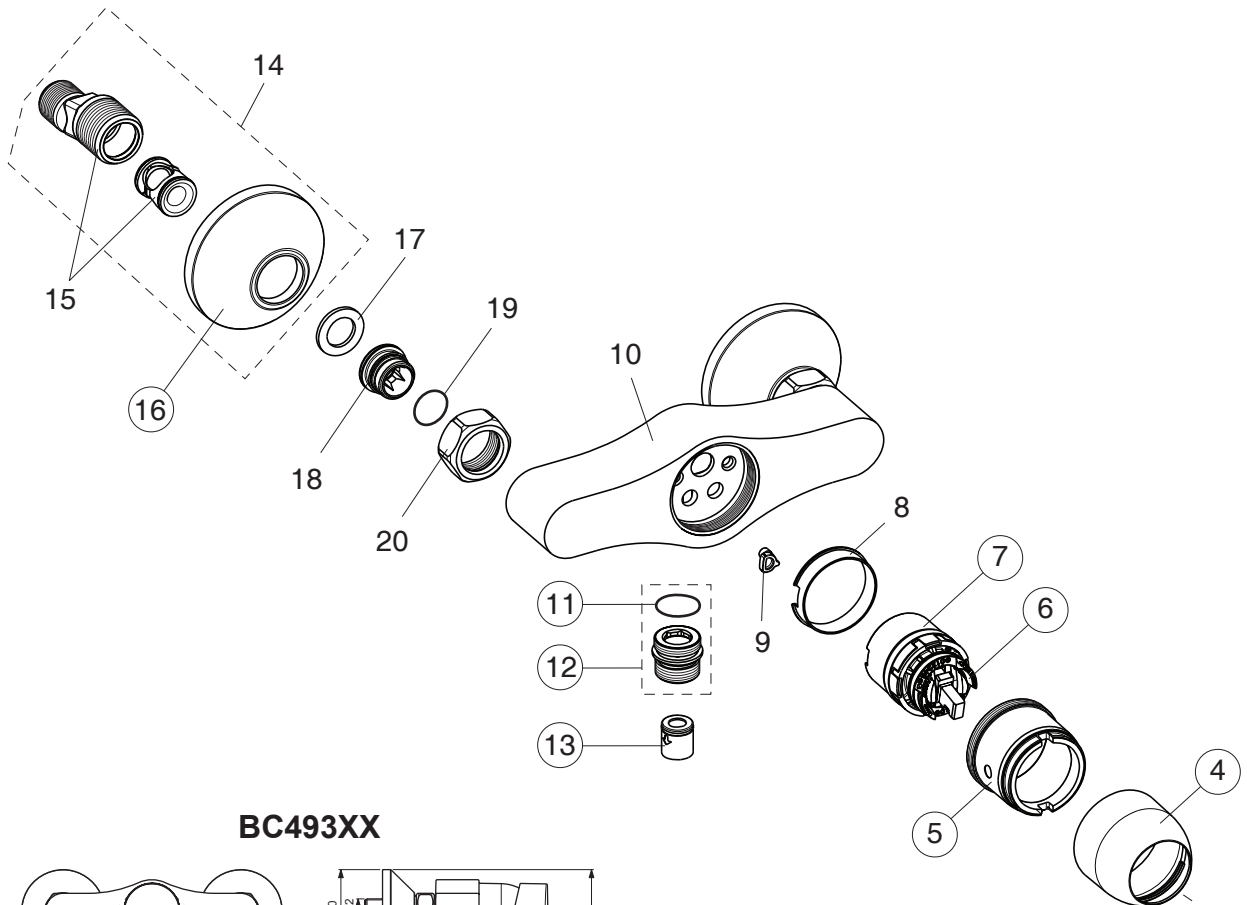


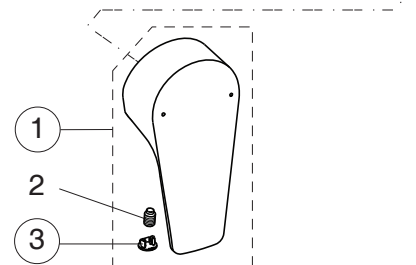
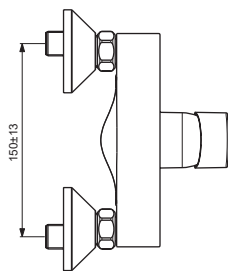
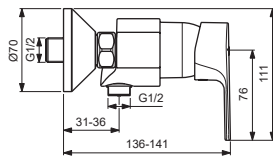
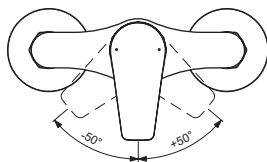


CERAFINE MODEL D

Ideal Standard



BC493XX



For XX=Coverage-Designate:

AA=chrome, U6=grey pearl

For Instance:

B961654AA for chrome

Pos.	Signify	Spare parts-Nr.	Quantity	Pos.	Signify	Spare parts-Nr.	Quantity
1	Lever, w/logo-compl.	B961654XX	1 Set	15	S-connector G3/4		2 Pcs.
2	Screw M5x8		1 Pcs.	16	Rosette	A963489XX	1 Pcs.
3	Cap decorative	B960473XX	1 Pcs.	17	Fiber ring		2 Pcs.
4	Rosette M41x1.5	B961386XX	1 Pcs.	18	Nipple M19x1.5LH		2 Pcs.
5+pos.8	Screw M41x1.5/M46x1.5	B961387NU	1 Pcs.	19	O-Ring Ø15.6x1.78		2 Pcs.
6	Hot limit stop	A861181NU	1 Pcs.	20	Coupling nut		2 Pcs.
7+pos.9	Cartridge Ø38mm	B961491NU*	1 Pcs.				
8	Support ring		1 Pcs.				
9	Pin		1 Pcs.				
10	Body shower		1 Pcs.				
11	O-Ring Ø18.2x1.7	A961640NU	2 Pcs.				
12	Nipple M22x1-G1/2	B964675XX	1 Pcs.				
13	Non return valve	B961346NU	1 Pcs.				
14	S-connection-compl.		1 Pcs.				

*Universal set (not all parts needed)