

Product: KLUDI MX single lever sink mixer DN 15

Ref.: 399420562

Product description

single lever sink mixer DN 15
 open ring lever
 single hole mounted
 flow rate 5 l/min
 flow straightener M 24 x l
 ceramic cartridge with hot water safety device
 swivel spout (110°)
 pull-out hand shower
 automatic diverter: jet/spray
 for use with displacement heaters
 copper tubes Ø 8/10 mm
 noise group I
 P- IX 18644/l

Finishes:
 05 chrome

Advertisement

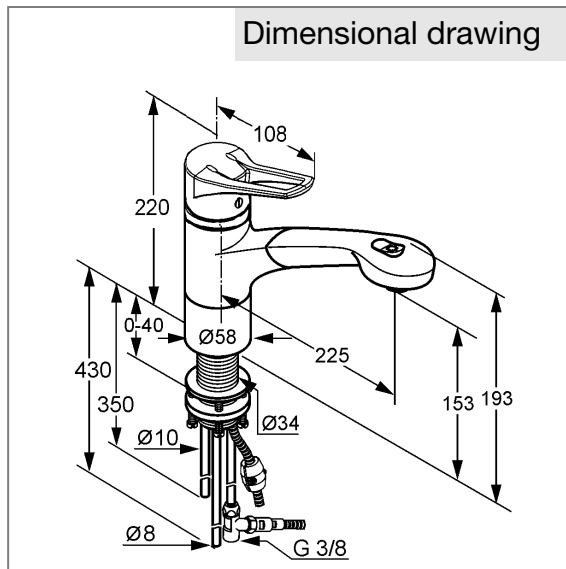
- * KLUDI GmbH & Co KG KLUDI MX single lever sink mixer item no. 399420562
- ** ceramic cartridge with hot water safety device Ø 41 mm, ajar to DIN EN 817
- *** brass, DIN EN 50930-6

single lever sink mixer, manufacturer KLUDI GmbH & Co KG KLUDI MX single lever sink mixer item no. 399420562, DN 15, finishes: chrome, type: single lever sink mixer DN 15, swivel spout with pull out hand shower (max. 700 mm), open ring lever, lever projection 108 mm, flow straightener M 24 x l, noise level DIN EN 4109 group I, report no. P- IX 18644/l, flow rate max. 5 l/min, nozzle projection 225 mm, back nut fixing, copper supply connection Ø 8/10 mm length 430 / 350 mm, nozzle height 153 / 193 mm, ceramic cartridge with hot water safety device Ø 41 mm, pull out hand shower with automatic diverter: jet/spray, shower hose M 15 x l x 1500 mm with W270 / KTW-A, compression joints G 3/8, for borehole diameter 34 mm, overall length 220 mm, for use with displacement heaters, PN 0,

Product picture



Dimensional drawing



Flow rate diagram

