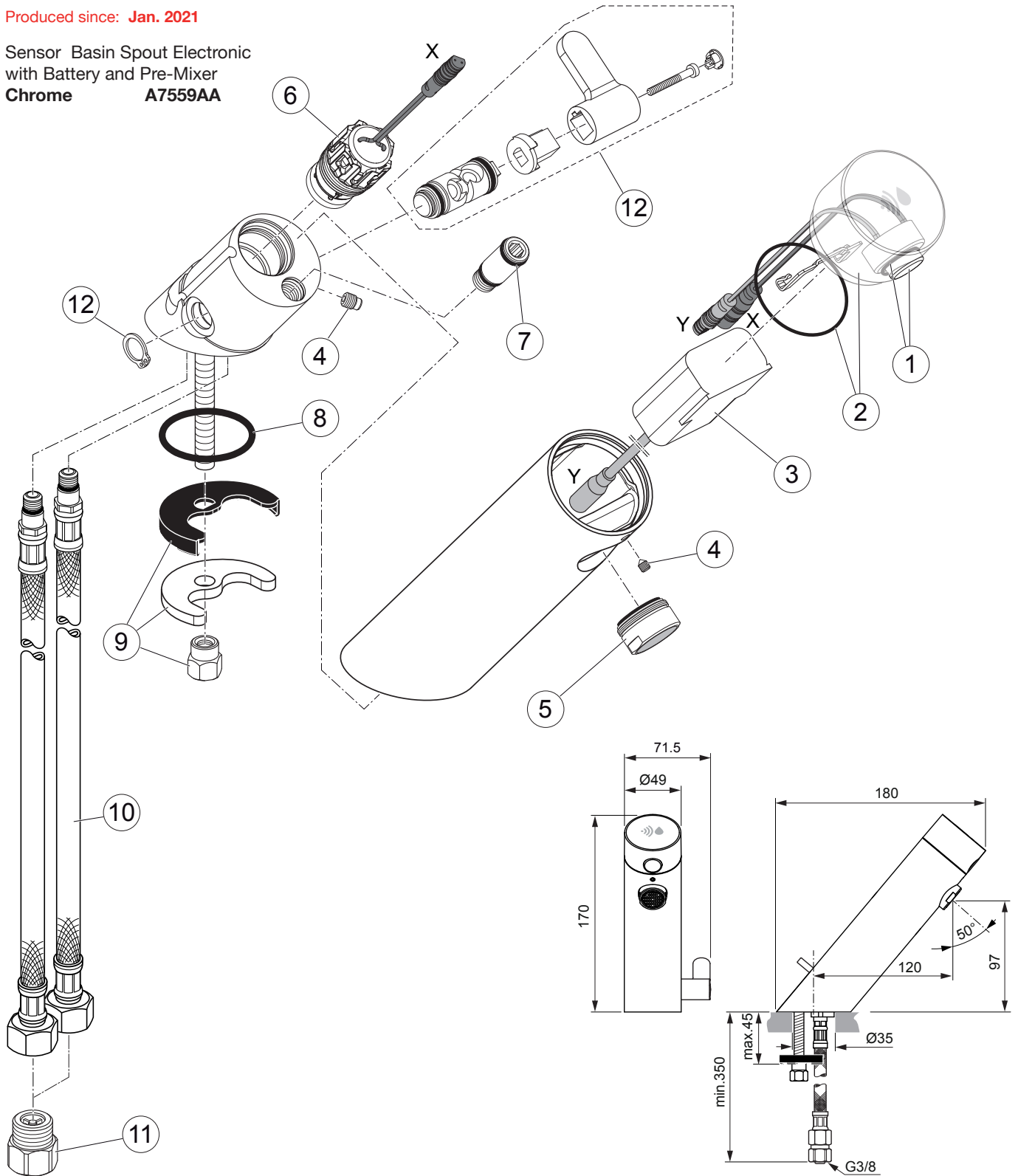


Produced since: **Jan. 2021**

Sensor Basin Spout Electronic  
with Battery and Pre-Mixer  
**Chrome A7559AA**



**Replace XX with the appropriate finish code**  
 Chrome = AA    Onyx Black = B3    Silk Black = XG

**Example spare part order:**  
**A 861 524 AA** in Chrome

Pos.	Description	Part-Number	Qty.	Pos.	Description	Part-Number	Qty.
1	Sensor cpl. with O-ring	<b>A 861 523 NU</b>	1 Set	7	O - ring Ø 12,42 x 1,78	<b>A 961 459 NU*</b>	1 Set
2	Cover cap w. laser + O-ring	<b>A 861 524 XX</b>	1 Set	8	O - ring Ø 36,2 x 2,62	<b>A 962 575 NU</b>	1 pcs
3	Battery case Battery 6V CR-P2	<b>F 961 038 NU*</b> <b>A 960 161 NU</b>	1 Set 1 pcs	9	Fixation set	<b>A 960 401 NU*</b>	1 Set
4	Thread pin set	<b>A 861 525 NU*</b>	1 Set	10	Flex. hose M10x1/450-G3/8	<b>A 860 794 NU</b>	1 pcs
5	Aerator M24x1 - 5ltr/min Aerator M24x1 - 3,8ltr/min	<b>B 961 153 AA</b> <b>A 861 584 XX</b>	1 pcs 1 pcs	11	Check valve G 3/8 cpl.	<b>B 960 844 NU</b>	2 Set
6	Solenoidvalve 6V G1/2	<b>F 961 050 NU*</b>	1 pcs	12	Pre-Mixer cpl.	<b>A 861 527 XX</b>	1 Set

\* Universal-Set (not all parts needed)