

## Technical Data

KLUDI FRESHLINE  
hand shower 3 S  
DN 15

Ref.:  
6790005-00

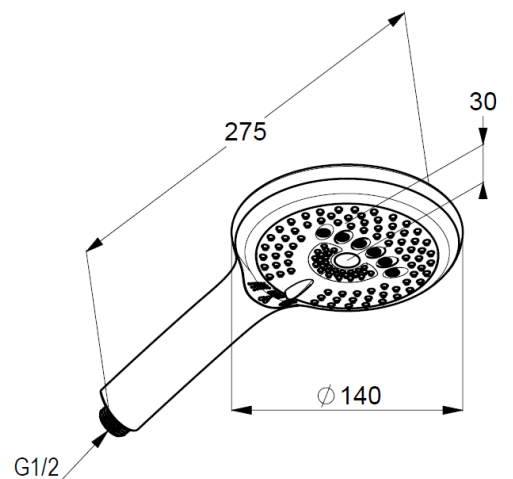
Finishes:  
05 chrome

Product description  
Manufacturer KLUDI GmbH & Co. KG  
Typ: KLUDI FRESHLINE  
hand shower 3 S DN 15  
Ref.: 6790005-00  
hand shower 3 S  
3 spray pattern  
Volumen/ booster/ smooth  
with cleaning system  
connection 1/2"  
sieve seal

Product picture



Dimensional drawing



Flow rate diagram

