

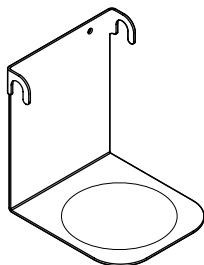
- Ⓓ Montageanleitung
- ⒼⒷ Mounting instructions
- Ⓕ Notice de montage
- ⒹⒻ Montage-instructie
- Ⓘ Istruzioni di montaggio
- Ⓔ Instrucciones de montaje
- ⒴ Instrukcja montażu
- ⒹⓀ Monteringsanvisning



Reinigung und Pflege | Care and cleaning | Nettoyage et entretien
Reiniging en onderhoud | Manutenzione e pulizia | Cuidado y limpieza
Czyszczenie i pielęgnacja | Rengøring og pleje

<https://www.hewi.com/de/service/downloads>

D	HEWI Support	0049 5691 82-300 (D) 00 800 4394 4394 (A, CH Freecall Festnetz)
GB	HEWI support	0044 1634 258200 (UK) 0049 5691 82-0 (international)
F	Support HEWI	0033 472 83 09 09 (F) 00 800 4394 4394 (BE, LU, CH appel gratuit, poste fixe)
NL	HEWI support	00 800 4394 4394 (BE, LU, NL gratis, vaste lijn)
I	Supporto HEWI	0049 5691 82-0
E	Soporte HEWI	0049 5691 82-0
PL	Wsparcie HEWI	0048 22 330 0052
DK	HEWI support	0049 5691 82-0

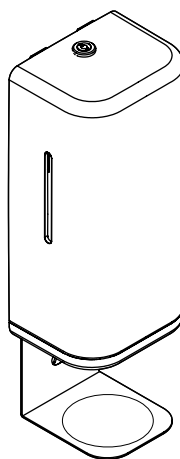
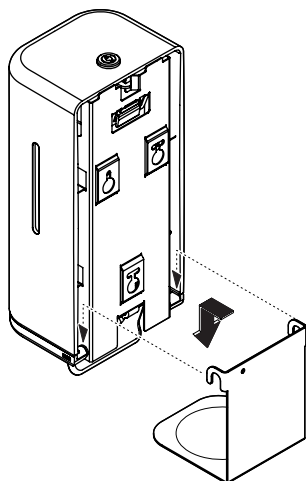


477.06.E0360

Kompatibel mit | Compatible with

477.06.101...
477.06.102...
477.06.103...
477.06.104...
477.06B101...
477.06B102...
477.06B103...
477.06B104...

Montage | Mounting | Montage | Montage | Montaggio | Montaje | Montaż | Montage



HEWI

www.hewi.com



GERMANY

HEWI Heinrich Wilke GmbH

Prof.-Bier-Straße 1-5

D-34442 Bad Arolsen

Phone: +49 5691 82-0

Fax: +49 5691 82-319

international@hewi.de



M477.40M

2024/07