

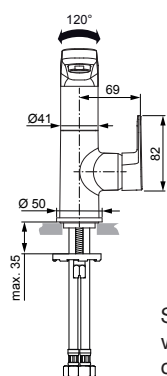
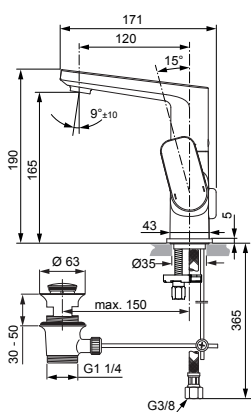
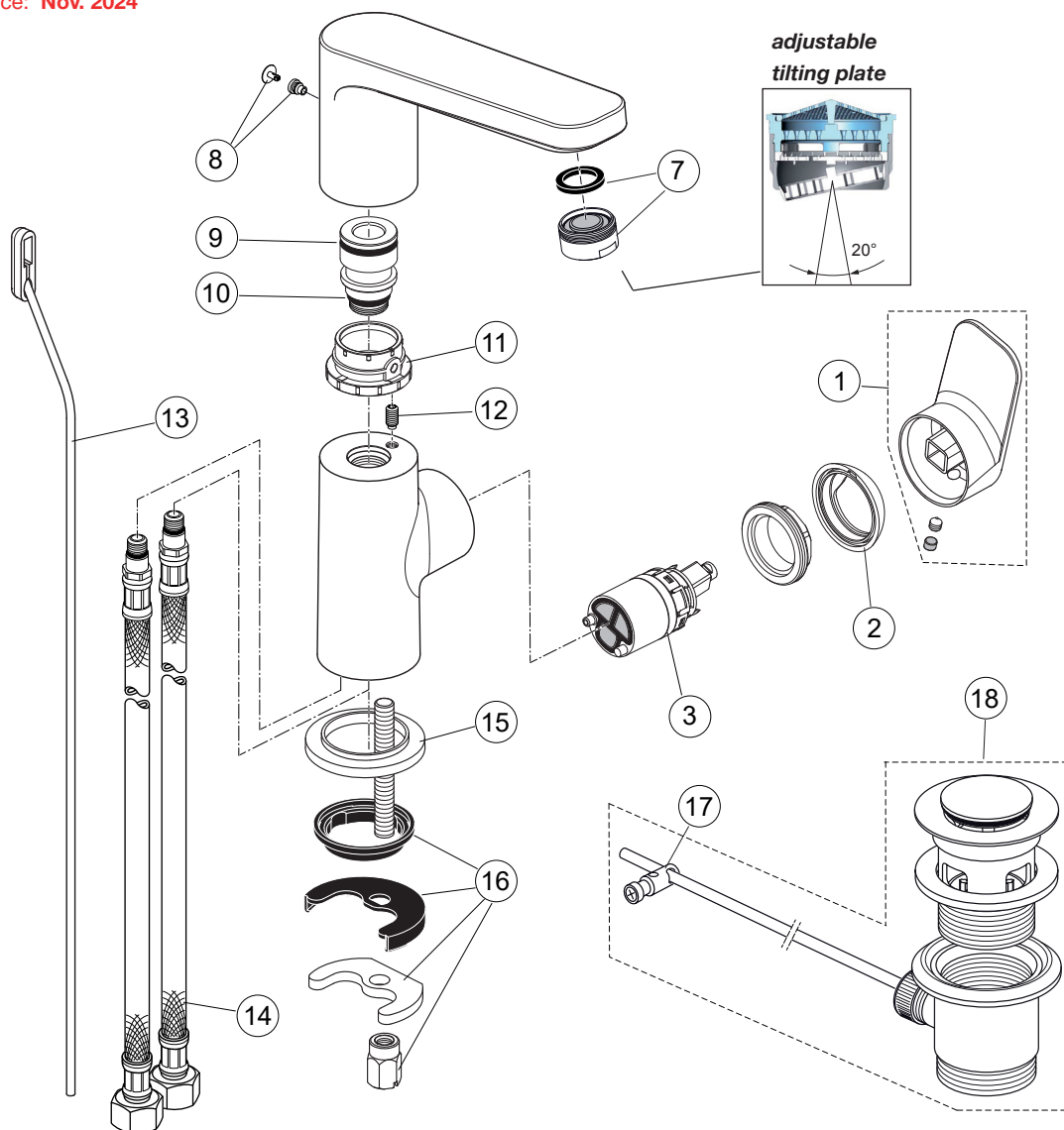


Tonic II

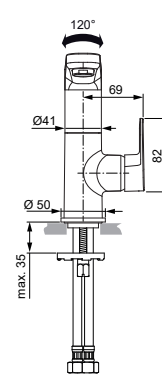
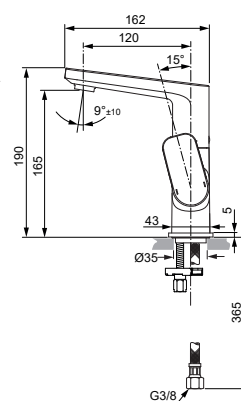
A6448.. A6476..

Ideal Standard

Produced since: **Nov. 2024**



SL basin mixer flex. hose without pop-up waste chrome **A6476AA**



SL basin mixer flex. hose with pop-up waste chrome **A6448AA**

Pos.	Description	Part-Number	Qty.	Pos.	Description	Part-Number	Qty.
1	Lever cpl. with Logo ISI	A 861 102 AA	1 Set	14	Flex. hose M8x1-G3/8-420	A 962 370 NU	1 pcs
2	Cover cap	F 960 975 AA	1 pcs	15	Escutcheon	B 960 712 AA	1 pcs
3	Cartridge Ø28	A 861 396 NU	1 pcs	16	Fixation kit	A 964 520 NU*	1 Set
7	Aerator M24x1 - 5ltr/min	F 960 876 AA	1 pcs	17	Bracket	A 961 172 NU	1 pcs
8	Cap with screw	A 962 149 AA*	1 Set	18	Pop-up waste complete	A 961 230 AA	1 Set
9	O-ring Ø 19 x 2,5	A 860 188 NU*	1 Set	*Universal set (not all parts needed)			
10	O-ring Ø 13 x 2,5	A 962 728 NU	1 pcs				
11	Slide bush	A 861 103 NU	1 pcs				
12	Thread pin M5x10 Din915	A 861 141 NU	1 Set				
13	Lift rod complete	A 960 654 AA	1 Set				

Tonic II

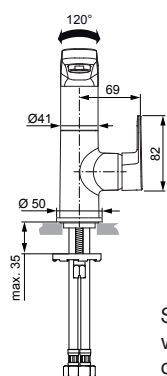
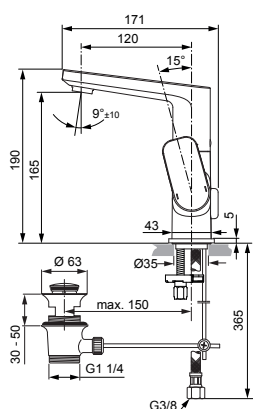
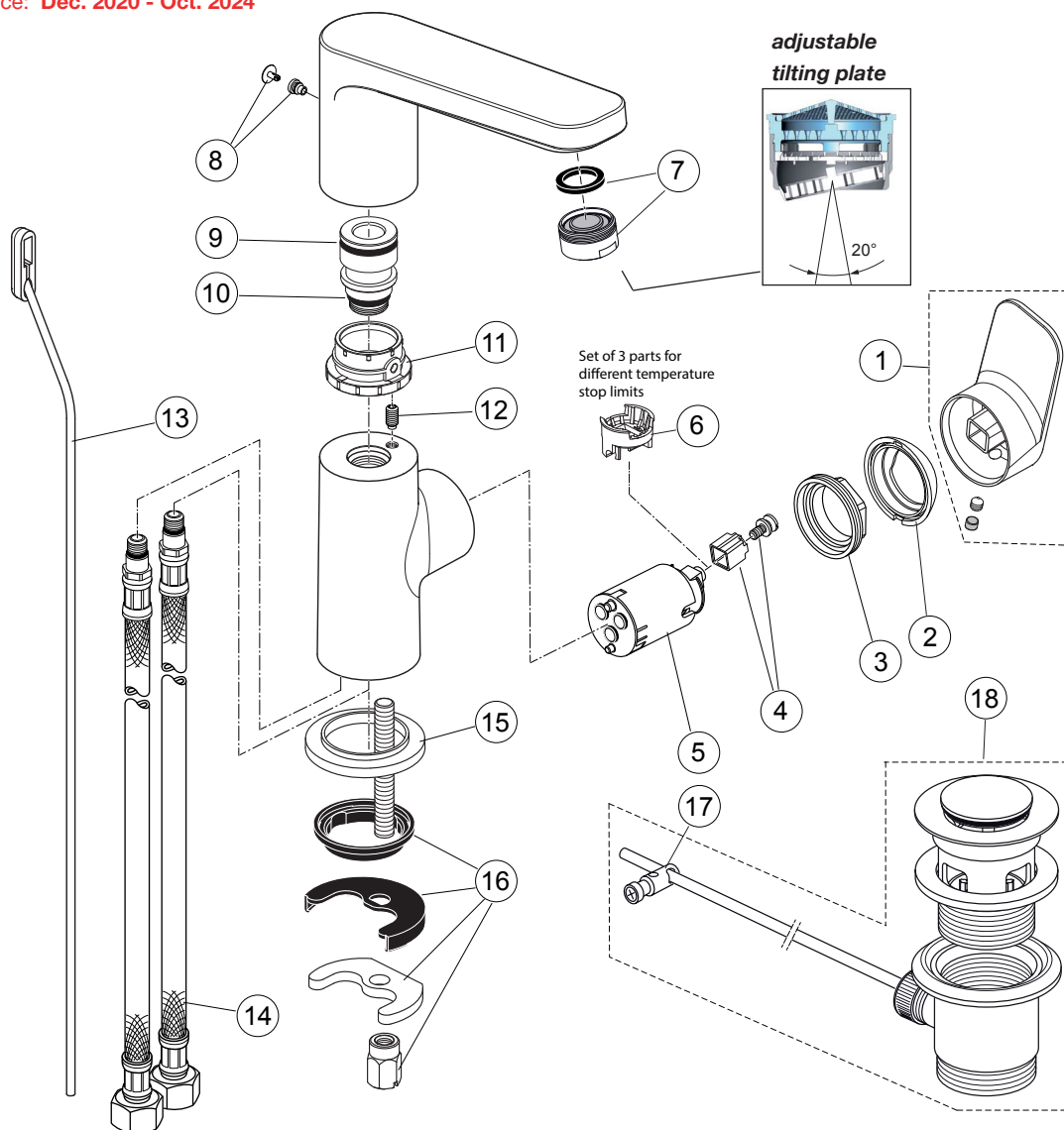


Tonic II

A6448.. A6476..

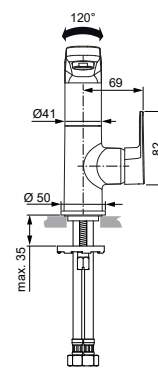
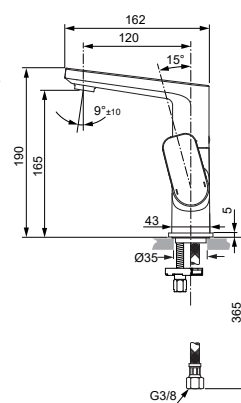
Ideal Standard

Produced since: Dec. 2020 - Oct. 2024



SL basin mixer flex. hose with pop-up waste chrome **A6448AA**

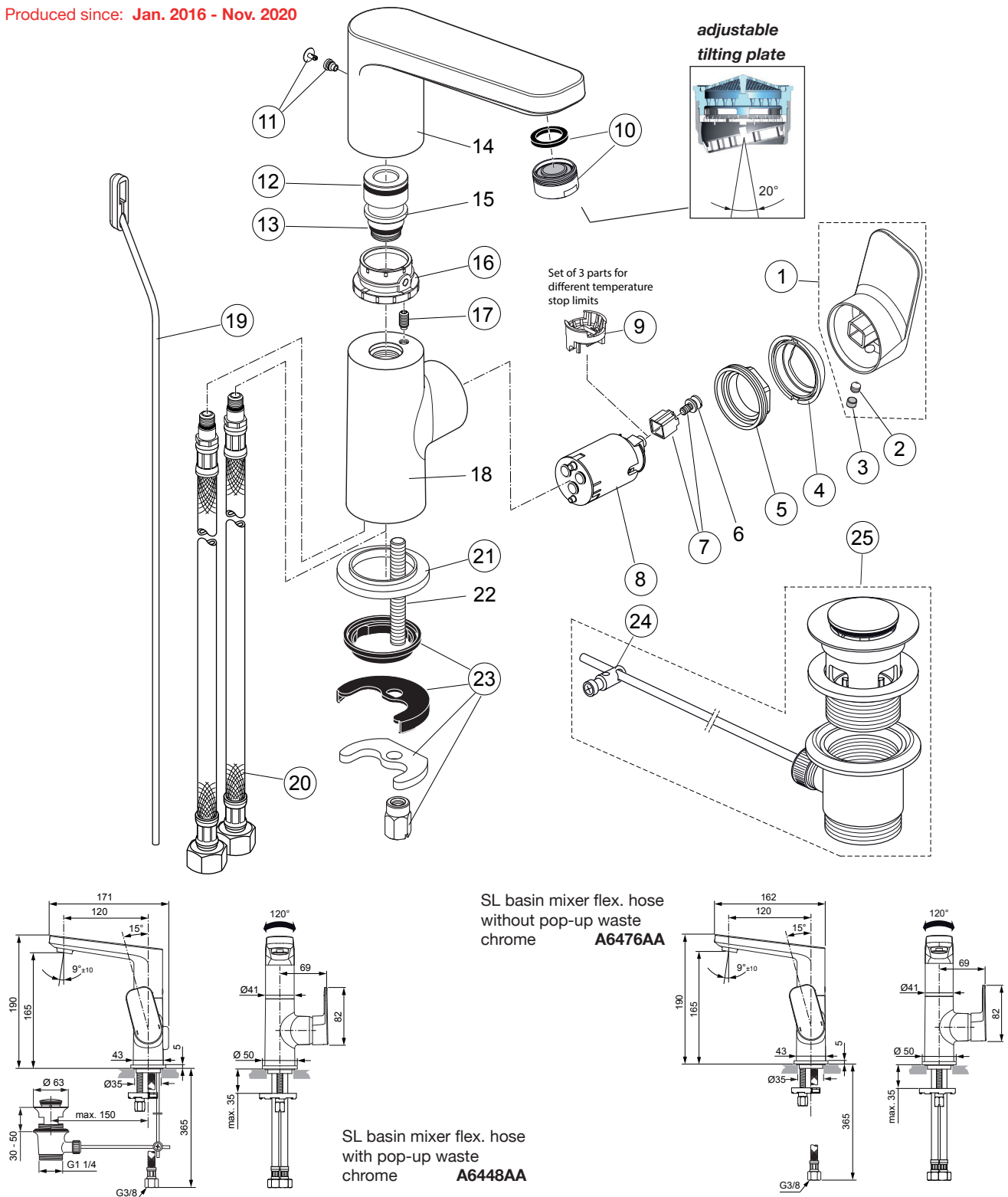
SL basin mixer flex. hose without pop-up waste chrome **A6476AA**



Pos.	Description	Part-Number	Qty.	Pos.	Description	Part-Number	Qty.
1	Lever cpl. with Logo ISI	A 861 102 AA	1 Set	11	Slide bush	A 861 103 NU	1 pcs
2	Cover cap	A 861 080 AA	1 pcs	12	Thread pin M5x10 Din915	A 861 141 NU	1 Set
3	Clamping nut M36 x 1	B 961 087 NU	1 pcs	13	Lift rod complete	A 960 654 AA	1 Set
4	Handle insert + screw	B 961 086 NU	1 Set	14	Flex. hose M8x1-G3/8-420	A 962 370 NU	1 pcs
5	Cartridge Kerox Ø28	F 960 855 NU	1 Set	15	Escutcheon	B 960 712 AA	1 pcs
6	Hot water limiter - 3 parts	B 961 088 NU	1 Set	16	Fixation kit	A 964 520 NU*	1 Set
7	Aerator M24x1 - 5ltr/min	F 960 876 AA	1 pcs	17	Bracket	A 961 172 NU	1 pcs
8	Cap with screw	A 962 149 AA*	1 Set	18	Pop-up waste complete	A 961 230 AA	1 Set
9	O-ring Ø 19 x 2,5	A 860 188 NU*	1 Set				
10	O-ring Ø 13 x 2,5	A 962 728 NU	1 pcs				

*Universal set (not all parts needed)

Produced since: Jan. 2016 - Nov. 2020



Pos.	Description	Part-Number	Qty.	Pos.	Description	Part-Number	Qty.
1	Lever cpl. with Logo ISI	A 861 102 AA	1 Set	14	Spout		
2	Thread pin M5x6 DIN914	A 860 603 NU	1 pcs	15	Nipple for spout		
3	Handle cap	A 963 751 NU	1 pcs	16	Slide bush	A 861 103 NU	1 pcs
4	Cover cap	A 861 080 AA	1 pcs	17	Thread pin M5x10 Din915	A 861 141 NU	1 Set
5	Clamping nut M36 x 1	B 961 087 NU	1 pcs	18	Body		
6	Handle srew M4			19	Lift rod complete	A 960 654 AA	1 Set
7	Handle insert + screw	B 961 086 NU	1 Set	20	Flex. hose M8x1-G3/8-420	A 962 370 NU	1 pcs
8	Cartridge Kerox Ø28 + Pos 6	F 960 855 NU	1 Set	21	Escutcheon	B 960 712 AA	1 pcs
9	Hot water limiter - 3 parts	B 961 088 NU	1 Set	22	Bolt M8x92		
10	Aerator M24x1 - 5ltr/min	F 960 876 AA	1 pcs	23	Fixation kit	A 964 520 NU*	1 Set
11	Cap with screw	A 962 149 AA*	1 Set	24	Bracket	A 961 172 NU	1 pcs
12	O-ring Ø 19 x 2,5	A 860 188 NU*	1 Set	25	Pop-up waste complete	A 961 230 AA	1 Set
13	O-ring Ø 13 x 2,5	A 962 728 NU	1 pcs				

*Universal set (not all parts needed)