

## Technische Daten/ Technical Data

### KLUDI ZENTA SL

concealed thermostatic bath-shower mixer  
trim set with functional unit

Ref.: 388100545

Finishes:  
05 chrome

#### Product description

Manufacturer KLUDI GmbH & Co. KG

Typ: KLUDI ZENTA SL

concealed thermostatic bath-shower mixer  
trim set with functional unit

Ref.: 388100545

concealed thermostatic bath-shower mixer  
trim set without pre-installation set  
pre installation set KLUDI SLIM.BOX Ref.: 88022  
wall mounted

trim set with functional unit

with ceramic shut-off valve 90°

temperature handle with hot water safety at 40°C

optional temperature limiter at 43°C included

flow rate bath at 3 bar 28 l/min.

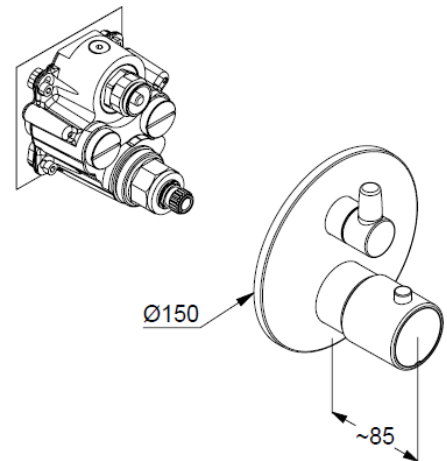
flow rate shower at 3 bar 24 l/min.

with integrated back flow preventer

### Produktabbildung/ Product picture



### Maßzeichnung/ Dimensional drawing



### Durchfluss/ Flow rate

