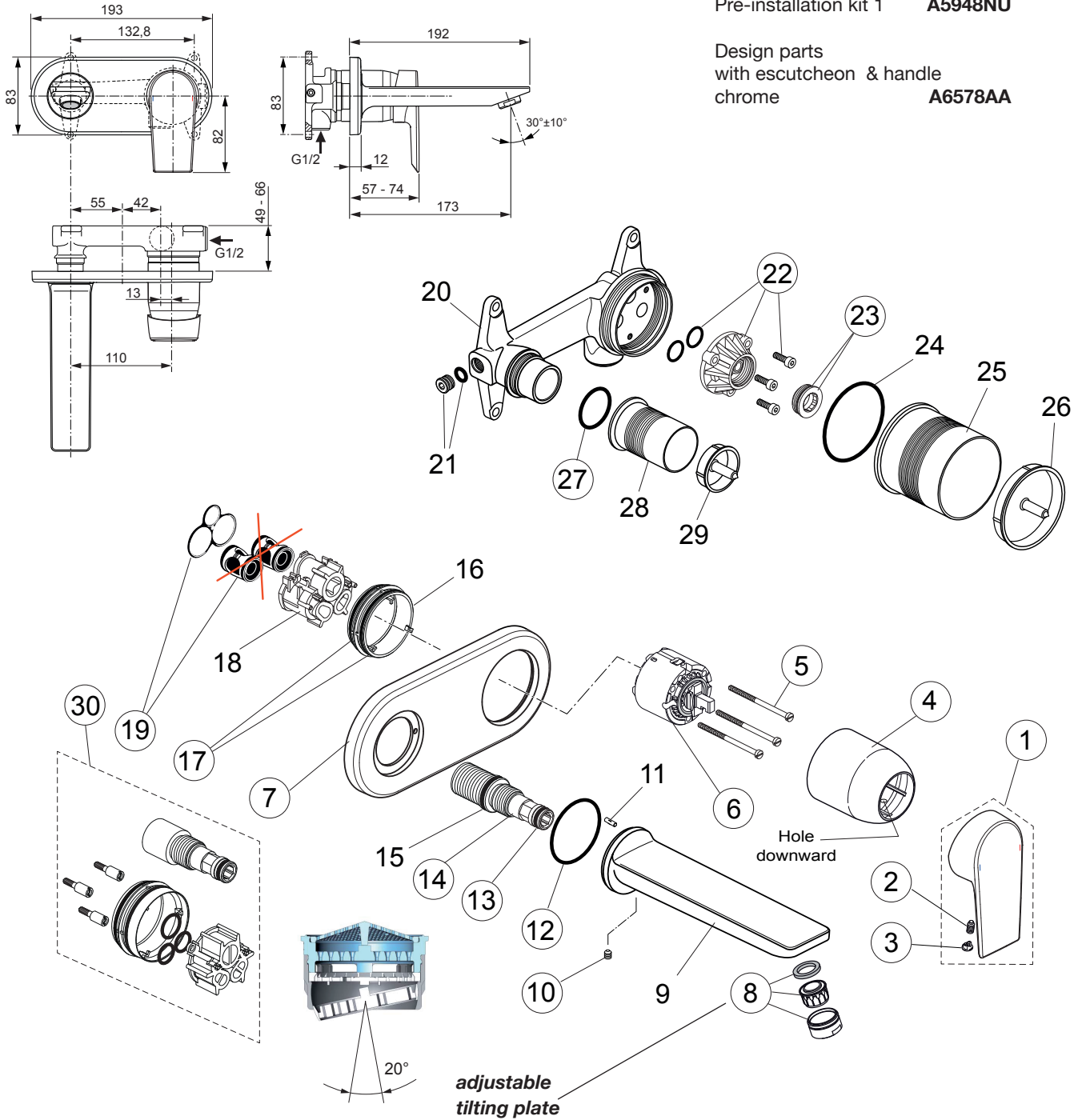


Produced since: **Nov. 2015**

Pre-installation kit 1 **A5948NU**

Design parts  
with escutcheon & handle  
chrome **A6578AA**



Pos.	Description	Part-Number	Qty.	Pos.	Description	Part-Number	Qty.
1	Lever cpl. with Logo ISI	<b>A 861 020 AA</b>	1 Set	17	O - ring Ø 47,3 x 1,78	<b>A 963 526 NU</b>	2 pcs
2	Thread pin M5x6 DIN914	<b>A 860 603 NU</b>	1 pcs	18	Plastic insert		
3	Handle cap	<b>B 960 473 AA</b>	1 pcs	19	Low noise insert complete	<b>A 963 524 NU</b>	1 Set
4	Cover cap	<b>A 960 893 AA*</b>	1 pcs	20	Body (built-in)		
5	Cylindrical screw M4x69	<b>A 963 783 NU</b>	3 pcs	21	Superior block M10x1		
6	Cartridge	<b>A 960 500 NU*</b>	1 Set	22	Flushing device complete	<b>F 960 881 NU</b>	1 Set
7	Escutcheon	<b>F 960 981 AA</b>	1 pcs	23	Plug with o-ring	<b>A 963 548 NU</b>	1 Set
8	Aerator M24x1 - 5ltr/min	<b>F 960 876 AA</b>	1 pcs	24	O - ring Ø 54 x 2,5		
9	Spout 173mm projection			25	Plaster guard for cartridge		
10	Thread pin M5x5	<b>A 962 625 NU</b>	1 pcs	26	Cover for pos. 25		
11	Groove pin 3x10 DIN1474			27	O - ring Ø 26 x 2,5	<b>A 860 845 NU</b>	1 pcs
12	O - ring Ø 41 x 1,78	<b>A 961 863 NU</b>	1 pcs	28	Plaster guard for spout		
13	O - ring Ø 10 x 2	<b>A 963 495 NU</b>	2 pcs	29	Cover for pos. 28		
14	Connector nipple cpl.	<b>A 963 495 NU</b>	1 Set	30	Extension kit 20mm longer	<b>F 960 866 NU</b>	1 Set
15	O - ring Ø 19 x 2,5						
16	Plastic ring						

\* Universal-Set (not all parts needed)