

# SET LAUFEN PRO

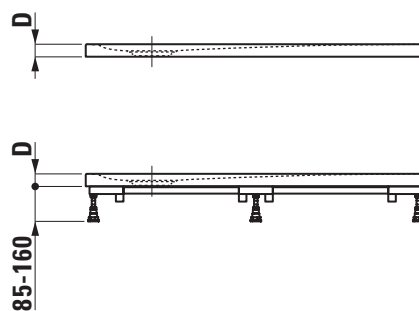
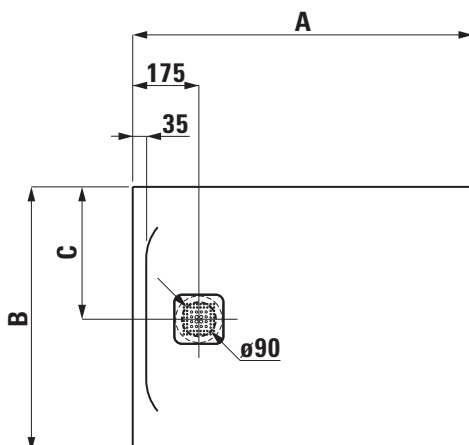
## Shower tray MARBOND rectangular 21695.6 21695.7



### TECHNICAL DATA

Order no.	21695.6 / 900 mm 21695.7 / 1000 mm	Mounting acc. excl.	Installation frame, adjustable height between 85-160 mm, order no. 29844.1
Certified to	EN 14257, EN 251		Antinoise set for the frame installation to fulfil DIN 4109 and SIA 181, order no. 29898.8
Dimensions	see table below		3-D sealing tape:
Depth	see table below		Sealing set 3,0 m, for sealed sides $\leq 3$ m, includes 1 sealing tape (width 120 mm, length 3 m), 3-D inside corner for sealing (1 piece) and 2x 3 m antinoise tape (width 30 mm), order no. 29564.2
Specification	Rectangular shower tray made of Marbond (Gel Coat surface matt, with structure) with Antislip, Class C (DIN 51097) Removable siphon cover, stainless steel For floor-even installation or on floor installation		Additional sealing set 2,0 m, for sealed sides $\geq 3$ m, order no. 29564.7
Weight	21695.6 – 21,0 kg / 21695.7 – 26,0 kg		3-D sealing corners:
Mounting acc. excl.	Mounting box incl. waste, $\varnothing 90$ mm without cover (pre-assembled), water drain connection possible left or right hand side: Type DN 50, height 100 mm, order no. 29004.3 Type DN 40, height 75 mm, order no. 29003.3  Waste DN 50, $\varnothing 90$ mm without cover, order no. 29512.7 Mounting box, water drain connection possible left or right hand side: Type DN 50, height 100 mm, order no. 29004.1 Type DN 40, height 75 mm, order no. 29003.1	Colours	Inside corner, 1 piece, order no. 29564.3 Outside corner for floor-even installation, set 3 parts, order no. 29564.4 Dispersion sealing composition, tube 500 ml, order no. 29564.5 Noise control band, order no. 29555.1
			000 – White matt structured, 077 – Light grey matt structured, 078 – Anthracite matt structured, 079 – Concrete matt structured, 080 – Black matt structured

### TECHNICAL DRAWINGS / S 1 : 20



Order no.	A / mm	B / mm	C / mm	D / mm
21695.6	900	700	350	33
21695.7	1000	700	350	33