

Product: KLUDI two position diverter, pre- installation DN 15

Ref.: 29747

Product description

two position diverter DN 15
 pre-installation set
 in-wall installation
 flow rate 37,5 l/min at 3 bar
 diverter:
 2 connectors G 1/2 inch outlets
 1 connector G 1/2 inch supply connection
 Shut off possible
 protection sleeve
 reducing socket 3/4 x 1/2 inch

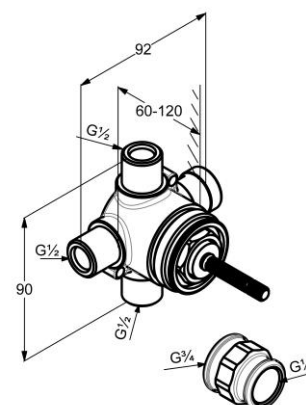
Advertisement

two position diverter, manufacturer KLUDI GmbH & Co. KG
 KLUDI item no. 29747
 type: two position diverter, concealed valve DN 15 / PN 10, pre-installation set, material brass, flow rate 37,5 l/min at 3 bar, connection: once 1/2 inch supply connection, twice 1/2 inch outlet connection, with protection sleeve, with reducing socket 3/4 x 1/2 inch
 dimensions: height: 90 mm, width: 90 mm, installation depth: 60 - 120 mm

Product picture



Dimensional drawing



Flow rate diagram

