

## Technische Daten/ Technical Data

KLUDI MEDI CARE  
basin mixer  
DN 15

Ref.:  
341150524

Finishes:  
05 chrome

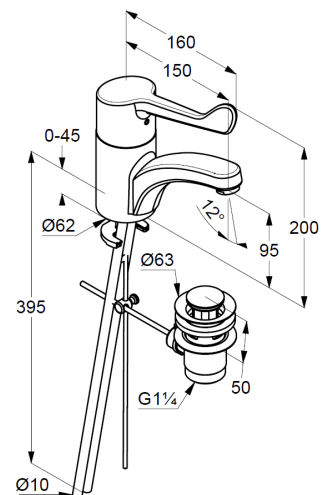
Product description  
Manufacturer KLUDI GmbH & Co. KG  
Typ: KLUDI MEDI CARE  
basin mixer  
Ref.: 341150524

basin mixer  
single lever mixer  
1-hole mounted  
solid clinic lever, metal  
adjustable hot water limitation  
aerator M24 PCA laminar  
ceramic cartridge  
flow rate at 3 bar 7,6 l/min.  
fixed spout  
copper hoses  $\varnothing$  10mm  
rapid installation set  
pop up waste set G1¼ metal

### Produktabbildung/ Product picture



### Maßzeichnung/ Dimensional drawing



### Durchfluss/ Flow rate

