

Technische Daten/ Technical Data

KLUDI BALANCE

electronic controlled basin mixer
DN 15

Ref.:
5220091

Finishes:
91 white/chrome

Product description

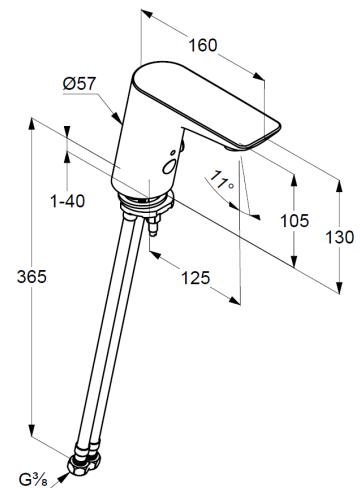
Manufacturer KLUDI GmbH & Co. KG
Typ: KLUDI BALANCE
electronic controlled basin mixer
Ref.: 5220091

basin mixer
electronic controlled
electric power supply via 230 V main adapter
1-hole mounted
mixing shaft with temperature handle
optical object registration
aerator M24 PCA
protected against back flow
flow rate at 3 bar 5 l/min.
flexible hoses G $\frac{3}{8}$ DVGW approved
with integrated back flow preventer
rapid installation set
activation optoelectronic
maximum water run-time 2 minutes
safety class IP65

Produktabbildung/ Product picture



Maßzeichnung/ Dimensional drawing



Durchfluss/ Flow rate

