

Technische Daten/ Technical Data

KLUDI ZENTA SL

electronic controlled basin mixer
trim set
190 mm

Ref.: 3850105

Finishes:
05 chrome

Product description

Manufacturer KLUDI GmbH & Co. KG

Typ: KLUDI ZENTA SL

electronic controlled basin mixer

Ref.: 3850105

electronic controlled basin mixer

6V battery or 230V main adapter

trim set without pre-installation set

pre installation set KLUDI Art. Nr. 38001 and 38002

mixing shaft with temperature handle

optical object registration

aerator, S-Pointer M24 PCA

flow rate at 3 bar 5 l/min.

activation optoelectrical

maximum water run-time ca. 2 minutes

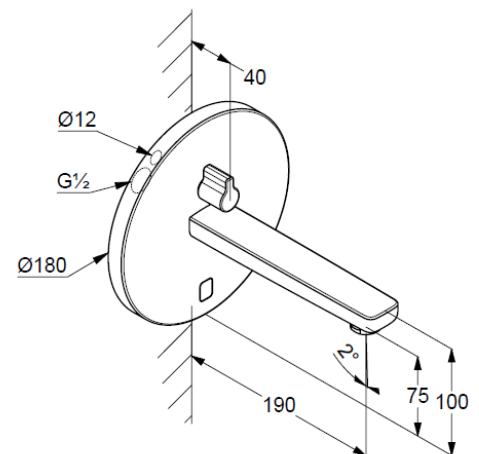
safety class IP65

hygienic flushing

Produktabbildung/ Product picture



Maßzeichnung/ Dimensional drawing



Durchfluss/ Flow rate

