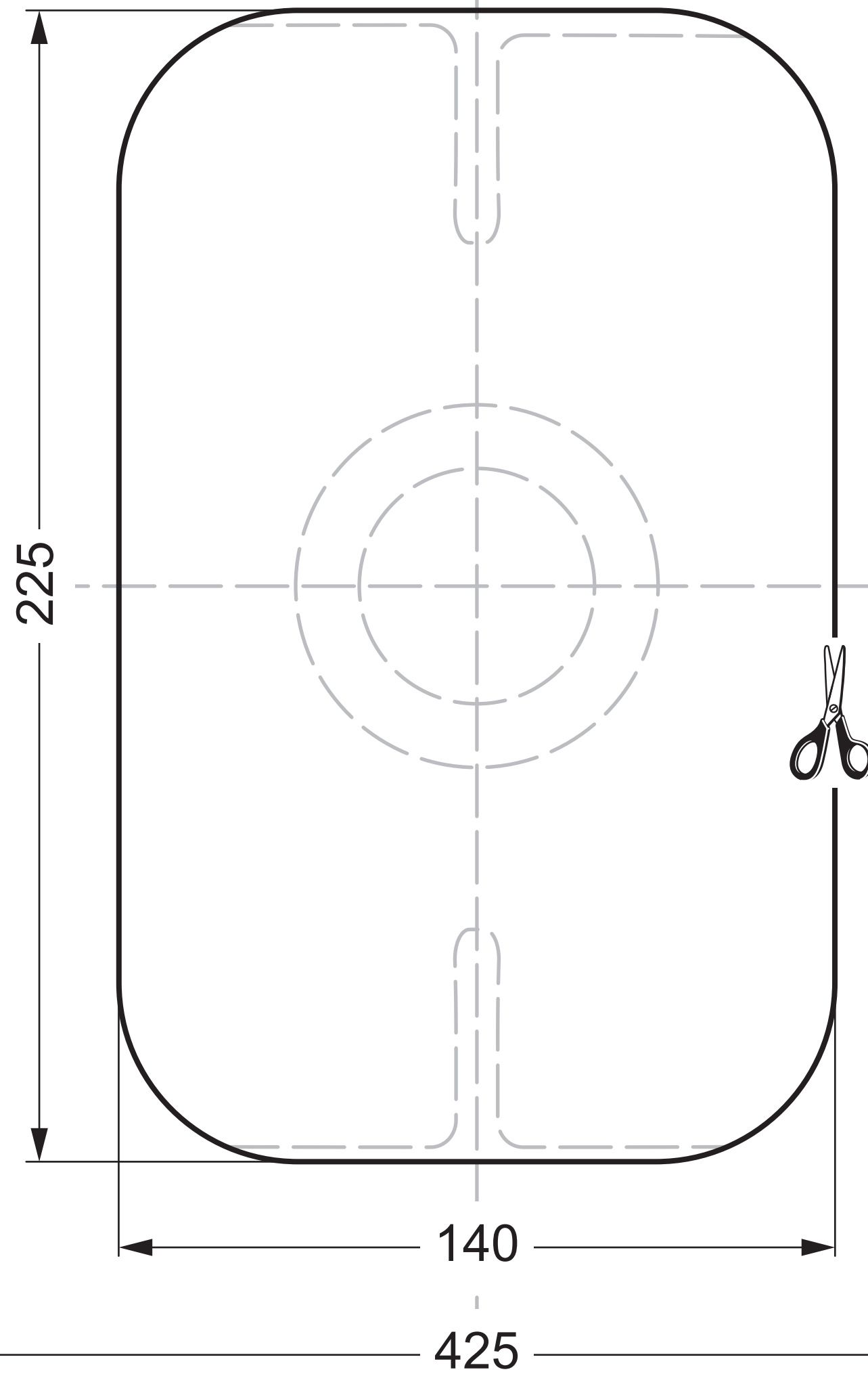
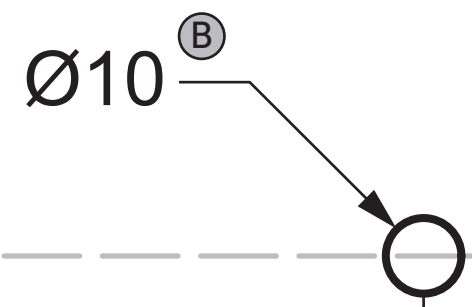
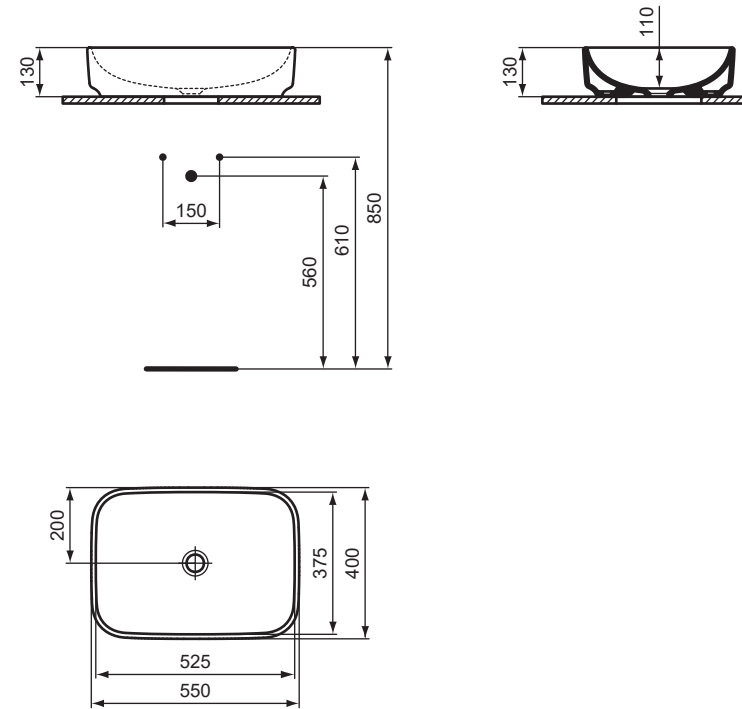
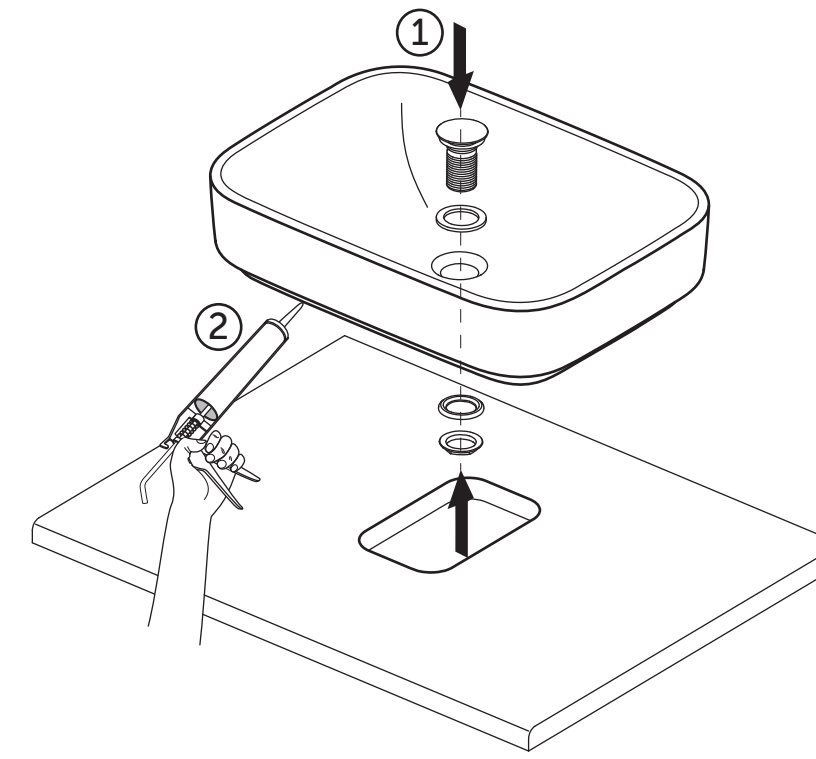




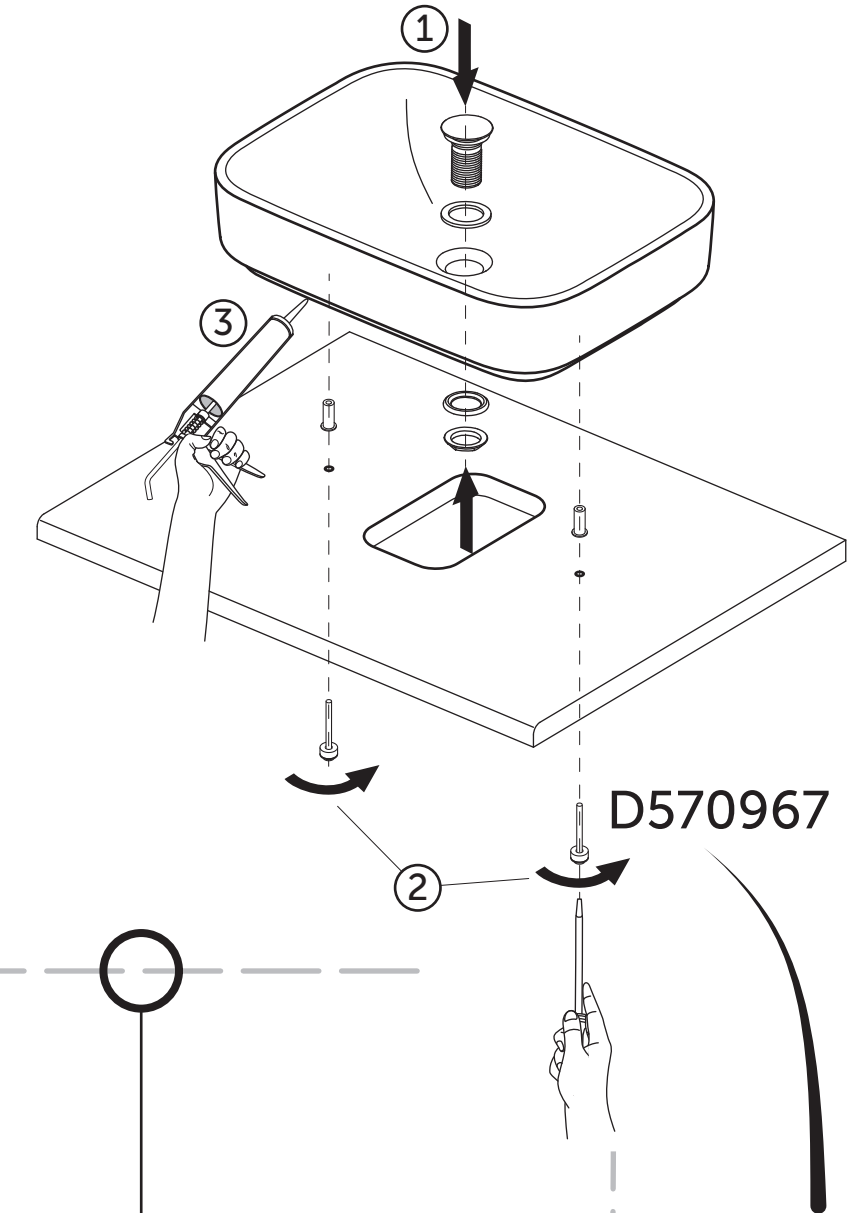
Ideal Standard



A Installation without fixation:



B Installation with fixation (not supplied):



D570967

| A | B | C | D | E | F |
|-----|-----|-----|-----|-----|-----|
| | | | | | |
| x 2 | x 2 | x 2 | x 2 | x 2 | x 2 |

| H, mm | 6 - 8 | 9 - 14 | 15 - 20 | 21 - 24 | 25 - 29 | 30 - 35 |
|-------|-------|--------|---------|---------|---------|---------|
| | | | | | | |
| | A C E | A C D | A C | B E | B D | B C |