

## Technical Data

KLUDI  
three way diverter  
pre-installation set DN 15

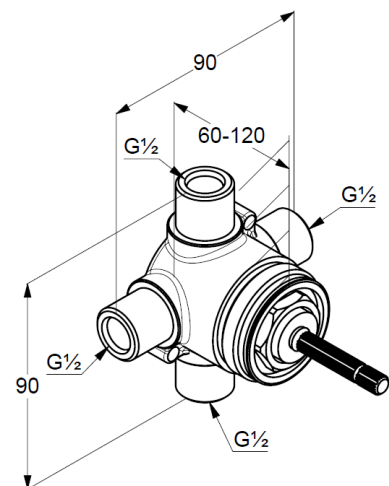
Ref:  
29757

Product description  
Manufacturer KLUDI GmbH & Co. KG  
Typ: KLUDI  
Three way diverter  
pre-installation set  
Ref: 29757  
pre-installation set  
three way diverter  
1 x Inlet, 3 outlet  
three outlet (top, / right / left) 1/2 inch  
in -wall-installation  
with protection cap  
without trim set  
diverter as rotary valve  
without shutt-off-valve  
flow rate at 3 bar= 40 l/ min.  
connection 1/2" (below)  
variable installation depth  
simultaneous use of 2 function

Product picture



Dimensional drawing



Flow rate diagram

