

Technische Daten/ Technical Data

KLUDI PURE&EASY, Care
single lever basin mixer 70
DN 15

Ref.:
372870565

Finishes:
05 chrome

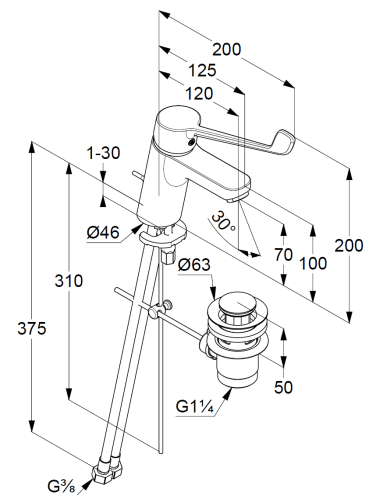
Product description
Manufacturer KLUDI GmbH & Co. KG
Typ: KLUDI PURE&EASY, Care
single lever basin mixer 70
Ref.: 372870565

basin mixer
single lever mixer
1-hole mounted
solid clinic lever, metal
aerator M24, PCA
ceramic cartridge with hot water safety device
flow rate at 3 bar 5 l/min.
flexible hoses G $\frac{3}{8}$ DVGW approved
rapid installation set
pop up waste G1 $\frac{1}{4}$ metal

Produktabbildung/ Product picture



Maßzeichnung/ Dimensional drawing



Durchfluss/ Flow rate

