

**US** Installation instructions



---

Reinigung und Pflege | Care and cleaning | Nettoyage et entretien  
Reiniging en onderhoud | Manutenzione e pulizia | Cuidado y limpieza  
Czyszczenie i pielęgnacja | Rengøring og pleje

**<https://www.hewi.com/de/service/downloads>**

---

## **Contents**

User information	3
Product information	5
Mounting	8
Demounting	14
Brake adjustment	15

---

**HEWI support**

+1 (917) 734-4112

## Intended purpose

The HEWI hinged seat is designed for use in bathrooms, especially showers. It provides the option to sit down while taking a shower for persons with or without physical disabilities.

## Exclusion of liability

HEWI accepts no liability whatsoever for damage to persons or property that occurs or has occurred as a result of improper mounting or maintenance, particularly if the safety instructions and other points to note listed are not or have not been observed in full. HEWI accepts no liability whatsoever for damage occurring from incorrect cleaning.

## Disposal

Disposal of the product and packaging is subject to the relevant national regulations.

## Safety instructions

These instructions are intended for qualified skilled personnel and the user of the installed product. Following installation, the instructions must be made available to the user.

- Follow with the installation instructions and instructions for use.
- In case of questions, problems, uncertainties or if damage occurs, contact the HEWI support service.
- Ensure that the product is installed, maintained and repaired by qualified, skilled personnel only.
- Check the product for damage on acceptance. Report defects immediately.
- Install/use the product only:
  - in accordance with its intended purpose
  - in its original condition without modifications
  - in perfect condition
- Use original spare parts only.
- Only use the HEWI fixing materials included.
- Only use in closed rooms.

## User information

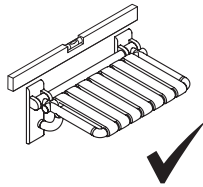
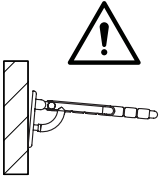
### NOTICE

**Risk of material damage** - The surface of the seat is sensitive and can suffer scratching caused by dust or dirt on or near the installation site. Keep the seat in its packaging whenever possible. Once the seat is installed, put the protective wrap back around it until all construction work is done and the seat is ready to be used.



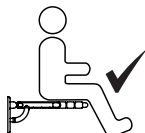
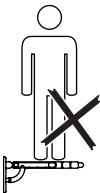
### CAUTION!

**Risk of injury** - Improperly mounted lift-up seats (loose or at an angle) may lead to injuries due to slipping or falling. Make sure lift-up seats are installed securely and in a horizontal position.



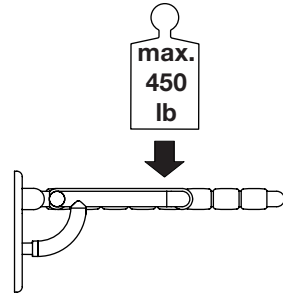
### CAUTION!

Never step or jump on the seat. Any improper use, e.g. for climbing, stepping on, or exercise, may lead to injuries due to slipping or falling.



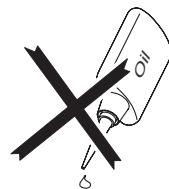
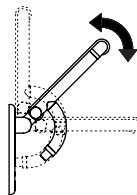
### CAUTION!

Exceeding the maximum load of the lift-up seat may lead to injuries due to falling. Observe maximum load. Ensure that the wall structure and fixings are reinforced as required to permanently withstand the expected load.

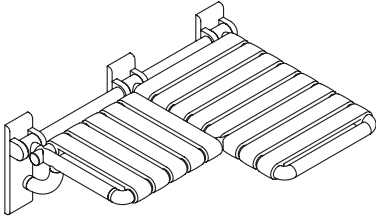


### CAUTION!

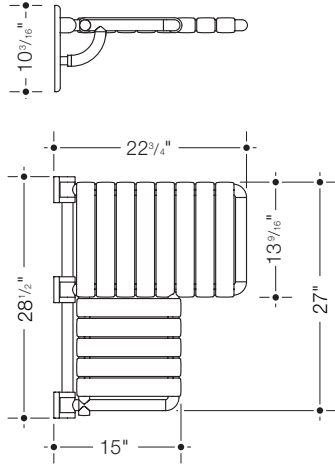
**Risk of injury** - Failing or improperly set brakes may lead to injuries. Have the brakes checked and readjusted as required **at least once a month**. Do not use any kind of lubricant on the joints or brake discs.



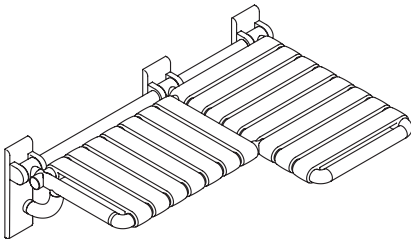
801.51US320R  
801.51US320L



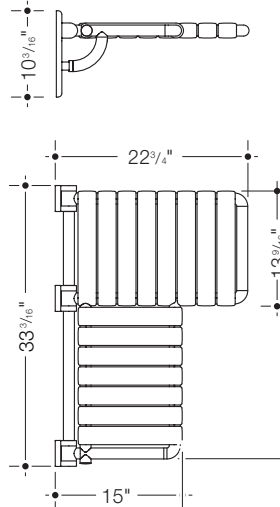
right-sided version



801.51US330L  
801.51US330R

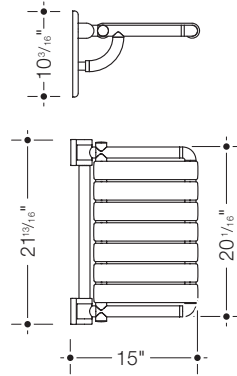
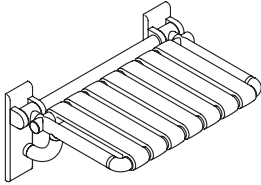


right-sided version

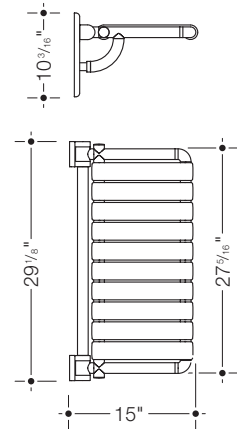
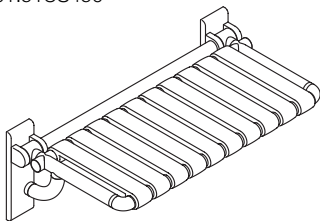


**Product information**

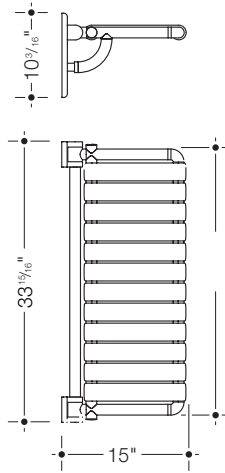
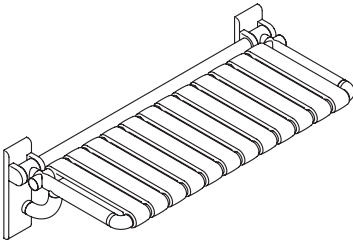
801.51US440



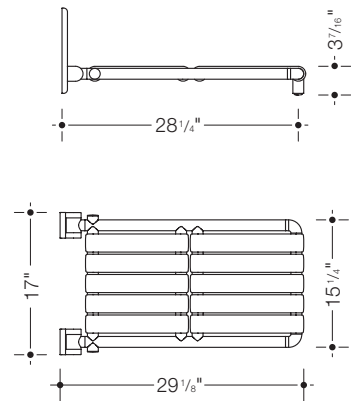
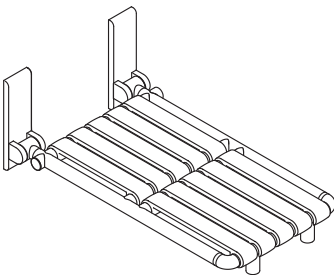
801.51US450



801.51US460

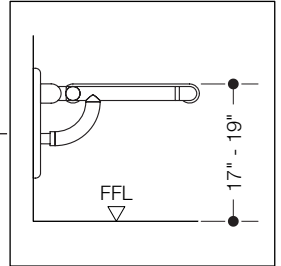
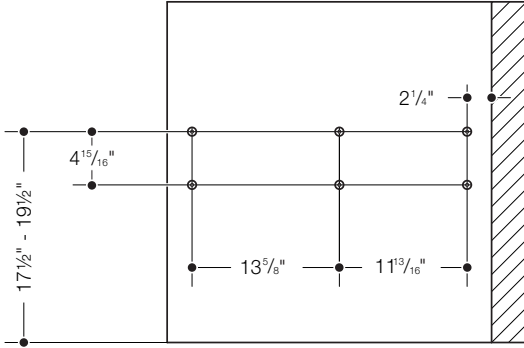


801.US51520

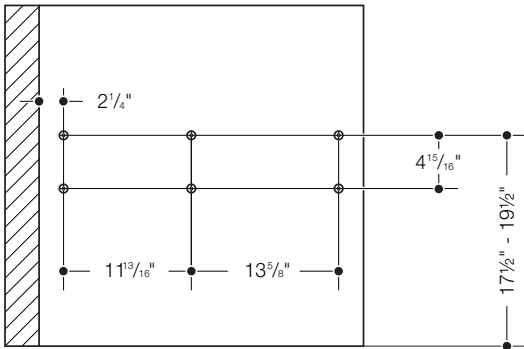


Mounting

801.51US320R

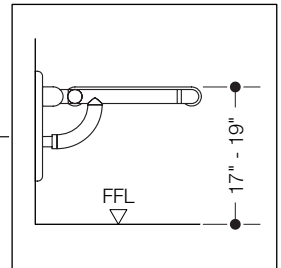
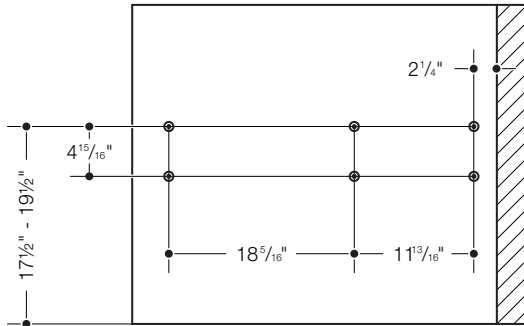


801.51US320L

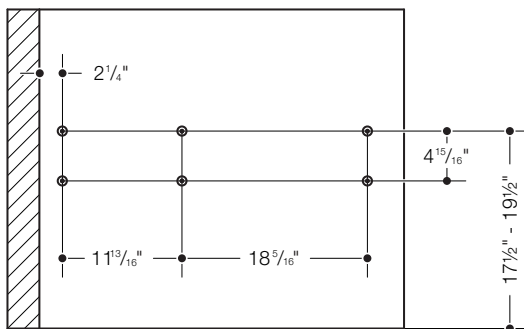




801.51US330R

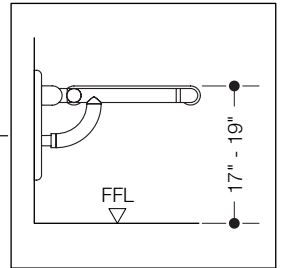
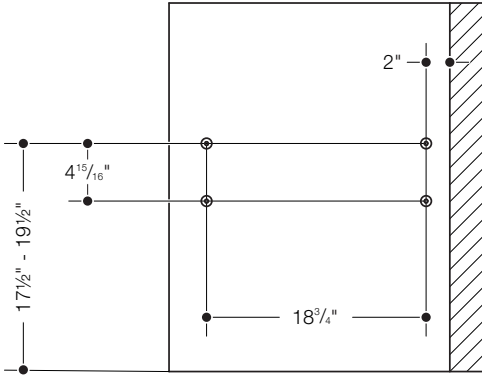


801.51US330L

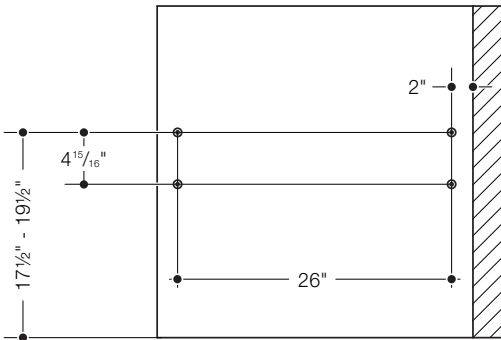


**Mounting**

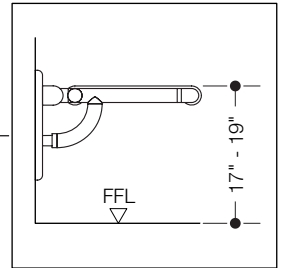
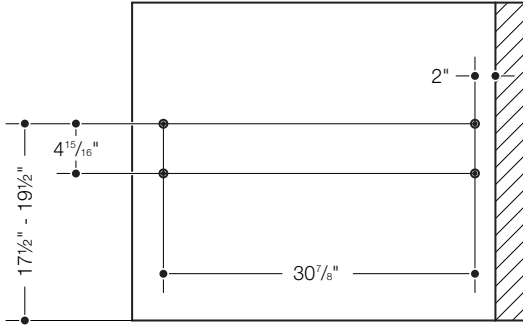
801.51US440



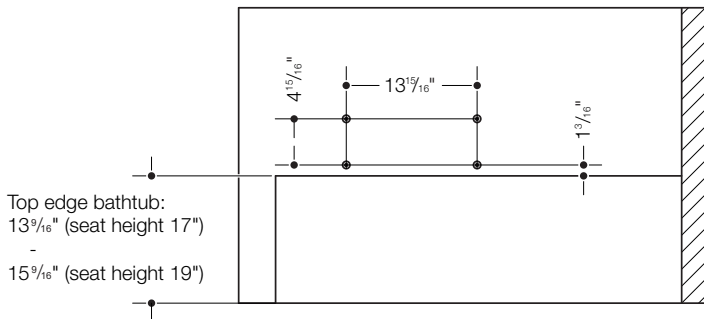
801.51US450



801.51US460

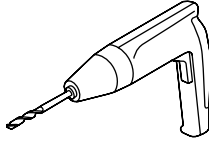
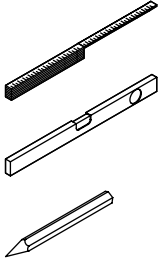


801.51US520



# Mounting

## Tools required



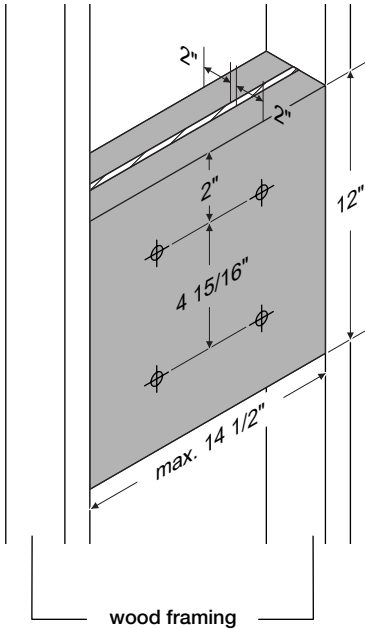
Ø 5/8"



2,5 mm  
4 mm  
6 mm

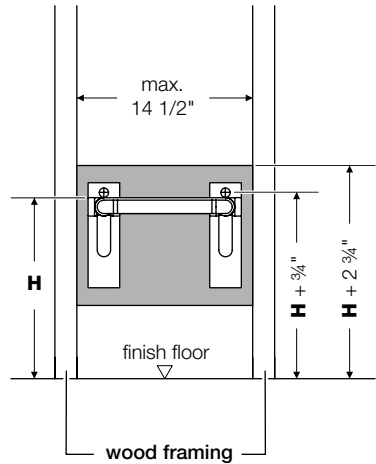


This product uses metric socket screws. If using imperial hex keys, please choose an appropriate size.

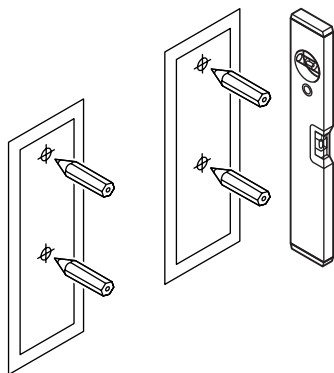


## Wood blocking

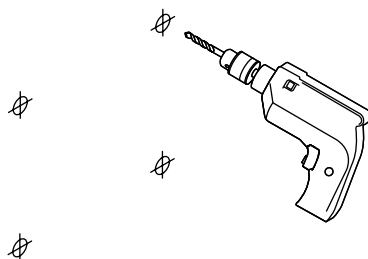
**NOTE:** Wood-frame construction walls must be appropriately backed using wood blocking.



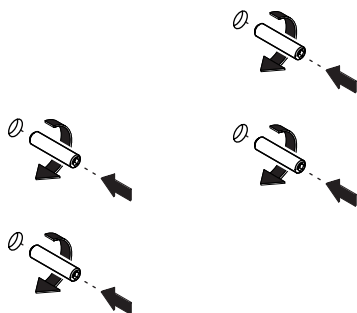
1



2

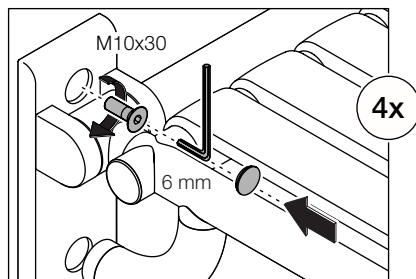
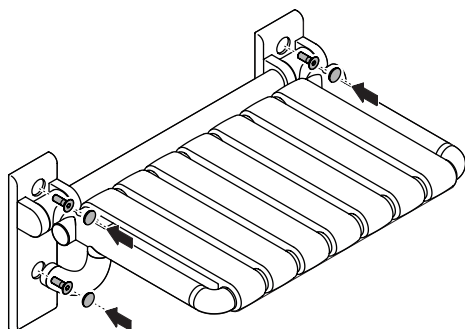


3

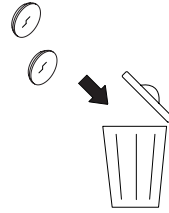
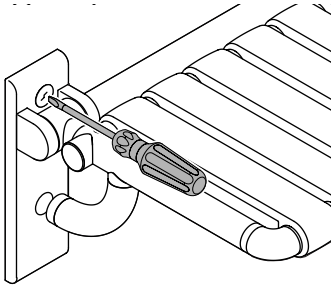


Screw inserts must be flush with finished wall.

4

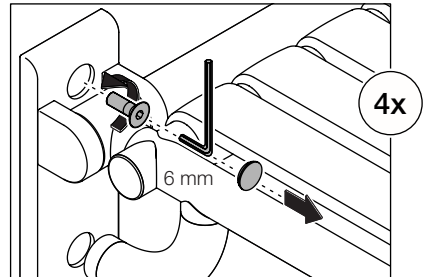
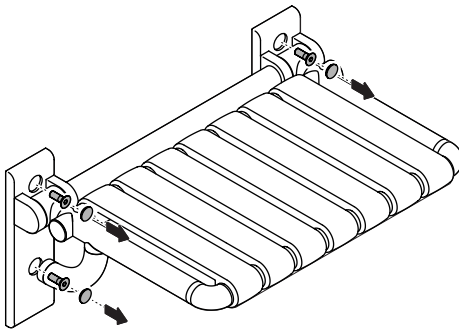


## Demounting



**To remove**  
Pierce caps in the center and prise off.

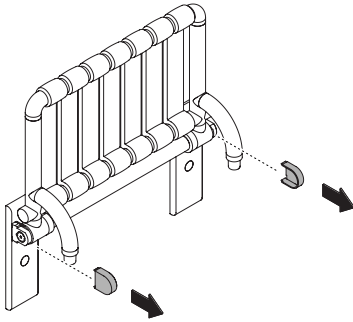
1



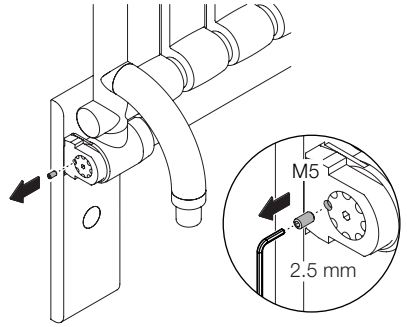
2

**At least once a month**

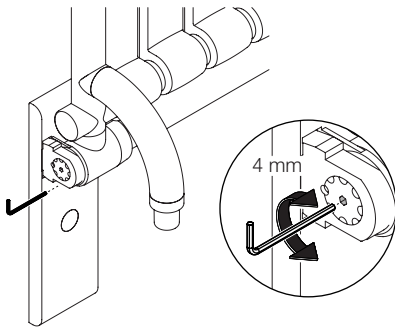
**1**



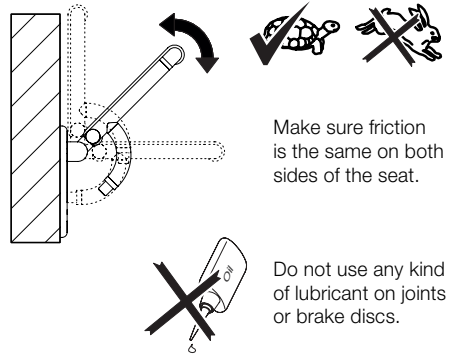
**2**



**3**



Clockwise: increase braking force  
Counter-clockwise: reduce braking force

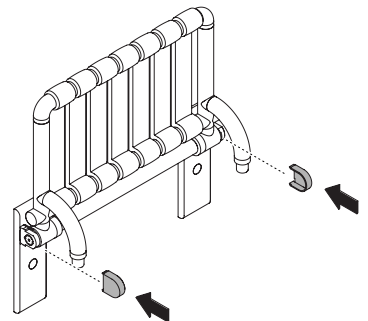


**4**



Setscrew must be seated flush.

**5**



# HEWI

[www.hewi.com](http://www.hewi.com)



GERMANY

HEWI Heinrich Wilke GmbH

Prof.-Bier-Straße 1-5

D-34442 Bad Arolsen

Phone: +49 5691 82-0

Fax: +49 5691 82-319

[international@hewi.de](mailto:international@hewi.de)



M8010.02US

2023/07