

Technische Daten/ Technical Data

KLUDI BALANCE

electronic controlled basin mixer
DN 15

Ref.:
5220205

Finishes:
05 chrome

Product description

Manufacturer KLUDI GmbH & Co. KG

Typ: KLUDI BALANCE

electronic controlled basin mixer

Ref.: 5220205

electronic controlled basin mixer

for open hot water heaters

electric power supply via 230 V main adapter

1-hole mounted

optical object registration

aerator M24

protected against back flow

flow rate at 3 bar 5 l/min.

flexible hoses G $\frac{3}{8}$ DVGW approved

rapid installation set

activation optoelectrical

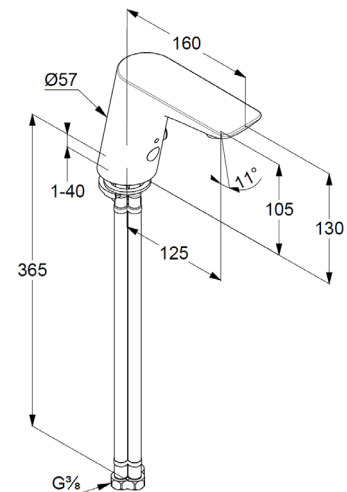
maximum water run-time 2 minutes

safety class IP65

Produktabbildung/ Product picture



Maßzeichnung/ Dimensional drawing



Durchfluss/ Flow rate

