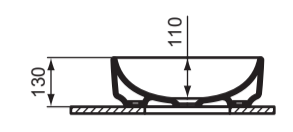
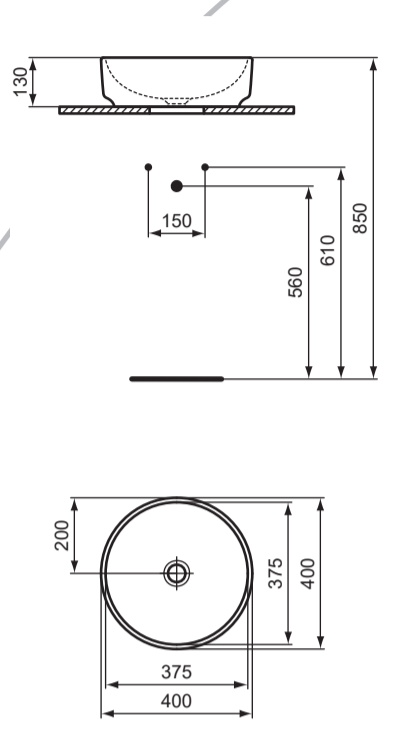
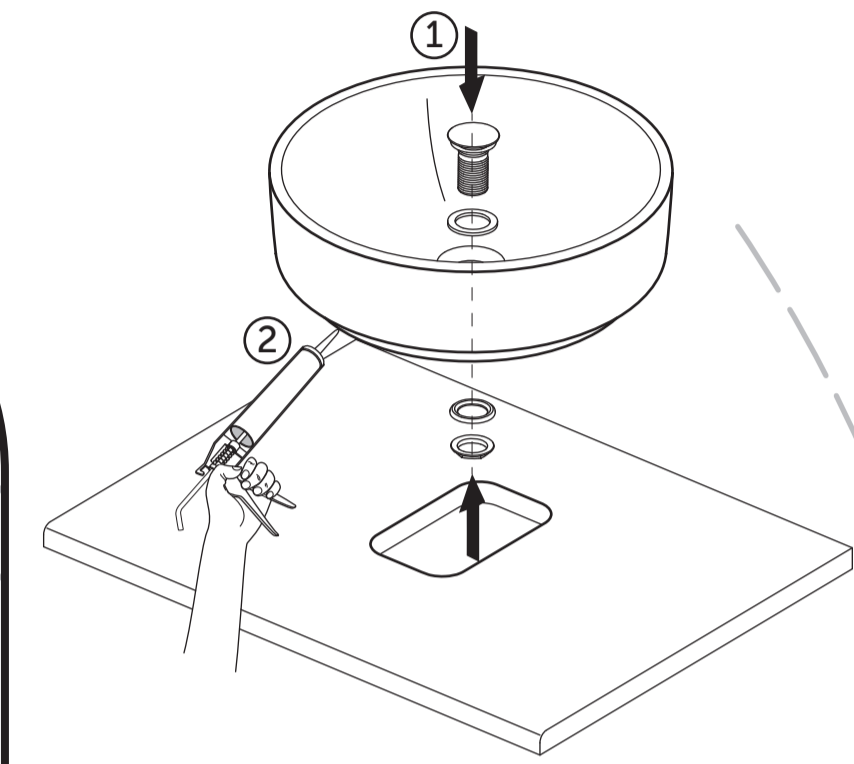


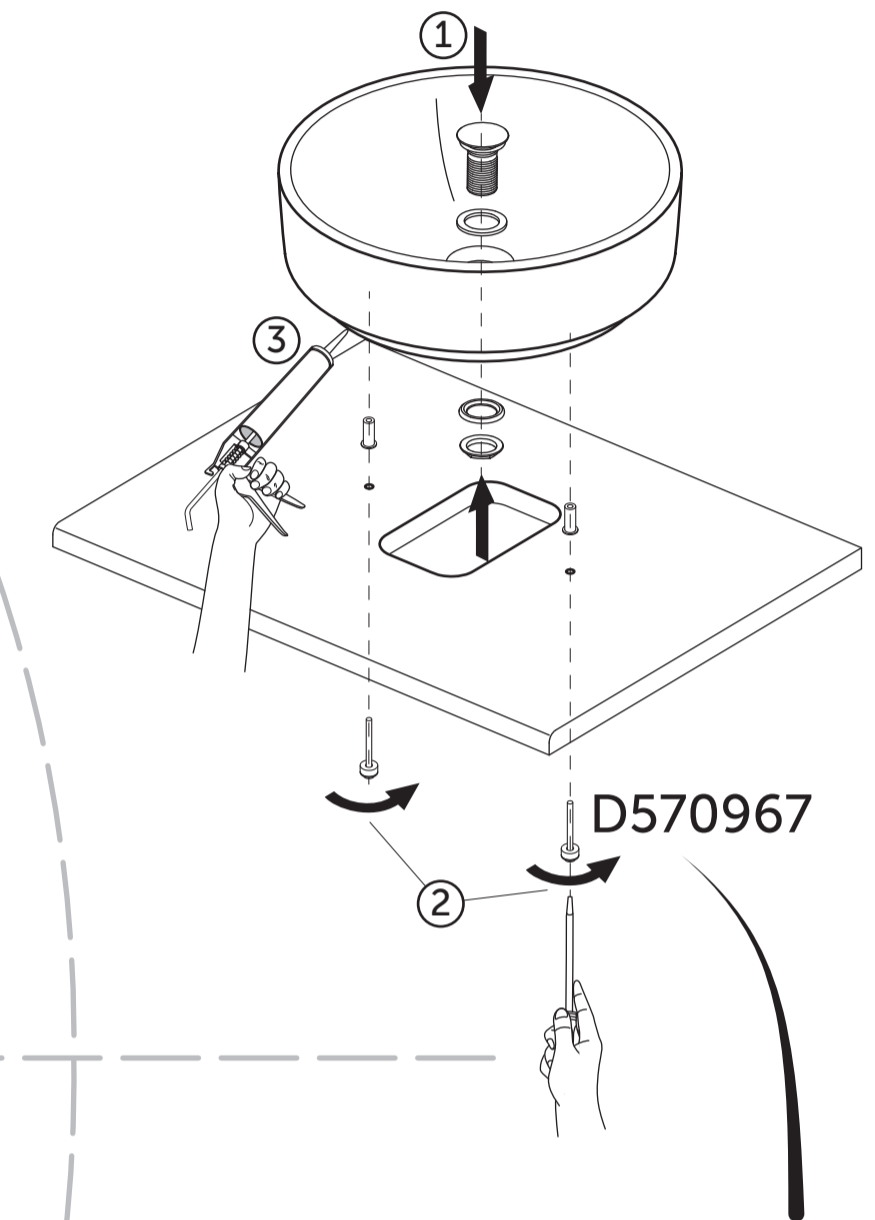

Ideal Standard



A Installation without fixation:



B Installation with fixation (not supplied):



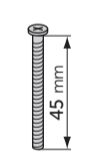
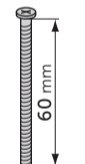




Ø10 ^B

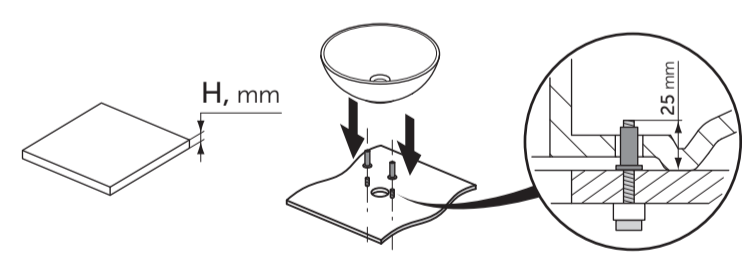
225

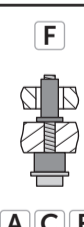
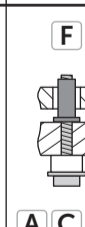
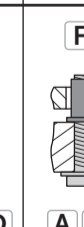
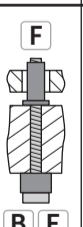
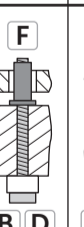
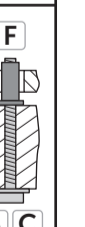
140

275

D570967

A	B	C	D	E	F
					
x 2	x 2	x 2	x 2	x 2	x 2



H, mm	6 - 8	9 - 14	15 - 20	21 - 24	25 - 29	30 - 35
						
	A C E	A C D	A C	B E	B D	B C