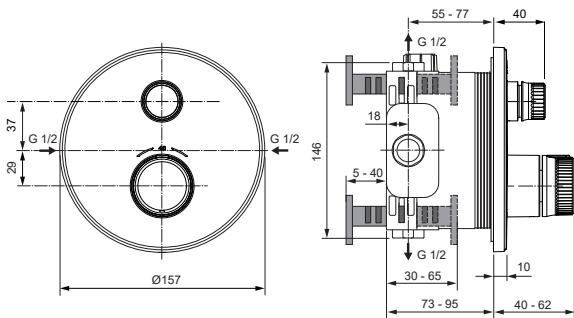
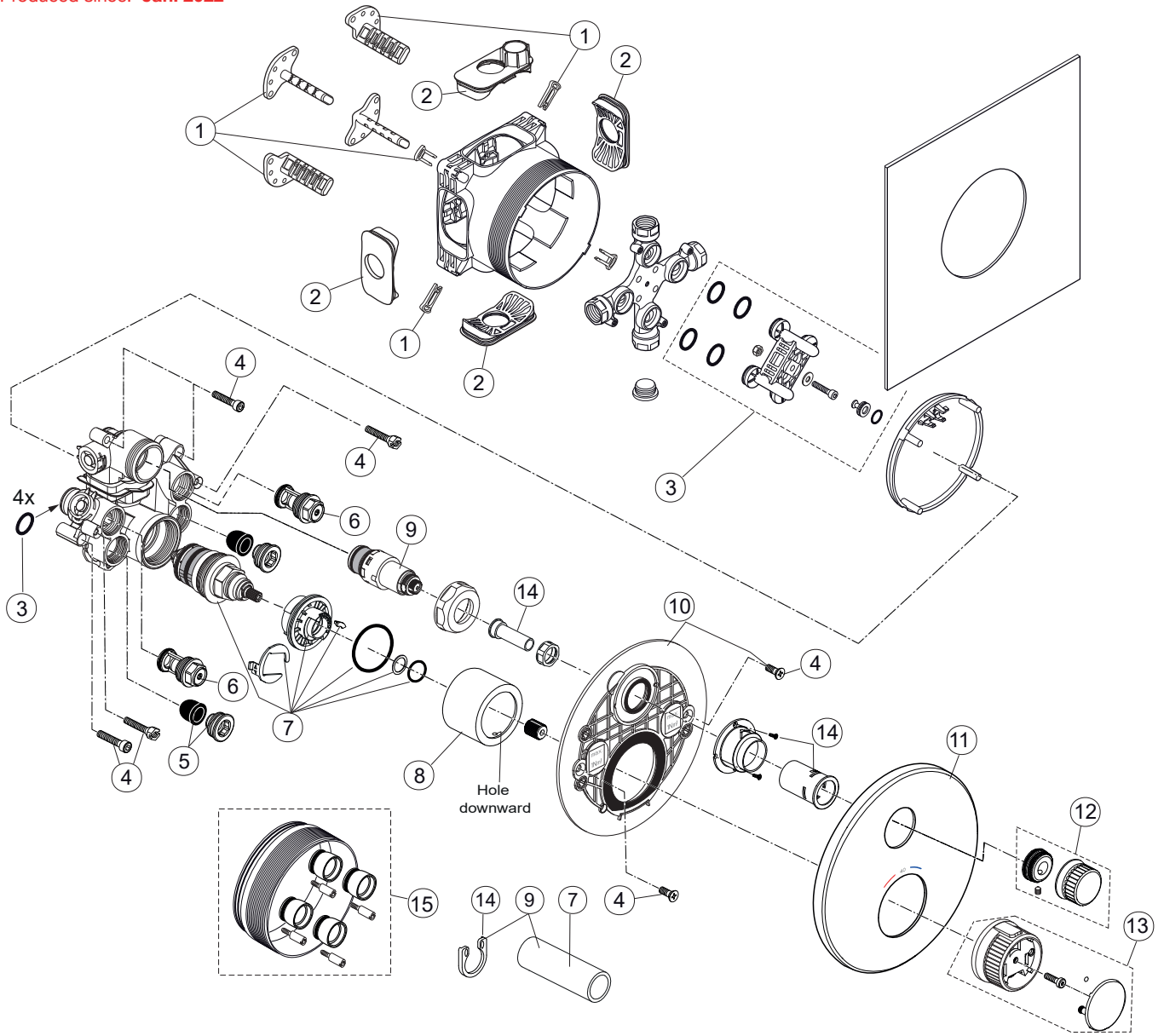


Produced since: Jan. 2022



Replace XX with the appropriate finish code

Chrome = AA Silver Storm = GN Gold = A2 Magnetic Grey = A5

Example spare part order:

A 962 391 AA in Chrome

Pos.	Description	Part-Number	Qty.	Pos.	Description	Part-Number	Qty.
1	Install. depth adjust.	A 963 131 NU	1 Set	11	Escutcheon Ø157	A 861 587 XX	1 pcs
2	Side sealing	A 963 132 NU	1 Set	12	Handle Vol.	A 861 580 XX	1 Set
3	Flushing device cpl.	A 963 146 NU	1 Set	13	Handle Temp.	A 861 581 XX	1 Set
4	Screw set complete	A 960 890 NU*	1 Set	14	Set adjustment	A 861 582 NU*	1 Set
5	Low noise insert	A 960 891 NU	1 pcs				
6	Stop valve	A 960 706 NU	2 pcs	15	Extension kit 20mm	A 960 704 NU	1 Set
7	Cartridge Set	A 861 575 NU	1 Set		Extension kit 40mm	A 962 476 NU	1 Set
8	Cover	A 861 577 XX	1 Set				
9	Push Valve	A 861 576 NU	1 pcs				
10	Escutcheon holder cpl.	A 861 588 NU	1 Set				

*Universal set (not all parts needed)