

Product: **KLUDI TASSO 50 pop up waste DN 40/50**

Ref.: **2152000-00**

Product description

pop up waste DN 40/50
for flat shower tubs
with Ø 52 mm waste hole diameter
with removable siphon trap
50 mm water seal height
approved acc. to DIN EN 274

Finishes:
00

Advertisement

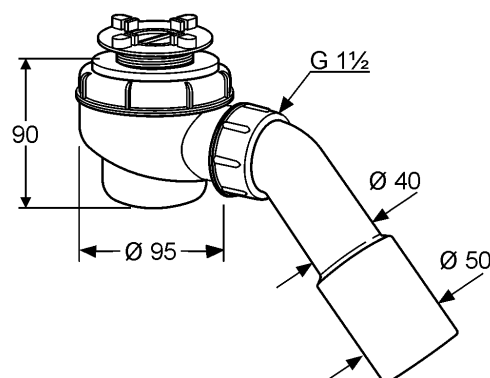
- * KLUDI GmbH & Co KG KLUDI TASSO 50 pop up waste item no. 2152000-00
- ** white plastic (without trim set 7152005-00)
- *** DIN EN 274

pop up waste, manufacturer KLUDI GmbH & Co KG KLUDI TASSO 50 pop up waste item no. 2152000-00, white plastic, concealed parts (rough in), 50 mm water seal height, self cleaning effect, tested in acc. to DIN EN 274, type test LGA Bayern, without trim set KLUDI TASSO 50 item no. 7152005-00, bent outlet DN 40 / 50, overall height 90 mm, for flat shower tubs with Ø 52 mm waste hole diameter, with removable siphon trap, waste flow rate in according to DIN EN 274 = H 1 = 120 mm ~ 31,2 l/min,

Product picture



Dimensional drawing



Flow rate diagram

flow rate reg.
DIN EN 274
H1 = 120 mm

~ 31,2 l/min

