

Technische Daten/ Technical Data

KLUDI DECUS

concealed thermostatic fitting
trim set with functional unit

Ref.: 54739N175

Finishes:

N1 Brushed Bronze PVD

Product description

Manufacturer KLUDI GmbH & Co. KG

Typ: KLUDI DECUS

concealed thermostatic fitting

Ref.: 54739N175

concealed thermostatic fitting

for pre-installation set KLUDI SLIM.BOXX Ref.: 88022

trim set with functional unit

wall mounted

cylindricity handle, metal

without shutt-off-valve

temperature handle with hot water safety at 40°C

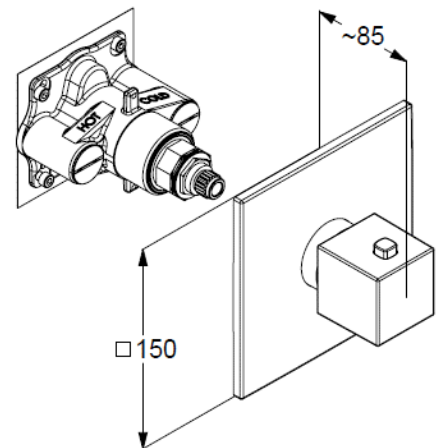
flow rate at 3 bar 40 l/min.

with integrated back flow preventer

Produktabbildung/ Product picture



Maßzeichnung/ Dimensional drawing



Durchfluss/ Flow rate

