

## Technische Daten/ Technical Data

KLUDI NOVA FONTE, EcoPlus  
single lever basin mixer 100  
DN 15  
STYLE: PURA

Ref.: 20289N515

Finishes:  
N5 Stainless Brushed Nickel PVD

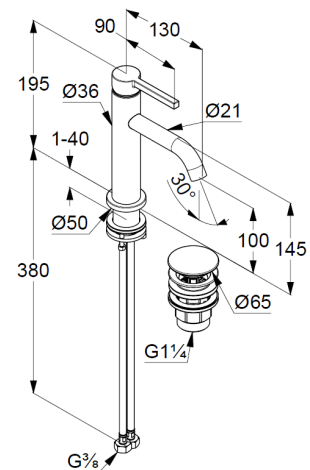
Product description  
Manufacturer KLUDI GmbH & Co. KG  
Typ: KLUDI NOVA FONTE, EcoPlus  
single lever basin mixer 100  
Ref.: 20289N515

basin mixer  
single lever mixer  
1-hole mounted  
solid lever, metal  
aerator, S-Pointer M18,5 PCA  
ceramic cartridge  
middle position cold water  
flow rate at 3 bar 4,5 l/min.  
fixed spout  
flexible hoses G3/8 DVGW approved  
shank-fixing  
push open waste G1 1/4  
for washbasin with overflow  
EU taxonomy: max. 6 l/min. -  
Substantial Contribution (SC) possible

### Produktabbildung/ Product picture



### Maßzeichnung/ Dimensional drawing



### Durchfluss/ Flow rate

